

# aiwa



CDC-X116

CDC-X136

CDC-X1360

CDC-X1400

---

STEREO CAR CD RECEIVER

---

• BASIC CD MECHANISM: TN-CCD1001-113J

• TYPE: YU<X116,X136>  
YL<X1360,X1400>

**SIMPLE MANUAL**

• Replace this Service Manual with "Revision Publishing" when it is issued.

S/M Code No. 09-991-400-5T1

MANUAL  
SERVICE

# ELECTRICAL MAIN PARTS LIST - 1/4

NOTE: The characters in the suffix column indicate the part usage.

116YU .....XX.....A.  
 136YU .....XX.....B.  
 136OYL .....XX.....C.  
 140OYL .....XX.....D.

REF.NO	PARTS NO.	NO.	DESCRIPTION	SUFFIX
C	907	87-010-322-080	C-CAP,S 100P-50 CH	ABCD.....
C	919	87-010-154-080	CAP CHIP 10P	ABCD.....
C	913	87-010-196-080	CHIP CAPACITOR,0.1-25	ABCD.....
C	915	87-010-196-080	CHIP CAPACITOR,0.1-25	ABCD.....
C	918	87-010-322-080	C-CAP,S 100P-50 CH	ABCD.....
C	917	87-010-322-080	C-CAP,S 100P-50 CH	ABCD.....
C	914	87-010-493-040	CAP,E 0.47-50 GAS	ABCD.....
C	916	87-010-553-040	CAP,E 47-16 GAS	ABCD.....
C	911	87-010-555-040	CAP,E 100-10 GAS	ABCD.....
C	910	87-010-555-040	CAP,E 100-10 GAS	ABCD.....
C	920	87-010-149-080	C-CAP,S 5P-50 CH	ABCD.....
C	925	87-010-178-080	CHIP CAP 1000P	ABCD.....
C	921	87-010-194-080	CAP, CHIP 0.047	ABCD.....
C	927	87-010-196-080	CHIP CAPACITOR,0.1-25	ABCD.....
C	921	87-010-322-080	C-CAP,S 100P-50 CH	ABCD.....
D	905	87-020-465-080	DIODE,1SS133 (110MA)	ABCD.....
D	906	87-020-465-080	DIODE,1SS133 (110MA)	ABCD.....
D	907	87-020-465-080	DIODE,1SS133 (110MA)	ABCD.....
D	903	87-020-465-080	DIODE,1SS133 (110MA)	ABCD.....
D	908	87-020-465-080	DIODE,1SS133 (110MA)	ABCD.....
D	901	87-020-465-080	DIODE,1SS133 (110MA)	ABCD.....
D	904	87-020-465-080	DIODE,1SS133 (110MA)	ABCD.....
D	902	87-020-465-080	DIODE,1SS133 (110MA)	ABCD.....
D	909	87-020-465-080	DIODE,1SS133 (110MA)	ABCD.....
D	918	87-017-932-080	ZENER,MTJ6.2B	ABCD.....
D	916	87-017-932-080	ZENER,MTJ6.2B	ABCD.....
D	919	87-017-932-080	ZENER,MTJ6.2B	ABCD.....
D	910	87-020-465-080	DIODE,1SS133 (110MA)	ABCD.....
D	911	87-020-465-080	DIODE,1SS133 (110MA)	ABCD.....
D	912	87-020-465-080	DIODE,1SS133 (110MA)	ABCD.....
D	913	87-020-465-080	DIODE,1SS133 (110MA)	ABCD.....
D	924	87-017-932-080	ZENER,MTJ6.2B	ABCD.....
D	921	87-017-932-080	ZENER,MTJ6.2B	ABCD.....
D	927	87-020-465-080	DIODE,1SS133 (110MA)	ABCD.....
D	928	87-020-465-080	DIODE,1SS133 (110MA)	ABCD.....
D	925	87-020-465-080	DIODE,1SS133 (110MA)	ABCD.....
D	926	87-020-465-080	DIODE,1SS133 (110MA)	ABCD.....
D	929	87-020-465-080	DIODE,1SS133 (110MA)	ABCD.....
D	934	87-020-465-080	DIODE,1SS133 (110MA)	ABCD.....
D	930	87-020-465-080	DIODE,1SS133 (110MA)	ABCD.....
D	931	87-020-465-080	DIODE,1SS133 (110MA)	ABCD.....
D	933	87-020-465-080	DIODE,1SS133 (110MA)	ABCD.....
D	932	87-020-465-080	DIODE,1SS133 (110MA)	ABCD.....
IC	901	87-A21-203-010	C-IC,TC9323F-006	ABCD.....
IC	902	88-KT1-606-080	IC,PST994D	ABCD.....
Q	908	87-026-235-080	CHIP-TR,DTC114EK	ABCD.....
Q	909	87-A30-289-040	C-TR,2SA1037AK(R)	ABCD.....
Q	910	89-324-122-080	TR,2SC2412K	ABCD.....
SW	902	87-A91-152-010	SW,SL 1-1-2 SSSS212-11-A	ABCD.....
SW	901	87-A91-155-010	SW,TACT SKHHLQ	ABCD.....
X	901	87-A70-175-010	VIB,XTAL 4.5MHZ AT-49	ABCD.....
C	204	87-010-176-080	C-CAP,S 680P-50 SL	ABCD.....
C	201	87-010-178-080	CHIP CAP 1000P	ABCD.....
C	203	87-010-196-080	CHIP CAPACITOR,0.1-25	ABCD.....
C	208	87-010-196-080	CHIP CAPACITOR,0.1-25	ABCD.....
C	205	87-010-198-080	CAP, CHIP 0.022	ABCD.....
C	207	87-010-213-080	C-CAP,S 0.015-50 B	ABCD.....
C	209	87-010-552-040	CAP,E 22-16 GAS	ABCD.....
C	206	87-010-805-080	CAP, S 1-16	ABCD.....
C	216	87-010-148-080	CAP, CHIP S 75P SL	ABCD.....
C	217	87-010-194-080	CAP, CHIP 0.047	ABCD.....
C	211	87-010-196-080	CHIP CAPACITOR,0.1-25	ABCD.....
C	213	87-010-196-080	CHIP CAPACITOR,0.1-25	ABCD.....
C	215	87-010-315-080	C-CAP,S 27P-50 CH	ABCD.....
C	210	87-010-498-040	CAP,E 10-16 GAS	ABCD.....
C	212	87-010-553-040	CAP,E 47-16 GAS	ABCD.....
C	214	87-010-553-040	CAP,E 47-16 GAS	ABCD.....
C	218	87-012-140-080	CAP 470P	ABCD.....
C	228	87-010-180-080	C-CER 1500P	ABCD.....
C	227	87-010-196-080	CHIP CAPACITOR,0.1-25	ABCD.....
C	229	87-010-196-080	CHIP CAPACITOR,0.1-25	ABCD.....
C	226	87-010-196-080	CHIP CAPACITOR,0.1-25	ABCD.....
C	224	87-010-196-080	CHIP CAPACITOR,0.1-25	ABCD.....
C	223	87-010-553-040	CAP,E 47-16 GAS	ABCD.....
C	225	87-010-553-040	CAP,E 47-16 GAS	ABCD.....
C	232	87-010-196-080	CHIP CAPACITOR,0.1-25	ABCD.....
C	236	87-010-196-080	CHIP CAPACITOR,0.1-25	ABCD.....
C	237	87-010-198-080	CAP, CHIP 0.022	ABCD.....
C	239	87-010-494-040	CAP,E 1-50 GAS	ABCD.....
C	235	87-010-498-040	CAP,E 10-16 GAS	ABCD.....
C	231	87-010-553-040	CAP,E 47-16 GAS	ABCD.....
C	238	87-010-553-040	CAP,E 47-16 GAS	ABCD.....
C	234	87-010-553-040	CAP,E 47-16 GAS	ABCD.....

# ELECTRICAL MAIN PARTS LIST - 2/4

C	230	87-010-553-040	CAP,E 47-16 GAS	ABCD.....
C	233	87-010-553-040	CAP,E 47-16 GAS	ABCD.....
C	242	87-010-184-080	CHIP CAPACITOR 3300P(K)	ABCD.....
C	241	87-010-184-080	CHIP CAPACITOR 3300P(K)	ABCD.....
C	243	87-010-186-080	CAP,CHIP 4700P	ABCD.....
C	244	87-010-188-080	CAP,CHIP 6800P	ABCD.....
C	240	87-010-196-080	CHIP CAPACITOR,0.1-25	ABCD.....
C	247	87-010-197-080	CAP,CHIP 0.01 DM	ABCD.....
C	246	87-010-197-080	CAP,CHIP 0.01 DM	ABCD.....
C	248	87-010-321-080	CHIP CAPACITOR,82P(J)	ABCD.....
C	249	87-010-321-080	CHIP CAPACITOR,82P(J)	ABCD.....
C	245	87-010-322-080	C-CAP,S 100P-50 CH	ABCD.....
C	255	87-010-196-080	CHIP CAPACITOR,0.1-25	ABCD.....
C	257	87-010-553-040	CAP,E 47-16 GAS	ABCD.....
C	250	87-010-553-040	CAP,E 47-16 GAS	ABCD.....
C	254	87-010-553-040	CAP,E 47-16 GAS	ABCD.....
C	251	87-012-153-080	C-CAP,S 120P-50 CH	ABCD.....
C	253	87-012-153-080	C-CAP,S 120P-50 CH	ABCD.....
C	258	87-012-153-080	C-CAP,S 120P-50 CH	ABCD.....
C	259	87-012-153-080	C-CAP,S 120P-50 CH	ABCD.....
C	264	87-010-494-040	CAP,E 1-50 GAS	ABCD.....
C	266	87-010-494-040	CAP,E 1-50 GAS	ABCD.....
C	269	87-010-553-040	CAP,E 47-16 GAS	ABCD.....
C	268	87-010-553-040	CAP,E 47-16 GAS	ABCD.....
C	262	87-012-153-080	C-CAP,S 120P-50 CH	ABCD.....
C	263	87-012-153-080	C-CAP,S 120P-50 CH	ABCD.....
C	2022	87-010-553-040	CAP,E 47-16 GAS	ABCD.....
CON	201	87-A60-859-010	CONN,12P TKC-F12X-K1	ABCD.....
CON	202	87-A60-860-010	CONN,14P TKC-F14X-K1	ABCD.....
D	201	87-020-465-080	DIODE,1SS133 (110MA)	ABCD.....
D	201	87-A40-344-080	ZENER,MTZJ6.2C	ABCD.....
IC	203	87-017-801-080	IC,TA2058F	ABCD.....
IC	205	87-027-842-080	IC,NJM2904M	ABCD.....
IC	202	87-070-101-010	IC,TC9284AF	ABCD.....
IC	204	87-A20-712-040	C-IC,BA6417F	ABCD.....
IC	201	87-A21-204-010	C-IC,TA2065F	ABCD.....
L	201	87-003-149-080	COIL,47UH	ABCD.....
Q	206	87-026-235-080	CHIP-TR,DTC114EK	ABCD.....
Q	201	87-A30-289-040	C-TR,2SA1037AK(R)	ABCD.....
Q	205	87-A30-289-040	C-TR,2SA1037AK(R)	ABCD.....
Q	204	87-A30-292-010	TR,KTC3205(Y)	ABCD.....
SFR	202	87-024-432-080	SFR,4.7K RH063EC	ABCD.....
SFR	201	87-024-437-080	SFR100K,RH063EC	ABCD.....
X	201	87-A70-178-010	VIB,CER 16.9344MHZ CSA	ABCD.....
C	101	87-010-196-080	CHIP CAPACITOR,0.1-25	ABCD.....
C	102	87-010-196-080	CHIP CAPACITOR,0.1-25	ABCD.....
C	109	87-010-494-040	CAP,E 1-50 GAS	ABCD.....
C	108	87-010-494-040	CAP,E 1-50 GAS	ABCD.....
C	105	87-010-498-040	CAP,E 10-16 GAS	ABCD.....
C	104	87-010-498-040	CAP,E 10-16 GAS	ABCD.....
C	103	87-012-155-080	C-CAP 180P-50CH	ABCD.....
C	119	87-010-196-080	CHIP CAPACITOR,0.1-25	ABCD.....
C	114	87-010-197-080	CAP,CHIP 0.01 DM	ABCD.....
C	115	87-010-495-040	CAP,E 2.2-50 GAS	ABCD.....
C	121	87-010-189-080	C-CAP,S 8200P-50 B	ABCD.....
C	122	87-010-189-080	C-CAP,S 8200P-50 B	ABCD.....
C	120	87-010-197-080	CAP,CHIP 0.01 DM	ABCD.....
C	125	87-012-155-080	C-CAP 180P-50CH	ABCD.....
D	101	88-KC4-607-080	PROTECTOR, DSP-301N-A21F	ABCD.....
L	105	87-003-143-080	COIL 4.7 UH	ABCD.....
L	106	87-003-143-080	COIL 4.7 UH	ABCD.....
Q	101	87-026-235-080	CHIP-TR,DTC114EK	ABCD.....
Q	104	87-026-235-080	CHIP-TR,DTC114EK	ABCD.....
Q	102	87-A30-289-040	C-TR,2SA1037AK(R)	ABCD.....
Q	103	87-A30-289-040	C-TR,2SA1037AK(R)	ABCD.....
Q	106	89-324-122-080	TR,2SC2412K	ABCD.....
Q	105	89-324-122-080	TR,2SC2412K	ABCD.....
Q	111	87-026-235-080	CHIP-TR,DTC114EK	ABCD.....
Q	110	87-A30-289-040	C-TR,2SA1037AK(R)	ABCD.....
TU	101	8Z-KT1-631-010	TU UNIT, FAE347-A02	ABCD.....
C	407	87-010-494-040	CAP,E 1-50 GAS	ABCD.....
C	408	87-010-494-040	CAP,E 1-50 GAS	ABCD.....
C	402	87-010-494-040	CAP,E 1-50 GAS	ABCD.....
C	409	87-010-494-040	CAP,E 1-50 GAS	ABCD.....
C	406	87-010-494-040	CAP,E 1-50 GAS	ABCD.....
C	405	87-010-494-040	CAP,E 1-50 GAS	ABCD.....
C	401	87-010-494-040	CAP,E 1-50 GAS	ABCD.....
C	410	87-010-494-040	CAP,E 1-50 GAS	ABCD.....
C	411	87-010-498-040	CAP,E 10-16 GAS	ABCD.....
C	416	87-010-498-040	CAP,E 10-16 GAS	ABCD.....
C	412	87-010-498-040	CAP,E 10-16 GAS	ABCD.....
C	417	87-010-498-040	CAP,E 10-16 GAS	ABCD.....
C	414	87-010-498-040	CAP,E 10-16 GAS	ABCD.....
C	413	87-010-498-040	CAP,E 10-16 GAS	ABCD.....
C	415	87-010-498-040	CAP,E 10-16 GAS	ABCD.....
C	418	87-010-498-040	CAP,E 10-16 GAS	ABCD.....
C	419	87-010-552-040	CAP,E 22-16 GAS	ABCD.....
C	423	87-010-494-040	CAP,E 1-50 GAS	ABCD.....
C	424	87-010-494-040	CAP,E 1-50 GAS	ABCD.....
C	421	87-010-494-040	CAP,E 1-50 GAS	ABCD.....
C	422	87-010-494-040	CAP,E 1-50 GAS	ABCD.....
C	429	87-010-498-040	CAP,E 10-16 GAS	ABCD.....

# ELECTRICAL MAIN PARTS LIST - 3/4

C	420	87-010-555-040	CAP,E 100-10 GAS	ABCD.....
C	428	87-012-140-080	CAP 470P	ABCD.....
C	427	87-012-140-080	CAP 470P	ABCD.....
C	426	87-012-140-080	CAP 470P	ABCD.....
C	425	87-012-140-080	CAP 470P	ABCD.....
C	431	87-010-184-080	CHIP CAPACITOR 3300P(K)	ABCD.....
C	432	87-010-184-080	CHIP CAPACITOR 3300P(K)	ABCD.....
C	439	87-010-196-080	CHIP CAPACITOR,0.1-25	ABCD.....
C	433	87-010-198-080	CAP, CHIP 0.022	ABCD.....
C	434	87-010-198-080	CAP, CHIP 0.022	ABCD.....
C	430	87-010-498-040	CAP,E 10-16 GAS	ABCD.....
C	435	87-A11-177-080	C-CAP,S 0.15-16 K B	ABCD.....
C	436	87-A11-177-080	C-CAP,S 0.15-16 K B	ABCD.....
C	438	87-A11-177-080	C-CAP,S 0.15-16 K B	ABCD.....
C	437	87-A11-177-080	C-CAP,S 0.15-16 K B	ABCD.....
IC	401	8Z-KT1-622-010	C-IC,LC75374E	ABCD.....
Q	401	87-A30-281-040	C-TR,DTC363TK	ABCD.....
Q	402	87-A30-281-040	C-TR,DTC363TK	ABCD.....
Q	403	87-A30-281-040	C-TR,DTC363TK	ABCD.....
Q	404	87-A30-281-040	C-TR,DTC363TK	ABCD.....
C	558	87-010-178-080	CHIP CAP 1000P	ABCD.....
C	557	87-010-178-080	CHIP CAP 1000P	ABCD.....
C	555	87-010-178-080	CHIP CAP 1000P	ABCD.....
C	556	87-010-178-080	CHIP CAP 1000P	ABCD.....
C	553	87-010-494-040	CAP,E 1-50 GAS	ABCD.....
C	551	87-010-494-040	CAP,E 1-50 GAS	ABCD.....
C	552	87-010-494-040	CAP,E 1-50 GAS	ABCD.....
C	554	87-010-494-040	CAP,E 1-50 GAS	ABCD.....
C	559	87-010-498-040	CAP,E 10-16 GAS	ABCD.....
C	563	87-010-497-040	CAP,E 4.7-35 GAS	ABCD.....
C	560	8Z-KC1-630-090	CAP,E 3300U-16 M 105 EX	ABCD.....
IC	551	87-A20-876-010	IC,HA13158	ABCD.....
C	851	87-010-197-080	CAP, CHIP 0.01 DM	ABCD.....
C	852	87-010-197-080	CAP, CHIP 0.01 DM	ABCD.....
C	857	87-010-322-080	C-CAP,S 100P-50 CH	ABCD.....
C	858	87-010-322-080	C-CAP,S 100P-50 CH	ABCD.....
C	853	87-010-322-080	C-CAP,S 100P-50 CH	ABCD.....
C	859	87-010-322-080	C-CAP,S 100P-50 CH	ABCD.....
C	856	87-010-322-080	C-CAP,S 100P-50 CH	ABCD.....
C	855	87-010-322-080	C-CAP,S 100P-50 CH	ABCD.....
C	854	87-010-322-080	C-CAP,S 100P-50 CH	ABCD.....
C	866	87-010-194-080	CAP, CHIP 0.047	ABCD.....
C	860	87-010-322-080	C-CAP,S 100P-50 CH	ABCD.....
C	862	87-010-498-040	CAP,E 10-16 GAS	ABCD.....
C	864	87-010-498-040	CAP,E 10-16 GAS	ABCD.....
C	861	87-010-498-040	CAP,E 10-16 GAS	ABCD.....
C	865	87-010-555-080	CAP,E 100-10 GAS	ABCD.....
C	869	87-010-555-080	CAP,E 100-10 GAS	ABCD.....
C	868	87-010-555-080	CAP,E 100-10 GAS	ABCD.....
C	867	87-016-044-040	CAP,E 100-16 GAS	ABCD.....
C	871	87-010-197-080	CAP, CHIP 0.01 DM	ABCD.....
C	872	87-010-198-080	CAP, CHIP 0.022	ABCD.....
D	851	87-001-783-080	DIODE,1N4002	ABCD.....
D	857	87-001-783-080	DIODE,1N4002	ABCD.....
D	855	87-017-932-080	ZENER,MTJ6.2B	ABCD.....
D	858	87-070-136-080	ZENER,MTZJ5.1B	ABCD.....
D	852	87-070-136-080	ZENER,MTZJ5.1B	ABCD.....
D	853	87-A40-523-080	ZENER,MTZJ9.1B	ABCD.....
D	854	87-A40-624-080	ZENER,MTZJ10A	ABCD.....
D	861	87-A40-189-080	DIODE,1SR139-400	ABCD.....
L	851	87-003-143-080	COIL 4.7 UH	ABCD.....
L	852	87-003-149-080	COIL,47UH	ABCD.....
L	853	8Z-KT1-615-010	FLTR,AMORPHOUS -CHOKE	ABCD.....
Q	852	87-026-235-080	CHIP-TR,DTC114EK	ABCD.....
Q	854	87-026-235-080	CHIP-TR,DTC114EK	ABCD.....
Q	858	87-A30-298-010	TR,2SD2396	ABCD.....
Q	853	87-A30-299-010	TR,2SB1326	ABCD.....
Q	851	87-A30-300-010	TR,2SB1277	ABCD.....
Q	859	87-A30-301-010	TR,2SD1862	ABCD.....
Q	855	87-A30-302-040	C-TR,2SD1758-F5	ABCD.....
Q	860	87-A30-289-040	C-TR,2SA1037AK(R)	ABCD.....
Q	861	89-324-122-080	TR,2SC2412K	ABCD.....
CON	851	8Z-KT1-611-010	CONN,16P CAM-B51	ABCD.....
J	101	8Z-KT1-614-010	ANT,AW-002	ABCD.....
J	751	88-KTA-604-010	JACK,PIN 4P V-TYPE	.B.....
J	751	88-KTA-605-010	JACK,PIN 2P V-TYPE	A.CD.....
C	801	87-010-176-080	C-CAP,S 680P-50 SL	ABCD.....
C	803	87-010-178-080	CHIP CAP 1000P	ABCD.....
C	802	87-010-196-080	CHIP CAPACITOR,0.1-25	ABCD.....
C	804	87-010-196-080	CHIP CAPACITOR,0.1-25	ABCD.....
C	805	87-010-374-010	CAP, ELECT 47-10V	ABCD.....
D	804	87-020-585-080	CHIP-ZENER,02CZ6.2Y	ABCD.....
D	809	87-020-585-080	CHIP-ZENER,02CZ6.2Y	ABCD.....
D	807	87-020-585-080	CHIP-ZENER,02CZ6.2Y	ABCD.....
D	803	87-020-585-080	CHIP-ZENER,02CZ6.2Y	ABCD.....
D	808	87-020-585-080	CHIP-ZENER,02CZ6.2Y	ABCD.....
D	805	87-020-585-080	CHIP-ZENER,02CZ6.2Y	ABCD.....
D	801	87-020-585-080	CHIP-ZENER,02CZ6.2Y	ABCD.....
D	806	87-020-585-080	CHIP-ZENER,02CZ6.2Y	ABCD.....
D	802	87-020-585-080	CHIP-ZENER,02CZ6.2Y	ABCD.....
D	810	87-020-584-080	CHIP-ZENER,02CZ5.6Y	ABCD.....
D	811	87-020-585-080	CHIP-ZENER,02CZ6.2Y	ABCD.....

# ELECTRICAL MAIN PARTS LIST - 4/4

IC	802	87-A90-951-010	RCR UNIT,SBX1971-52	..CD.....
IC	801	88-KTD-602-010	C-IC,TC9297F	ABCD.....
J	451	87-A60-249-010	JACK,MOJ-B32	ABCD.....
LCD	801	8Z-KCG-605-010	LCD,ZKC-G	ABCD.....
PL	808	8Z-KT1-641-010	LAMP,T-3	ABCD.....
PL	801	8Z-KT1-641-010	LAMP,T-3	ABCD.....
PL	809	8Z-KT1-641-010	LAMP,T-3	ABCD.....
PL	803	8Z-KT1-641-010	LAMP,T-3	ABCD.....
PL	802	8Z-KT1-641-010	LAMP,T-3	ABCD.....
PL	805	8Z-KT1-641-010	LAMP,T-3	ABCD.....
PL	807	8Z-KT1-641-010	LAMP,T-3	ABCD.....
PL	806	8Z-KT1-641-010	LAMP,T-3	ABCD.....
PL	804	8Z-KT1-641-010	LAMP,T-3	ABCD.....
Q	801	89-324-122-080	TR,2SC2412K	ABCD.....
SW	803	87-A90-001-080	C-SW,TACT SKQMAL	ABCD.....
SW	809	87-A90-001-080	C-SW,TACT SKQMAL	ABCD.....
SW	808	87-A91-159-010	SW,TACT SKHLAD	ABCD.....
SW	801	87-A91-159-010	SW,TACT SKHLAD	ABCD.....
SW	804	87-A91-159-010	SW,TACT SKHLAD	ABCD.....
SW	802	87-A91-159-010	SW,TACT SKHLAD	ABCD.....
SW	807	87-A91-159-010	SW,TACT SKHLAD	ABCD.....
SW	806	87-A91-159-010	SW,TACT SKHLAD	ABCD.....
SW	805	87-A91-159-010	SW,TACT SKHLAD	ABCD.....
SW	819	87-A90-001-080	C-SW,TACT SKQMAL	ABCD.....
SW	818	87-A90-001-080	C-SW,TACT SKQMAL	ABCD.....
SW	814	87-A90-001-080	C-SW,TACT SKQMAL	ABCD.....
SW	812	87-A91-159-010	SW,TACT SKHLAD	ABCD.....
SW	811	87-A91-159-010	SW,TACT SKHLAD	ABCD.....
SW	813	87-A91-159-010	SW,TACT SKHLAD	ABCD.....
SW	810	87-A91-159-010	SW,TACT SKHLAD	ABCD.....
SW	816	87-A91-159-010	SW,TACT SKHLAD	ABCD.....
SW	815	87-A91-159-010	SW,TACT SKHLAD	ABCD.....
SW	817	87-A91-159-010	SW,TACT SKHLAD	ABCD.....
SW	821	87-A90-001-080	C-SW,TACT SKQMAL	ABCD.....
SW	820	87-A91-159-010	SW,TACT SKHLAD	ABCD.....

# MECHANICAL PARTS LIST - 1/1

NOTE: The characters in the suffix column indicate the part usage.

116YU .....XX.....A.....  
 136YU .....XX.....B.....  
 1360YL .....XX.....C.....  
 1400YL .....XX.....D.....

REF.NO	PARTS NO.	KANRI NO.	DESCRIPTION	SUFFIX
	8Z-KC2-002-010		CABI, REAR -C2	ABCD.....
	8Z-KC2-011-010		CABI, BASE -C2	ABCD.....
	8Z-KC2-012-010		CABI, TRIM -C2	ABCD.....
	8Z-KC3-003-010		RING, OVAL T-C	ABCD.....
	8Z-KCF-011-010		CABI, FRONT -C15	ABCD.....
	8Z-KCG-001-010		WINDOW, LCD NH -C16	A.....
	8Z-KCG-004-010		WINDOW, LCD X136 NIR	.B.....
	8Z-KCG-005-010		WINDOW, LCD X1400	...D.....
	8Z-KCG-006-010		WINDOW, LCD X1360	...C.....
	8Z-KC1-006-010		BTN, P.SET -C	ABCD.....
	8Z-KC1-007-010		BTN, +/- -C	ABCD.....
	8Z-KC1-008-010		BTN, SEL -C	ABCD.....
	8Z-KC1-009-010		BTN, MUTE -C	ABCD.....
	8Z-KC1-010-010		BTN, H-BASS -C	ABCD.....
	8Z-KC1-011-010		BTN, U/D -C	ABCD.....
	8Z-KC2-004-010		BTN, PWR -C2	ABCD.....
	8Z-KC2-005-010		BTN, EJ -C2	ABCD.....
	8Z-KC2-008-010		BTN, DETACH -C2	ABCD.....
	8Z-KC5-007-010		BTN, M. INF -C	ABCD.....
	8Z-KCG-002-010		BTN, TETRA BADC -C	ABCD.....
	8Z-KCG-007-010		BTN, T/M IN -C	ABCD.....
	8Z-KC1-209-010		LENS, IR -C	...CD.....
	8Z-KC1-211-010		COVER, TOP -C	ABCD.....
	8Z-KC1-212-010		COVER, BOTTOM -C	ABCD.....
	8Z-KC1-213-010		CHAS, SIDE L -C	ABCD.....
	8Z-KC1-214-010		CHAS, SIDE R -C	ABCD.....
	8Z-KC1-215-010		HLDR, P-IC -C	.BCD.....
	8Z-KC1-219-010		HLDR, TR -C	ABCD.....
	8Z-KC1-220-010		HLDR, JACK -C	.B.....
	8Z-KC1-249-010		COVER, DUST F-C	ABCD.....
	8Z-KC1-255-010		HLDR, TR -CA	ABCD.....
	8Z-KC2-202-010		HLDR, LCD -C2	ABCD.....
	8Z-KC2-203-010		LEVER, DFP HOOK -C2	ABCD.....
	8Z-KC2-204-010		LEVER, DFP LOCK -C2	ABCD.....
	8Z-KC2-211-010		CASE, LCD LENS -C2	ABCD.....
	8Z-KC2-212-010		LENS, LCD -C2	ABCD.....
	8Z-KC2-213-010		LENS, L -C2	ABCD.....
	8Z-KC2-214-010		LENS, R -C2	ABCD.....
	8Z-KC2-217-010		HLDR, JACK -C2	A. CD.....
	8Z-KC2-221-010		SPR-C, DETACH HOOK-C2	ABCD.....
	8Z-KC2-222-010		SPR-T, DETACH LOCK-C2	ABCD.....
	8Z-KC3-201-010		COVER, CD BLIND -C	ABCD.....
	8Z-KC5-020-010		HLDR, M. INF -C	ABCD.....
	8Z-KC7-201-010		COVER, ISO BLIND -C	ABCD.....
	8Z-KCH-202-010		HLDR, P-IC -C17	A.....
	8Z-KT1-236-010		CAP, LAMP BLU	ABCD.....
	8Z-KT1-237-010		CAP, LAMP GRN	ABCD.....
	87-251-073-410		SCREW, U+2.6-6	ABCD.....
	87-251-075-410		U+2.6-10	ABCD.....
	87-251-096-410		U+3-10	ABCD.....
	87-B10-210-010		UT2+3.0-6.0 W/0 SLOT (BH TAP)	ABCD.....
	8Z-KC1-251-010		S-SCREW, TH2.6-4.0-0.8	ABCD.....
	8Z-KC1-253-010		S-SCREW, PT 2*8 BH+ BLK	ABCD.....
	8Z-KC1-254-010		S-SCREW, PT 2*5 BH+ BLK	ABCD.....

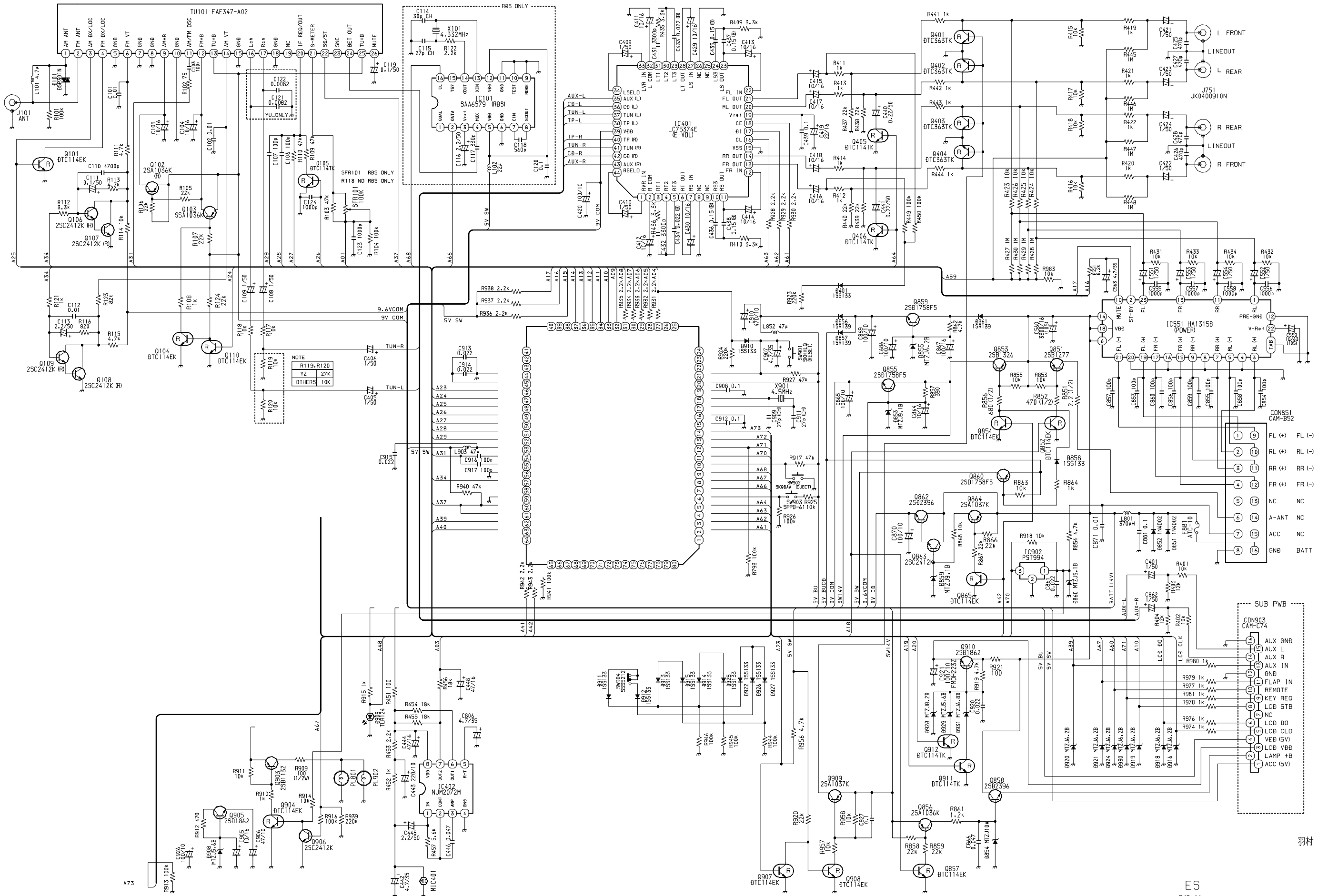
# ACCESSORIES / PACKAGE LIST - 1/1

NOTE: The characters in the suffix column indicate the part usage.

116YU .....XX.....A.....  
 136YU .....XX.....B.....  
 1360YL .....XX.....C.....  
 1400YL .....XX.....D.....

REF.NO	PARTS NO.	KANRI NO.	DESCRIPTION	SUFFIX
	8Z-KCG-901-010		IB,YU(3L) 116	A.....
	8Z-KCG-902-010		IB,INST,YU (3L)116	A.....
	8Z-KCG-903-010		IB,YU(3L) 136	.B.....
	8Z-KCG-904-010		IB,INST,YU (3L)136	.B.....
	8Z-KCG-905-010		IB,YL(3L) 1360/1400	..CD.....
	8Z-KCG-906-010		IB,INST,YL (3L)1360/1400	..CD.....
	87-251-073-410		SCREW,U+2.6-6	ABCD.....
	87-B10-141-010		NUT,5 TYPE-2	ABCD.....
	87-B10-143-010		UT1+5-15 W/O SLOT	ABCD.....
	87-B10-144-010		W,5.2-10-0.5	ABCD.....
	87-B10-145-010		W-SPR,5.3-8.5-1.5	ABCD.....
	8Z-KC1-030-010		CASE,DFP -C	ABCD.....
	8Z-KC1-231-010		HLDR,HALF -C	ABCD.....
	8Z-KC1-232-010		KEY,REMOVE -C	ABCD.....
	8Z-KC1-235-010		HLDR,REAR MTG	ABCD.....
	8Z-KC1-244-010		S-SCREW,5*6 TH+ TAPPING ST	ABCD.....
	8Z-KC1-250-010		S-SCREW,HEXAGON	ABCD.....
	8Z-KC7-691-010		RC UNIT,CD1	...D.....
	8Z-KT1-616-010		CONN ASSY,16P B52	ABCD.....

SCHEMATIC DIAGRAM - 1 (MAIN)

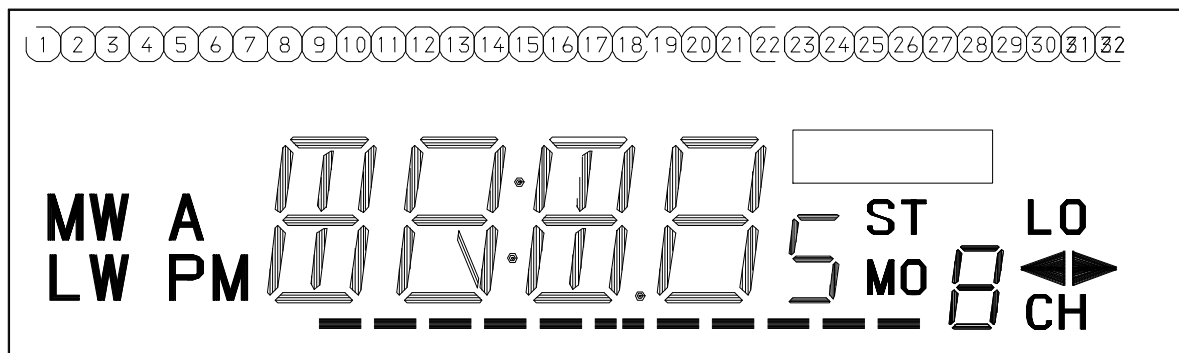
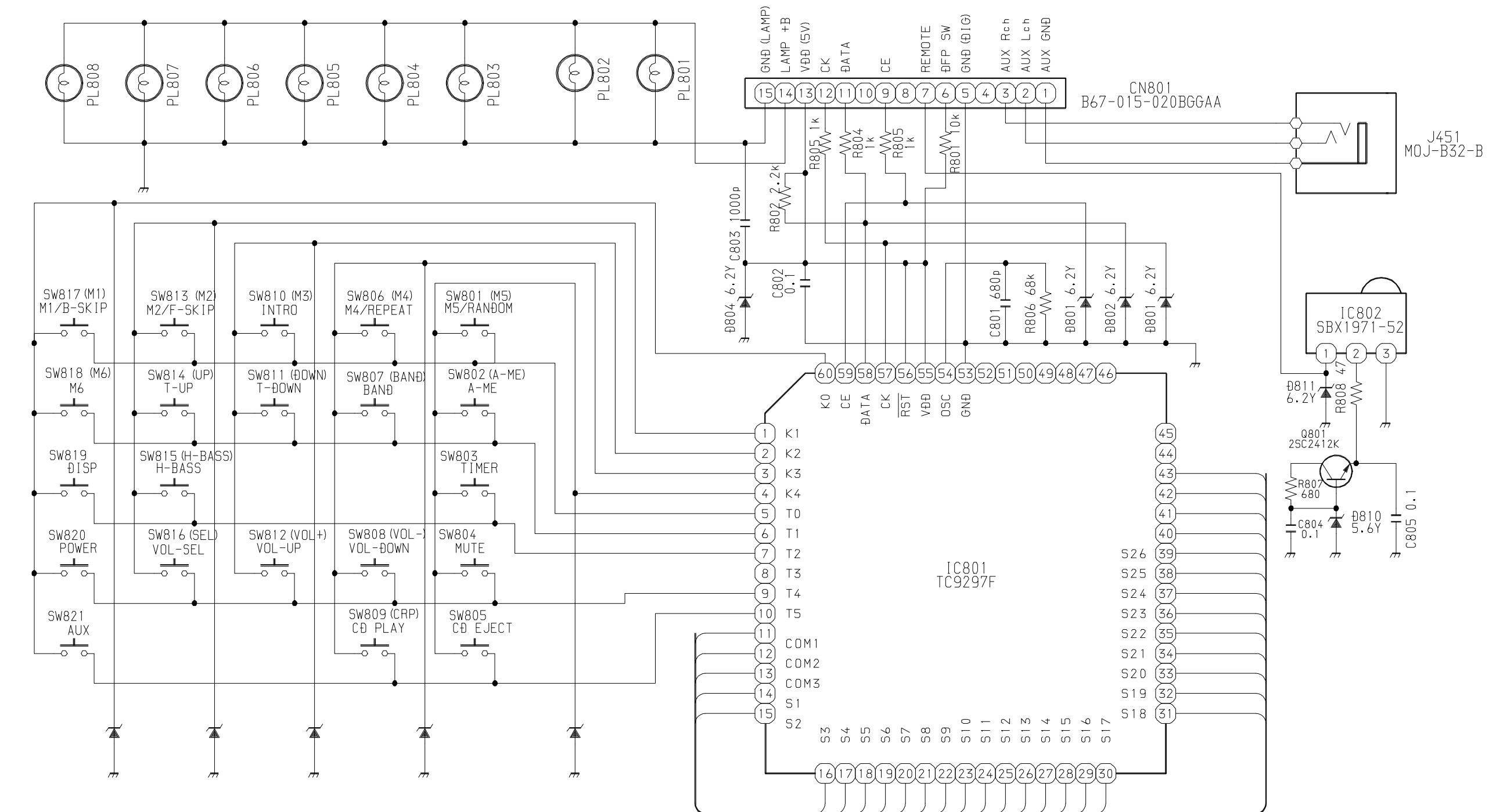


ZKC-16 (P1)

ES  
ZKC-16



SCHEMATIC DIAGRAM - 2 (FRONT)



LCD801

サービス技術ニュース	
番号	連絡内容
G- -	
G- -	
G- -	

**アイワ株式会社**  
**AIWA CO.,LTD.**

9420025

Tokyo Japan

〒110-8710 東京都台東区池之端1-2-11 ☎03(3827)3111 (代表)

Printed in Singapore