

# aiwa



## CT-FR720M CT-FR729M

---

STEREO CAR  
CASSETTE RECEIVER

---

• TYPE: YZ

**SIMPLE MANUAL**

• Replace this Service Manual with "Revision Publishing" when it is issued.

S/M Code No. 09-993-412-4T1

MANUAL  
SERVICE

# ELECTRICAL MAIN PARTS LIST - 1/4

NOTE: The characters in the suffix column indicate the part usage.

ZSTC .....XX.....A  
 9ZSC .....XX.....B  
 9Z1S .....XX.....C

| REF.NO | PARTS NO. | KANRI NO.      | DESCRIPTION               | SUFFIX   |
|--------|-----------|----------------|---------------------------|----------|
| C      | 634       | 87-010-198-080 | CAP, CHIP 0.022           | ABC..... |
| C      | 703       | 87-010-196-080 | CHIP CAPACITOR,0.1-25     | ABC..... |
| C      | 704       | 87-010-196-080 | CHIP CAPACITOR,0.1-25     | ABC..... |
| C      | 701       | 87-010-314-080 | C-CAP,S 22P-50V           | ABC..... |
| C      | 702       | 87-010-315-080 | C-CAP,S 27P-50 CH         | ABC..... |
| C      | 705       | 87-010-490-040 | CAP, ELECT 0.1-50         | ABC..... |
| C      | 751       | 87-010-178-080 | CHIP CAP 1000P            | ABC..... |
| C      | 753       | 87-010-178-080 | CHIP CAP 1000P            | ABC..... |
| C      | 754       | 87-010-197-080 | CAP, CHIP 0.01 DM         | ABC..... |
| C      | 752       | 87-010-322-080 | C-CAP,S 100P-50 CH        | ABC..... |
| D      | 701       | 87-020-331-080 | CHIP-DIODE,DAN202K        | ABC..... |
| D      | 702       | 87-027-262-010 | LEDE,TLR-124(RED)         | ABC..... |
| D      | 758       | 87-020-331-080 | CHIP-DIODE,DAN202K        | ABC..... |
| D      | 757       | 87-020-331-080 | CHIP-DIODE,DAN202K        | ABC..... |
| D      | 755       | 87-020-331-080 | CHIP-DIODE,DAN202K        | ABC..... |
| D      | 760       | 87-020-331-080 | CHIP-DIODE,DAN202K        | ABC..... |
| D      | 762       | 87-020-331-080 | CHIP-DIODE,DAN202K        | ABC..... |
| IC     | 701       | 87-A21-194-010 | C-IC,UPD178016AGC-527-3B9 | ABC..... |
| L      | 631       | 87-003-149-080 | COIL,47UH                 | ABC..... |
| Q      | 703       | 87-A30-287-040 | C-TR,DTC114TKA            | ABC..... |
| SW     | 703       | 87-036-109-010 | PUSH SWITCH               | ABC..... |
| SW     | 701       | 87-A91-155-010 | SW,TACT SKHHLQ            | ABC..... |
| X      | 701       | 87-A70-175-010 | VIB,XTAL 4.5MHZ AT-49     | ABC..... |
| C      | 201       | 87-010-178-080 | CHIP CAP 1000P            | ABC..... |
| C      | 202       | 87-010-178-080 | CHIP CAP 1000P            | ABC..... |
| C      | 211       | 87-010-494-040 | CAP,E 1-50 GAS            | ABC..... |
| C      | 212       | 87-010-494-040 | CAP,E 1-50 GAS            | ABC..... |
| C      | 228       | 87-010-196-080 | CHIP CAPACITOR,0.1-25     | ABC..... |
| C      | 226       | 87-010-555-040 | CAP,E 100-10 GAS          | ABC..... |
| C      | 237       | 87-010-198-080 | CAP, CHIP 0.022           | ABC..... |
| C      | 238       | 87-010-198-080 | CAP, CHIP 0.022           | ABC..... |
| C      | 233       | 87-010-498-040 | CAP,E 10-16 GAS           | ABC..... |
| C      | 234       | 87-010-498-040 | CAP,E 10-16 GAS           | ABC..... |
| C      | 235       | 87-010-555-040 | CAP,E 100-10 GAS          | ABC..... |
| C      | 236       | 87-010-555-040 | CAP,E 100-10 GAS          | ABC..... |
| C      | 251       | 87-010-196-080 | CHIP CAPACITOR,0.1-25     | ABC..... |
| C      | 253       | 87-010-497-040 | CAP,E 4.7-35 GAS          | ABC..... |
| C      | 254       | 87-010-553-040 | CAP,E 47-16 GAS           | ABC..... |
| C      | 255       | 87-010-553-040 | CAP,E 47-16 GAS           | ABC..... |
| C      | 252       | 87-A10-924-040 | CAP,E 47-16 BP SME        | ABC..... |
| CNA    | 251       | 8Z-KT1-634-010 | CONN ASSY,10P DECK-1      | ABC..... |
| CNA    | 252       | 8Z-KT1-635-010 | CONN ASSY,5P DECK-2       | ABC..... |
| D      | 251       | 87-017-932-080 | ZENER,MTJ6.2B             | ABC..... |
| D      | 252       | 87-020-331-080 | CHIP-DIODE,DAN202K        | ABC..... |
| D      | 253       | 87-020-331-080 | CHIP-DIODE,DAN202K        | ABC..... |
| IC     | 202       | 87-A21-191-010 | IC,KIA6225S               | ABC..... |
| IC     | 251       | 88-KT1-604-010 | IC,TA7291P                | ABC..... |
| Q      | 253       | 87-A30-283-040 | C-TR,DTA114YKA            | ABC..... |
| Q      | 254       | 87-A30-287-040 | C-TR,DTC114TKA            | ABC..... |
| Q      | 252       | 87-A30-287-040 | C-TR,DTC114TKA            | ABC..... |
| Q      | 256       | 87-A30-287-040 | C-TR,DTC114TKA            | ABC..... |
| Q      | 255       | 87-A30-295-010 | TR,KRA226M                | ABC..... |
| Q      | 251       | 87-A30-295-010 | TR,KRA226M                | ABC..... |
| C      | 401       | 87-010-494-040 | CAP,E 1-50 GAS            | ABC..... |
| C      | 402       | 87-010-494-040 | CAP,E 1-50 GAS            | ABC..... |
| D      | 413       | 87-017-932-080 | ZENER,MTJ6.2B             | ABC..... |
| D      | 416       | 87-017-932-080 | ZENER,MTJ6.2B             | ABC..... |
| D      | 417       | 87-017-932-080 | ZENER,MTJ6.2B             | ABC..... |
| D      | 414       | 87-017-932-080 | ZENER,MTJ6.2B             | ABC..... |
| D      | 412       | 87-017-932-080 | ZENER,MTJ6.2B             | ABC..... |
| D      | 415       | 87-017-932-080 | ZENER,MTJ6.2B             | ABC..... |
| J      | 401       | 8Z-KT1-618-010 | JACK,DIN 13 P TCS5116     | ABC..... |
| Q      | 411       | 87-A30-283-040 | C-TR,DTA114YKA            | ABC..... |
| Q      | 412       | 87-A30-287-040 | C-TR,DTC114TKA            | ABC..... |
| C      | 101       | 87-010-178-080 | CHIP CAP 1000P            | ABC..... |
| C      | 102       | 87-010-186-080 | CAP,CHIP 4700P            | ABC..... |
| C      | 104       | 87-010-197-080 | CAP, CHIP 0.01 DM         | ABC..... |
| C      | 106       | 87-010-198-080 | CAP, CHIP 0.022           | ABC..... |
| C      | 108       | 87-010-322-080 | C-CAP,S 100P-50 CH        | ABC..... |
| C      | 103       | 87-010-490-040 | CAP, ELECT 0.1-50         | ABC..... |
| C      | 105       | 87-010-495-040 | CAP,E 2.2-50 GAS          | ABC..... |
| C      | 107       | 87-010-552-040 | CAP,E 22-16 GAS           | ABC..... |
| C      | 109       | 87-010-553-040 | CAP,E 47-16 GAS           | ABC..... |
| C      | 114       | 87-010-178-080 | CHIP CAP 1000P            | ABC..... |
| C      | 115       | 87-010-196-080 | CHIP CAPACITOR,0.1-25     | ABC..... |
| C      | 119       | 87-010-196-080 | CHIP CAPACITOR,0.1-25     | ABC..... |
| C      | 116       | 87-010-197-080 | CAP, CHIP 0.01 DM         | ABC..... |
| C      | 111       | 87-010-197-080 | CAP, CHIP 0.01 DM         | ABC..... |
| C      | 117       | 87-010-198-080 | CAP, CHIP 0.022           | ABC..... |
| C      | 110       | 87-010-553-040 | CAP,E 47-16 GAS           | ABC..... |
| C      | 123       | 87-010-197-080 | CAP, CHIP 0.01 DM         | ABC..... |
| C      | 121       | 87-010-213-080 | C-CAP,S 0.015-50 B        | ABC..... |
| C      | 122       | 87-010-213-080 | C-CAP,S 0.015-50 B        | ABC..... |
| C      | 131       | 87-010-196-080 | CHIP CAPACITOR,0.1-25     | ABC..... |

# ELECTRICAL MAIN PARTS LIST - 2/4

|     |     |                |                           |          |
|-----|-----|----------------|---------------------------|----------|
| C   | 132 | 87-010-198-080 | CAP, CHIP 0.022           | ABC..... |
| C   | 133 | 87-010-553-040 | CAP,E 47-16 GAS           | ABC..... |
| C   | 144 | 87-010-182-080 | C-CAP,S 2200P-50 B        | ABC..... |
| C   | 143 | 87-010-182-080 | C-CAP,S 2200P-50 B        | ABC..... |
| C   | 147 | 87-010-494-040 | CAP,E 1-50 GAS            | ABC..... |
| C   | 148 | 87-010-494-040 | CAP,E 1-50 GAS            | ABC..... |
| C   | 141 | 87-010-498-040 | CAP,E 10-16 GAS           | ABC..... |
| C   | 142 | 87-010-498-040 | CAP,E 10-16 GAS           | ABC..... |
| D   | 101 | 87-020-331-080 | CHIP-DIODE,DAN202K        | ABC..... |
| D   | 102 | 87-020-331-080 | CHIP-DIODE,DAN202K        | ABC..... |
| D   | 131 | 87-070-334-080 | ZENER,MTZJ10B             | ABC..... |
| J   | 101 | 8Z-KT1-614-010 | ANT,AW-002                | ABC..... |
| L   | 101 | 87-003-143-080 | COIL 4.7 UH               | ABC..... |
| L   | 102 | 8Z-KT1-619-010 | COIL,68MH K7-D            | ABC..... |
| Q   | 109 | 87-A30-287-040 | C-TR,DTC114TKA            | ABC..... |
| Q   | 107 | 87-A30-288-040 | C-TR,DTC114YKA            | ABC..... |
| Q   | 105 | 87-A30-289-040 | C-TR,2SA1037AK(R)         | ABC..... |
| Q   | 103 | 89-324-122-080 | TR,2SC2412K               | ABC..... |
| Q   | 104 | 89-324-122-080 | TR,2SC2412K               | ABC..... |
| Q   | 106 | 89-324-122-080 | TR,2SC2412K               | ABC..... |
| Q   | 101 | 89-324-122-080 | TR,2SC2412K               | ABC..... |
| Q   | 102 | 89-324-122-080 | TR,2SC2412K               | ABC..... |
| Q   | 131 | 87-A30-293-010 | TR,KTC2804(Y)             | ABC..... |
| SFR | 101 | 87-024-437-080 | SFR100K,RH063EC           | ABC..... |
| TU  | 101 | 8Z-KT1-631-010 | TU UNIT, FAE347-A02       | ABC..... |
| C   | 155 | 87-010-175-080 | CAP 560P                  | ABC..... |
| C   | 156 | 87-010-196-080 | CHIP CAPACITOR,0.1-25     | ABC..... |
| C   | 152 | 87-010-315-080 | C-CAP,S 27P-50 CH         | ABC..... |
| C   | 153 | 87-010-495-040 | CAP,E 2.2-50 GAS          | ABC..... |
| C   | 151 | 87-012-149-080 | C-CAP,S 30P-50 CH         | ABC..... |
| C   | 154 | 87-012-157-080 | C-CAP,S 330P-50 CH        | ABC..... |
| IC  | 151 | 88-KT1-607-080 | C-IC,SAA6579T             | ABC..... |
| L   | 151 | 87-003-147-080 | COIL, 22UH                | ABC..... |
| X   | 151 | 87-A70-091-010 | VIB,XTAL 4.332MHZ CSA-309 | ABC..... |
| C   | 306 | 87-010-184-080 | CHIP CAPACITOR 3300P(K)   | ABC..... |
| C   | 305 | 87-010-184-080 | CHIP CAPACITOR 3300P(K)   | ABC..... |
| C   | 308 | 87-010-198-080 | CAP, CHIP 0.022           | ABC..... |
| C   | 307 | 87-010-198-080 | CAP, CHIP 0.022           | ABC..... |
| C   | 302 | 87-010-494-040 | CAP,E 1-50 GAS            | ABC..... |
| C   | 301 | 87-010-494-040 | CAP,E 1-50 GAS            | ABC..... |
| C   | 304 | 87-010-498-040 | CAP,E 10-16 GAS           | ABC..... |
| C   | 303 | 87-010-498-040 | CAP,E 10-16 GAS           | ABC..... |
| C   | 309 | 87-010-498-040 | CAP,E 10-16 GAS           | ABC..... |
| C   | 315 | 87-010-498-040 | CAP,E 10-16 GAS           | ABC..... |
| C   | 310 | 87-010-498-040 | CAP,E 10-16 GAS           | ABC..... |
| C   | 316 | 87-010-498-040 | CAP,E 10-16 GAS           | ABC..... |
| C   | 314 | 87-A11-177-080 | C-CAP,S 0.15-16 K B       | ABC..... |
| C   | 311 | 87-A11-177-080 | C-CAP,S 0.15-16 K B       | ABC..... |
| C   | 313 | 87-A11-177-080 | C-CAP,S 0.15-16 K B       | ABC..... |
| C   | 312 | 87-A11-177-080 | C-CAP,S 0.15-16 K B       | ABC..... |
| C   | 321 | 87-010-196-080 | CHIP CAPACITOR,0.1-25     | ABC..... |
| C   | 323 | 87-010-196-080 | CHIP CAPACITOR,0.1-25     | ABC..... |
| C   | 324 | 87-010-552-040 | CAP,E 22-16 GAS           | ABC..... |
| C   | 322 | 87-010-555-040 | CAP,E 100-10 GAS          | ABC..... |
| C   | 355 | 87-010-491-040 | CAP,E 0.22-50 GAS         | ABC..... |
| C   | 356 | 87-010-491-040 | CAP,E 0.22-50 GAS         | ABC..... |
| C   | 351 | 87-010-498-040 | CAP,E 10-16 GAS           | ABC..... |
| C   | 354 | 87-010-498-040 | CAP,E 10-16 GAS           | ABC..... |
| C   | 353 | 87-010-498-040 | CAP,E 10-16 GAS           | ABC..... |
| C   | 352 | 87-010-498-040 | CAP,E 10-16 GAS           | ABC..... |
| C   | 367 | 87-010-175-080 | CAP 560P                  | ABC..... |
| C   | 368 | 87-010-175-080 | CAP 560P                  | ABC..... |
| C   | 365 | 87-010-175-080 | CAP 560P                  | ABC..... |
| C   | 366 | 87-010-175-080 | CAP 560P                  | ABC..... |
| C   | 363 | 87-010-494-040 | CAP,E 1-50 GAS            | ABC..... |
| C   | 361 | 87-010-494-040 | CAP,E 1-50 GAS            | ABC..... |
| C   | 362 | 87-010-494-040 | CAP,E 1-50 GAS            | ABC..... |
| C   | 364 | 87-010-494-040 | CAP,E 1-50 GAS            | ABC..... |
| C   | 551 | 87-010-553-040 | CAP,E 47-16 GAS           | ABC..... |
| C   | 590 | 87-010-178-080 | CHIP CAP 1000P            | ABC..... |
| D   | 551 | 87-020-331-080 | CHIP-DIODE,DAN202K        | ABC..... |
| IC  | 301 | 8Z-KT1-622-010 | C-IC,LC75374E             | ABC..... |
| Q   | 351 | 87-A30-287-040 | C-TR,DTC114TKA            | ABC..... |
| Q   | 352 | 87-A30-287-040 | C-TR,DTC114TKA            | ABC..... |
| Q   | 553 | 87-A30-281-040 | C-TR,DTC363TK             | ABC..... |
| Q   | 554 | 87-A30-281-040 | C-TR,DTC363TK             | ABC..... |
| Q   | 551 | 87-A30-281-040 | C-TR,DTC363TK             | ABC..... |
| Q   | 552 | 87-A30-281-040 | C-TR,DTC363TK             | ABC..... |
| Q   | 559 | 87-A30-282-040 | C-TR,DTA114TKA            | ABC..... |
| Q   | 560 | 87-A30-287-040 | C-TR,DTC114TKA            | ABC..... |
| C   | 508 | 87-010-322-080 | C-CAP,S 100P-50 CH        | ABC..... |
| C   | 507 | 87-010-322-080 | C-CAP,S 100P-50 CH        | ABC..... |
| C   | 501 | 87-010-322-080 | C-CAP,S 100P-50 CH        | ABC..... |
| C   | 503 | 87-010-322-080 | C-CAP,S 100P-50 CH        | ABC..... |
| C   | 504 | 87-010-322-080 | C-CAP,S 100P-50 CH        | ABC..... |
| C   | 505 | 87-010-322-080 | C-CAP,S 100P-50 CH        | ABC..... |
| C   | 506 | 87-010-322-080 | C-CAP,S 100P-50 CH        | ABC..... |
| C   | 502 | 87-010-322-080 | C-CAP,S 100P-50 CH        | ABC..... |
| C   | 512 | 87-010-196-080 | CHIP CAPACITOR,0.1-25     | ABC..... |
| C   | 513 | 87-010-498-040 | CAP,E 10-16 GAS           | ABC..... |
| C   | 511 | 8Z-KT1-633-090 | CAP,E 3300U-16 PW         | ABC..... |
| IC  | 501 | 87-A20-876-010 | IC,HA13158                | ABC..... |

# ELECTRICAL MAIN PARTS LIST - 3/4

|     |     |                |                           |          |
|-----|-----|----------------|---------------------------|----------|
| C   | 601 | 87-010-935-040 | CAP,E 220-16 M VR         | ABC..... |
| C   | 611 | 87-010-198-080 | CAP, CHIP 0.022           | ABC..... |
| C   | 612 | 87-016-459-040 | CAP,E 470-10 SMG          | ABC..... |
| C   | 621 | 87-010-198-080 | CAP, CHIP 0.022           | ABC..... |
| C   | 622 | 87-010-555-040 | CAP,E 100-10 GAS          | ABC..... |
| C   | 631 | 87-010-198-080 | CAP, CHIP 0.022           | ABC..... |
| C   | 633 | 87-010-198-080 | CAP, CHIP 0.022           | ABC..... |
| C   | 635 | 87-010-553-040 | CAP,E 47-16 GAS           | ABC..... |
| C   | 632 | 87-016-039-090 | CAP,DL 0.022F-5.5 Z 70 FM | ABC..... |
| C   | 641 | 87-010-198-080 | CAP, CHIP 0.022           | ABC..... |
| C   | 653 | 87-010-555-040 | CAP,E 100-10 GAS          | ABC..... |
| C   | 652 | 87-A11-177-080 | C-CAP,S 0.15-16 K B       | ABC..... |
| C   | 651 | 87-A11-177-080 | C-CAP,S 0.15-16 K B       | ABC..... |
| C   | 671 | 87-010-553-040 | CAP,E 47-16 GAS           | ABC..... |
| C   | 882 | 87-010-196-080 | CHIP CAPACITOR,0.1-25     | ABC..... |
| C   | 881 | 87-010-196-080 | CHIP CAPACITOR,0.1-25     | ABC..... |
| C   | 883 | 87-010-196-080 | CHIP CAPACITOR,0.1-25     | ABC..... |
| CNA | 881 | 8Z-KT1-620-010 | CONN ASSY,8P ISO-BLACK    | ABC..... |
| CNA | 882 | 8Z-KT1-621-010 | CONN ASSY,8P ISO-WHITE    | ABC..... |
| D   | 611 | 87-070-334-080 | ZENER,MTZJ10B             | ABC..... |
| D   | 621 | 87-017-931-080 | ZENER,MTZJ5.6B            | ABC..... |
| D   | 631 | 87-001-783-080 | DIODE,1N4002              | ABC..... |
| D   | 632 | 87-001-783-080 | DIODE,1N4002              | ABC..... |
| D   | 634 | 87-017-931-080 | ZENER,MTZJ5.6B            | ABC..... |
| D   | 633 | 87-A40-002-080 | ZENER,MTZJ5.1C            | ABC..... |
| D   | 635 | 87-A40-620-080 | ZENER,MTZJ6.2A            | ABC..... |
| D   | 641 | 87-070-136-080 | ZENER,MTZJ5.1B            | ABC..... |
| D   | 671 | 87-070-136-080 | ZENER,MTZJ5.1B            | ABC..... |
| D   | 881 | 87-001-783-080 | DIODE,1N4002              | ABC..... |
| D   | 882 | 87-001-783-080 | DIODE,1N4002              | ABC..... |
| IC  | 641 | 88-KT1-606-080 | IC,PST994D                | ABC..... |
| IC  | 651 | 88-KTD-604-010 | IC,BA09T                  | ABC..... |
| L   | 881 | 8Z-KT1-615-010 | FLTR,AMORPHOUS -CHOKE     | ABC..... |
| PL  | 701 | 8Z-KT1-641-010 | LAMP,T-3                  | ABC..... |
| Q   | 603 | 87-A30-287-040 | C-TR,DTC114TKA            | ABC..... |
| Q   | 604 | 87-A30-287-040 | C-TR,DTC114TKA            | ABC..... |
| Q   | 601 | 87-A30-290-010 | TR,KTA1658(Y)             | ABC..... |
| Q   | 602 | 87-A30-290-010 | TR,KTA1658(Y)             | ABC..... |
| Q   | 611 | 87-A30-291-010 | TR,KTC4369(Y)             | ABC..... |
| Q   | 621 | 87-A30-292-010 | TR,KTC3205(Y)             | ABC..... |
| Q   | 633 | 87-A30-287-040 | C-TR,DTC114TKA            | ABC..... |
| Q   | 632 | 87-A30-287-040 | C-TR,DTC114TKA            | ABC..... |
| Q   | 631 | 87-A30-292-010 | TR,KTC3205(Y)             | ABC..... |
| Q   | 702 | 87-A30-287-040 | C-TR,DTC114TKA            | ABC..... |
| Q   | 701 | 87-A30-294-040 | C-TR,DTB123YK             | ABC..... |
| R   | 605 | 88-148-102-080 | C-RES, 1K-1/2W J          | ABC..... |
| C   | 861 | 87-010-494-040 | CAP,E 1-50 GAS            | ABC..... |
| C   | 862 | 87-010-494-040 | CAP,E 1-50 GAS            | ABC..... |
| CNA | 853 | 8Z-KT1-644-010 | CONN ASSY,6P DFP-1        | ABC..... |
| CNA | 852 | 8Z-KT1-645-010 | CONN ASSY,11P DFP-2       | ABC..... |
| CON | 853 | 87-009-411-010 | CONN,6P ZH V              | ABC..... |
| CON | 851 | 8Z-KT1-613-010 | CONN,16P CAM-C74          | ABC..... |
| D   | 851 | 87-017-932-080 | ZENER,MTJ6.2B             | ABC..... |
| D   | 857 | 87-017-932-080 | ZENER,MTJ6.2B             | ABC..... |
| D   | 852 | 87-017-932-080 | ZENER,MTJ6.2B             | ABC..... |
| D   | 855 | 87-017-932-080 | ZENER,MTJ6.2B             | ABC..... |
| D   | 856 | 87-017-932-080 | ZENER,MTJ6.2B             | ABC..... |
| D   | 853 | 87-017-932-080 | ZENER,MTJ6.2B             | ABC..... |
| D   | 860 | 87-017-932-080 | ZENER,MTJ6.2B             | ABC..... |
| SW  | 702 | 87-036-220-080 | C-SW,T                    | ABC..... |
| C   | 381 | 87-010-196-080 | CHIP CAPACITOR,0.1-25     | ABC..... |
| C   | 453 | 87-010-498-040 | CAP,E 10-16 GAS           | ABC..... |
| C   | 452 | 87-010-498-040 | CAP,E 10-16 GAS           | ABC..... |
| C   | 451 | 87-010-498-040 | CAP,E 10-16 GAS           | ABC..... |
| C   | 454 | 87-010-498-040 | CAP,E 10-16 GAS           | ABC..... |
| C   | 456 | 87-012-140-080 | CAP 470P                  | ABC..... |
| C   | 455 | 87-012-140-080 | CAP 470P                  | ABC..... |
| C   | 457 | 87-012-140-080 | CAP 470P                  | ABC..... |
| C   | 458 | 87-012-140-080 | CAP 470P                  | ABC..... |
| J   | 451 | 88-KTA-604-010 | JACK,PIN 4P V-TYPE        | ABC..... |
| Q   | 381 | 89-324-122-080 | TR,2SC2412K               | ABC..... |
| C   | 901 | 87-010-176-080 | C-CAP,S 680P-50 SL        | ABC..... |
| C   | 902 | 87-010-194-080 | CAP, CHIP 0.047           | ABC..... |
| C   | 903 | 87-010-194-080 | CAP, CHIP 0.047           | ABC..... |
| C   | 904 | 87-010-196-080 | CHIP CAPACITOR,0.1-25     | ABC..... |
| C   | 921 | 87-010-196-080 | CHIP CAPACITOR,0.1-25     | .BC..... |
| C   | 922 | 87-010-196-080 | CHIP CAPACITOR,0.1-25     | .BC..... |
| CON | 901 | 8Z-KT1-612-010 | CONN,16P CAM-C73          | ABC..... |
| D   | 908 | 87-020-585-080 | CHIP-ZENER,02CZ6.2Y       | ABC..... |
| D   | 907 | 87-020-585-080 | CHIP-ZENER,02CZ6.2Y       | ABC..... |
| D   | 906 | 87-020-585-080 | CHIP-ZENER,02CZ6.2Y       | ABC..... |
| D   | 909 | 87-020-585-080 | CHIP-ZENER,02CZ6.2Y       | ABC..... |
| D   | 921 | 87-020-585-080 | CHIP-ZENER,02CZ6.2Y       | .BC..... |
| IC  | 902 | 87-A90-951-010 | RCR UNIT,SBX1971-52       | .BC..... |
| IC  | 901 | 88-KT1-608-010 | C-IC,LC75854W             | ABC..... |
| J   | 901 | 87-A60-249-010 | JACK,MOJ-B32              | ABC..... |
| LCD | 901 | 8Z-KT1-608-010 | LCD,ZKT-3                 | ABC..... |
| LED | 909 | 87-017-828-070 | C-LED,SEL 1401C GRN       | ABC..... |
| LED | 906 | 87-017-828-070 | C-LED,SEL 1401C GRN       | ABC..... |
| LED | 907 | 87-017-828-070 | C-LED,SEL 1401C GRN       | ABC..... |
| LED | 903 | 87-017-828-070 | C-LED,SEL 1401C GRN       | ABC..... |
| LED | 908 | 87-017-828-070 | C-LED,SEL 1401C GRN       | ABC..... |

# ELECTRICAL MAIN PARTS LIST - 4/4

|     |     |                |                       |          |
|-----|-----|----------------|-----------------------|----------|
| LED | 905 | 87-017-828-070 | C-LED,SEL 1401C GRN   | ABC..... |
| LED | 904 | 87-017-828-070 | C-LED,SEL 1401C GRN   | ABC..... |
| LED | 902 | 87-017-828-070 | C-LED,SEL 1401C GRN   | ABC..... |
| LED | 901 | 87-017-828-070 | C-LED,SEL 1401C GRN   | ABC..... |
| LED | 913 | 87-017-828-070 | C-LED,SEL 1401C GRN   | ABC..... |
| LED | 918 | 87-017-828-070 | C-LED,SEL 1401C GRN   | ABC..... |
| LED | 911 | 87-017-828-070 | C-LED,SEL 1401C GRN   | ABC..... |
| LED | 919 | 87-017-828-070 | C-LED,SEL 1401C GRN   | ABC..... |
| LED | 910 | 87-017-828-070 | C-LED,SEL 1401C GRN   | ABC..... |
| LED | 912 | 87-017-828-070 | C-LED,SEL 1401C GRN   | ABC..... |
| LED | 915 | 87-017-828-070 | C-LED,SEL 1401C GRN   | ABC..... |
| LED | 917 | 87-017-828-070 | C-LED,SEL 1401C GRN   | ABC..... |
| LED | 916 | 87-017-828-070 | C-LED,SEL 1401C GRN   | ABC..... |
| LED | 914 | 87-017-828-070 | C-LED,SEL 1401C GRN   | ABC..... |
| LED | 920 | 87-017-828-070 | C-LED,SEL 1401C GRN   | ABC..... |
| LED | 921 | 87-017-828-070 | C-LED,SEL 1401C GRN   | ABC..... |
| PL  | 901 | 8Z-KT1-641-010 | LAMP,T-3              | ABC..... |
| PL  | 902 | 8Z-KT1-641-010 | LAMP,T-3              | ABC..... |
| SW  | 903 | 87-A90-001-080 | C-SW,TACT SKQMAL      | ABC..... |
| SW  | 906 | 87-A90-001-080 | C-SW,TACT SKQMAL      | ABC..... |
| SW  | 907 | 87-A90-001-080 | C-SW,TACT SKQMAL      | ABC..... |
| SW  | 901 | 87-A90-001-080 | C-SW,TACT SKQMAL      | ABC..... |
| SW  | 905 | 87-A90-001-080 | C-SW,TACT SKQMAL      | ABC..... |
| SW  | 908 | 87-A91-159-010 | SW,TACT SKHLAD        | ABC..... |
| SW  | 904 | 87-A91-159-010 | SW,TACT SKHLAD        | ABC..... |
| SW  | 902 | 87-A91-159-010 | SW,TACT SKHLAD        | ABC..... |
| SW  | 909 | 87-A91-159-010 | SW,TACT SKHLAD        | ABC..... |
| SW  | 919 | 87-A90-001-080 | C-SW,TACT SKQMAL      | ABC..... |
| SW  | 917 | 87-A90-001-080 | C-SW,TACT SKQMAL      | ABC..... |
| SW  | 911 | 87-A90-001-080 | C-SW,TACT SKQMAL      | ABC..... |
| SW  | 918 | 87-A90-001-080 | C-SW,TACT SKQMAL      | ABC..... |
| SW  | 913 | 87-A90-001-080 | C-SW,TACT SKQMAL      | ABC..... |
| SW  | 912 | 87-A90-001-080 | C-SW,TACT SKQMAL      | ABC..... |
| SW  | 916 | 87-A90-001-080 | C-SW,TACT SKQMAL      | ABC..... |
| SW  | 915 | 87-A90-001-080 | C-SW,TACT SKQMAL      | ABC..... |
| SW  | 914 | 87-A90-001-080 | C-SW,TACT SKQMAL      | ABC..... |
| SW  | 910 | 87-A91-159-010 | SW,TACT SKHLAD        | ABC..... |
| SW  | 920 | 87-A90-001-080 | C-SW,TACT SKQMAL      | ABC..... |
| SW  | 921 | 87-A90-001-080 | C-SW,TACT SKQMAL      | ABC..... |
|     |     | 88-KC4-052-010 | CABI,UNIT HRC         | .BC..... |
|     |     | 88-KC4-054-010 | WINDOW,DIODE HRC      | .BC..... |
|     |     | 88-KC4-055-010 | BTN,ARRAY HRC         | .BC..... |
|     |     | 88-KC4-056-010 | HLDR,BAT. HRC         | .BC..... |
|     |     | 88-KC4-058-010 | CAP, FUNC. HRC        | .BC..... |
|     |     | 8Z-KY1-011-010 | CABI, TOP SW1 AL      | .BC..... |
|     |     | 88-KC4-252-010 | TERMINAL, (+)         | .BC..... |
|     |     | 88-KC4-256-010 | S-SCREW,VT2+2-4 BLK   | .BC..... |
|     |     | 88-KC4-260-010 | RING,DIODE -C         | .BC..... |
|     |     | 88-KC4-261-010 | TERMINAL, (-) SPR -C  | .BC..... |
| C   | 1   | 87-010-322-080 | C-CAP,S 100P-50 CH    | .BC..... |
| C   | 2   | 87-010-322-080 | C-CAP,S 100P-50 CH    | .BC..... |
| C   | 3   | 87-016-459-010 | CAP,E 470-10 M SMG    | .BC..... |
| IC  | 1   | 88-KC4-621-040 | C-IC,LC7461-8100      | .BC..... |
| LED | 1   | 87-A40-629-010 | LED,SIR-34ST3F IR     | .BC..... |
| Q   | 1   | 89-328-734-080 | C-TRANSISTOR,2SC2873Y | .BC..... |
| SW  | 4   | 87-A91-338-080 | C-SW,TACT SKQYAB      | .BC..... |
| SW  | 1   | 87-A91-338-080 | C-SW,TACT SKQYAB      | .BC..... |
| SW  | 3   | 87-A91-338-080 | C-SW,TACT SKQYAB      | .BC..... |
| SW  | 2   | 87-A91-338-080 | C-SW,TACT SKQYAB      | .BC..... |
| SW  | 5   | 87-A91-338-080 | C-SW,TACT SKQYAB      | .BC..... |
| W   | 1   | 8Z-KY1-604-010 | F-CABLE,2P (LED)      | .BC..... |
| X   | 1   | 87-030-142-010 | CERAMIC CSB 455E      | .BC..... |

# MECHANICAL PARTS LIST - 1/1

NOTE: The characters in the suffix column indicate the part usage.

ZSTC .....XX.....A.....  
 9ZSC .....XX.....B.....  
 9Z1S .....XX.....C.....

| REF.NO | PARTS NO.      | KANRI NO.      | DESCRIPTION                   | SUFFIX   |
|--------|----------------|----------------|-------------------------------|----------|
|        | 8Z-KT1-001-010 |                | CABI,FRONT F-T                | ABC..... |
|        | 8Z-KT1-002-010 |                | CABI,REAR F-T                 | ABC..... |
|        | 8Z-KT1-017-010 |                | RING,OVAL -T                  | ABC..... |
|        | 8Z-KT1-021-010 |                | CABI,BASE F-T                 | ABC..... |
|        | 8Z-KT1-022-010 |                | CABI,TRIM F-T                 | ABC..... |
|        | 8Z-KT1-023-010 |                | DOOR,CASS                     | ABC..... |
|        | 8Z-KT3-001-010 |                | WINDOW,LCD FR729M             | .B.....  |
|        | 8Z-KT3-004-010 |                | WINDOW,LCD FR720M NIR         | A.C..... |
|        | 8Z-KT1-006-010 |                | BTN,P.SET -T                  | ABC..... |
|        | 8Z-KT1-007-010 |                | BTN,+/- -T                    | ABC..... |
|        | 8Z-KT1-008-010 |                | BTN,SEL -T                    | ABC..... |
|        | 8Z-KT1-009-010 |                | BTN,MUTE -T                   | ABC..... |
|        | 8Z-KT1-010-010 |                | BTN,H-BASS -T                 | ABC..... |
|        | 8Z-KT1-011-010 |                | BTN,U/D -T                    | ABC..... |
|        | 8Z-KT1-012-010 |                | BTN,DRV -T                    | ABC..... |
|        | 8Z-KT1-013-010 |                | BTN,TWIN -T                   | ABC..... |
|        | 8Z-KT1-014-010 |                | BTN,TETRA -T                  | ABC..... |
|        | 8Z-KT1-015-010 |                | BTN,TA -T                     | ABC..... |
|        | 8Z-KT1-016-010 |                | BTN,OPEN F -T                 | ABC..... |
|        | 8Z-KT1-018-010 |                | BTN,EJ F-T                    | ABC..... |
|        | 8Z-KT1-201-010 |                | ARM,F-LOCK -T                 | ABC..... |
|        | 8Z-KT1-202-010 |                | LEVER,F-OPEN -T               | ABC..... |
|        | 8Z-KT1-203-010 |                | GEAR,FLAP -T                  | ABC..... |
|        | 8Z-KT1-204-010 |                | HLDR,F-HOOK L -T              | ABC..... |
|        | 8Z-KT1-205-010 |                | HLDR,F-HOOK R -T              | ABC..... |
|        | 8Z-KT1-206-010 |                | CASE,LCD LENS F -T            | ABC..... |
|        | 8Z-KT1-207-010 |                | LENS,LCD F -T                 | ABC..... |
|        | 8Z-KT1-208-010 |                | LENS,BASE -T                  | ABC..... |
|        | 8Z-KT1-209-010 |                | LENS,IR -T                    | .BC..... |
|        | 8Z-KT1-211-010 |                | COVER, TOP -T                 | ABC..... |
|        | 8Z-KT1-212-010 |                | COVER, BOTTOM -T              | ABC..... |
|        | 8Z-KT1-215-010 |                | HLDR,P-IC -T                  | ABC..... |
|        | 8Z-KT1-216-010 |                | HLDR,DECK CDS522              | ABC..... |
|        | 8Z-KT1-218-010 |                | HLDR,CD -T                    | ABC..... |
|        | 8Z-KT1-219-010 |                | HLDR,TR -T                    | ABC..... |
|        | 8Z-KT1-220-010 |                | HLDR,JACK F -T                | ABC..... |
|        | 8Z-KT1-222-010 |                | ARM,SENSOR F -T               | ABC..... |
|        | 8Z-KT1-225-010 |                | HLDR,LCD F -T                 | ABC..... |
|        | 8Z-KT1-229-010 |                | HLDR,DAMPER F ASS'Y-T         | ABC..... |
|        | 8Z-KT1-230-010 |                | HLDR,DFP ASS'Y-T              | ABC..... |
|        | 8Z-KT1-235-010 |                | COVER, CONN.BLIND -T          | ABC..... |
|        | 8Z-KT1-237-010 |                | CAP,LAMP GRN                  | ABC..... |
|        | 8Z-KT1-239-010 |                | CAP,LAMP BLU B                | ABC..... |
|        | 8Z-KT1-241-010 |                | SPR-C,DFP HOOK F -T           | ABC..... |
|        | 8Z-KT1-242-010 |                | SPR-C,OPEN BTN F -T           | ABC..... |
|        | 8Z-KT1-243-010 |                | SPR-T,FLAP -T                 | ABC..... |
|        | 8Z-KT1-244-010 |                | SPR-T,DOOR Z                  | ABC..... |
|        | 8Z-KT1-248-010 |                | SPR-T,SENSOR F -T             | ABC..... |
|        | 8Z-KT1-250-010 |                | OIL-DMPR,100                  | ABC..... |
|        | 8Z-KT1-257-010 |                | HLDR,ISO-WIRE -T              | ABC..... |
|        | 8Z-KT1-260-010 |                | SPR-T,F.LOCK-T                | ABC..... |
|        | 87-251-073-410 |                | SCREW,U+2.6-6                 | ABC..... |
|        | 87-251-075-410 |                | U+2.6-10                      | ABC..... |
|        | 87-251-096-410 |                | U+3-10                        | ABC..... |
|        | 87-253-034-410 |                | U+2-5 BLK                     | ABC..... |
|        | 87-B10-210-010 |                | UT2+3.0-6.0 W/O SLOT (BH TAP) | ABC..... |
|        | 88-KT1-250-010 |                | S-SCREW,THIN HEAD+2.6-4 BLK   | ABC..... |
|        | 8Z-KT1-246-010 |                | S-SCREW,2.0-2.5 -10           | ABC..... |
|        | 8Z-KT1-247-010 |                | S-SCREW,GEAR2.0-1.8 -4.2      | ABC..... |
|        | 8Z-KT1-253-010 |                | S-SCREW,PT 2*8 BH+ BLK        | ABC..... |
|        | 8Z-KT1-254-010 |                | S-SCREW,PT 2*5 BH+ BLK        | ABC..... |
|        | 88-KC4-052-010 |                | CABI,UNIT HRC                 | .BC..... |
|        | 88-KC4-054-010 |                | WINDOW,DIODE HRC              | .BC..... |
|        | 88-KC4-055-010 |                | BTN,ARRAY HRC                 | .BC..... |
|        | 88-KC4-056-010 |                | HLDR,BAT. HRC                 | .BC..... |
|        | 88-KC4-058-010 |                | CAP, FUNC. HRC                | .BC..... |
|        | 8Z-KY1-011-010 |                | CABI,TOP SW1 AL               | .BC..... |
|        | 88-KC4-252-010 |                | TERMINAL,(+)                  | .BC..... |
|        | 88-KC4-256-010 |                | S-SCREW,VT2+2-4 BLK           | .BC..... |
|        | 88-KC4-260-010 |                | RING,DIODE -C                 | .BC..... |
|        | 88-KC4-261-010 |                | TERMINAL,(-) SPR -C           | .BC..... |
| W      | 1              | 8Z-KY1-604-010 | F-CABLE,2P (LED)              | .BC..... |

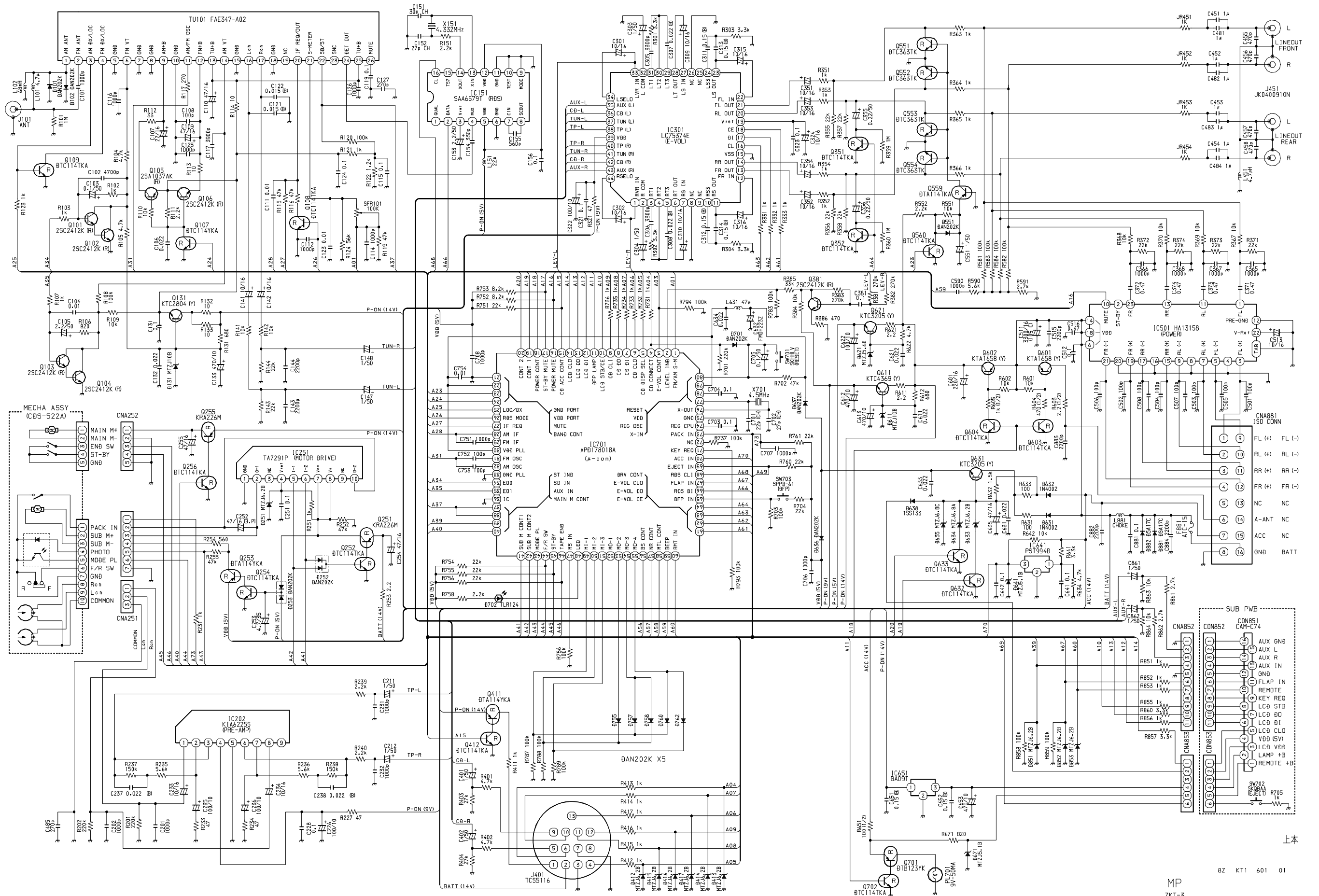
# ACCESSORIES / PACKAGE LIST - 1/1

NOTE: The characters in the suffix column indicate the part usage.

ZSTC .....XX.....A.....  
 9ZSC .....XX.....B.....  
 9Z1S .....XX.....C.....

| REF.NO | PARTS NO.      | KANRI NO. | DESCRIPTION                        | SUFFIX   |
|--------|----------------|-----------|------------------------------------|----------|
|        | 8Z-KT3-901-010 |           | IB, YZ (9L) FR720, 729, 709, 706   | ABC..... |
|        | 8Z-KT3-902-010 |           | IB, INST, YZ (6L) FR720, 729, 709, | ABC..... |
|        | 8Z-KT3-903-010 |           | IB, INST, YZ (CZ-PO-H) FR720, 729, | ABC..... |
|        | 8Z-KY1-904-010 |           | IB, Y (3L, GIP CK) SW1-A           | .BC..... |
|        | 86-KT1-237-010 |           | HLDR, REAR MTG                     | ABC..... |
|        | 87-B10-141-010 |           | NUT, 5 TYPE-2                      | ABC..... |
|        | 87-B10-144-010 |           | W, 5.2-10-0.5                      | ABC..... |
|        | 87-B10-145-010 |           | W-SPR, 5.3-8.5-1.5                 | ABC..... |
|        | 88-KC4-053-010 |           | HLDR, BELT HRC                     | .BC..... |
|        | 88-KC4-057-010 |           | BELT, HRC                          | .BC..... |
|        | 88-KC4-254-010 |           | PLATE, NUT M3                      | .BC..... |
|        | 88-KC4-255-010 |           | S-SCREW, HEX-SOC+3-3.5 BLK         | .BC..... |
|        | 88-KC4-257-010 |           | KEY, HEXAGON WRENCH                | .BC..... |
|        | 88-KT1-250-010 |           | S-SCREW, THIN HEAD+2.6-4 BLK       | ABC..... |
|        | 8Z-KT1-030-010 |           | CASE, DFP -T                       | ABC..... |
|        | 8Z-KT1-231-010 |           | HLDR, HALF -T                      | ABC..... |
|        | 8Z-KT1-232-010 |           | KEY, REMOVE -T                     | ABC..... |
| *      | 87-B10-143-010 |           | UT1+5-15 W/O SLOT                  | ABC..... |
| *      | 88-KT1-247-010 |           | S-SCREW, HEXAGON                   | ABC..... |
| *      | 8Z-KT1-251-010 |           | S-SCREW, 5*6 TH+ TAPPING ST        | ABC..... |

SCHEMATIC DIAGRAM - 1 (MAIN)



ZKT-3 (P1)

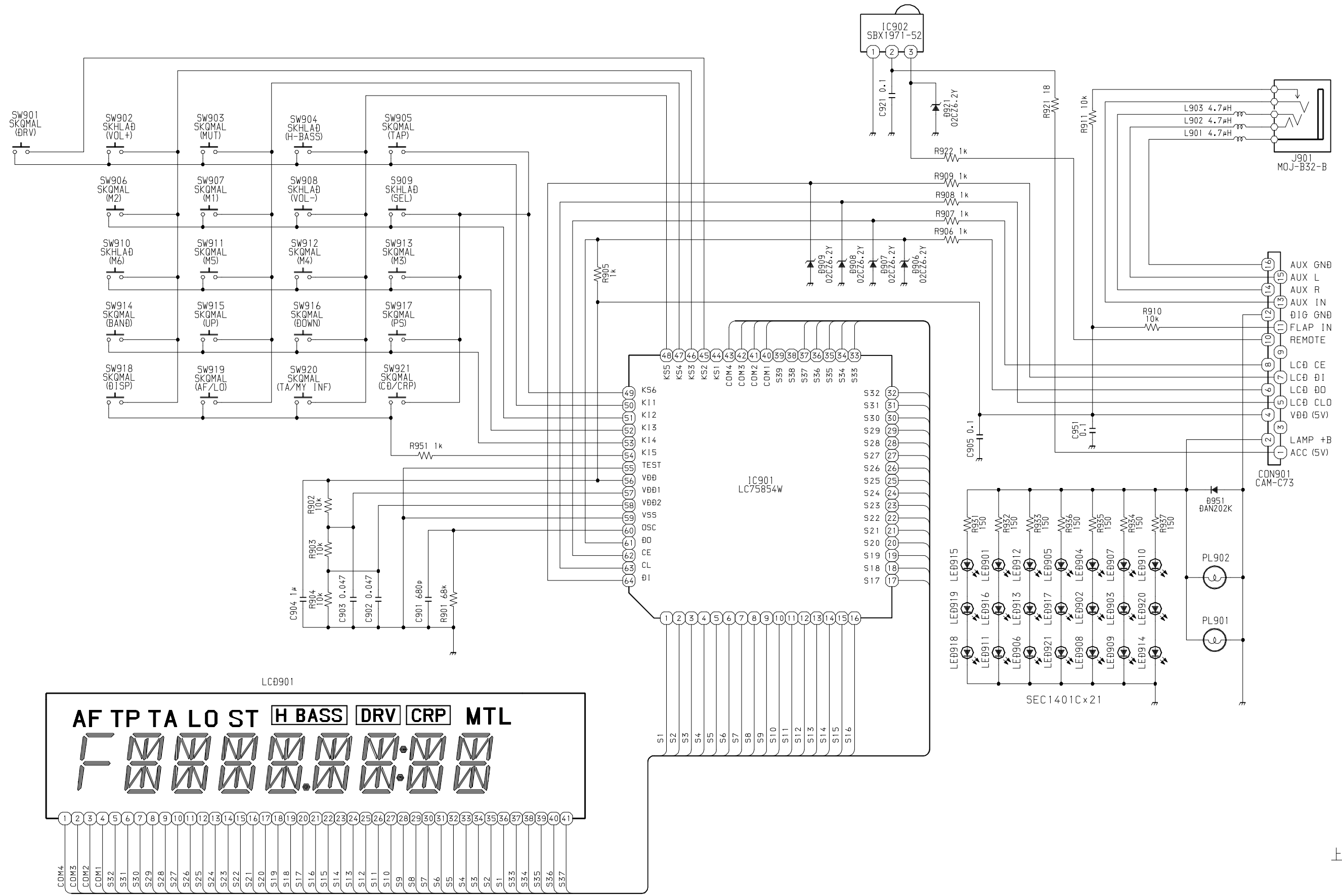
MP  
ZKT-3

82 KT1 601 01

25 FEB 1999



SCHEMATIC DIAGRAM – 2 (FRONT)



上本

| サービス技術ニュース |      |
|------------|------|
| 番号         | 連絡内容 |
| G- -       |      |
| G- -       |      |
| G- -       |      |

**アイワ株式会社**  
**AIWA CO.,LTD.**

9301978

Tokyo Japan

〒110-8710 東京都台東区池之端1-2-11 ☎03(3827)3111 (代表)

Printed in Singapore