

aiwa



CT-FX719

STEREO CAR
CASSETTE RECEIVER

• TYPE: YZ

SIMPLE MANUAL

• Replace this Service Manual with "Revision Publishing" when it is issued.

S/M Code No. 09-993-401- 2T3

MANUAL
SERVICE

ELECTRICAL MAIN PARTS LIST - 1/4 <CT-FX719>

NOTE: The characters in the suffix column indicate the part usage.

YZ	REF.NO	PARTS NO.	XX KANRI NO.	DESCRIPTION	A SUFFIX
C	634	87-010-198-080		CAP, CHIP 0.022	A.....
C	704	87-010-196-080		CHIP CAPACITOR,0.1-25	A.....
C	703	87-010-196-080		CHIP CAPACITOR,0.1-25	A.....
C	701	87-010-314-080		C-CAP,S 22P-50V	A.....
C	702	87-010-315-080		C-CAP,S 27P-50 CH	A.....
C	751	87-010-178-080		CHIP CAP 1000P	A.....
C	753	87-010-178-080		CHIP CAP 1000P	A.....
C	754	87-010-197-080		CAP, CHIP 0.01 DM	A.....
C	752	87-010-322-080		C-CAP,S 100P-50 CH	A.....
D	702	87-027-262-010		LEDE,TLR-124(RED)	A.....
D	754	87-020-331-080		CHIP-DIODE,DAN202K	A.....
D	757	87-020-331-080		CHIP-DIODE,DAN202K	A.....
D	755	87-020-331-080		CHIP-DIODE,DAN202K	A.....
D	752	87-020-331-080		CHIP-DIODE,DAN202K	A.....
D	758	87-020-331-080		CHIP-DIODE,DAN202K	A.....
D	762	87-020-331-080		CHIP-DIODE,DAN202K	A.....
IC	701	87-A21-194-010		C-IC,UPD178016AGC-527-3B9	A.....
L	631	87-003-149-080		COIL,47UH	A.....
Q	703	87-A30-287-040		C-TR,DTC114TKA	A.....
SW	703	87-036-109-010		PUSH SWITCH	A.....
SW	751	87-A91-152-010		SW,SL 1-1-2 SSSS212-11-A	A.....
X	701	87-A70-175-010		VIB,XTAL 4.5MHZ AT-49	A.....
C	202	87-010-178-080		CHIP CAP 1000P	A.....
C	201	87-010-178-080		CHIP CAP 1000P	A.....
C	211	87-010-494-040		CAP,E 1-50 GAS	A.....
C	212	87-010-494-040		CAP,E 1-50 GAS	A.....
C	228	87-010-196-080		CHIP CAPACITOR,0.1-25	A.....
C	226	87-010-555-040		CAP,E 100-10 GAS	A.....
C	238	87-010-198-080		CAP, CHIP 0.022	A.....
C	237	87-010-198-080		CAP, CHIP 0.022	A.....
C	234	87-010-498-040		CAP,E 10-16 GAS	A.....
C	233	87-010-498-040		CAP,E 10-16 GAS	A.....
C	236	87-010-555-040		CAP,E 100-10 GAS	A.....
C	235	87-010-555-040		CAP,E 100-10 GAS	A.....
C	251	87-010-196-080		CHIP CAPACITOR,0.1-25	A.....
C	253	87-010-497-040		CAP,E 4.7-35 GAS	A.....
C	254	87-010-553-040		CAP,E 47-16 GAS	A.....
C	255	87-010-553-040		CAP,E 47-16 GAS	A.....
C	252	87-A10-924-040		CAP,E 47-16 BP SME	A.....
CNA	251	8Z-KT1-634-010		CONN ASSY,10P DECK-1	A.....
CNA	252	8Z-KT1-635-010		CONN ASSY,5P DECK-2	A.....
D	251	87-017-932-080		ZENER,MTJ6.2B	A.....
D	253	87-020-331-080		CHIP-DIODE,DAN202K	A.....
D	252	87-020-331-080		CHIP-DIODE,DAN202K	A.....
IC	202	87-A21-191-010		IC,KIA6225S	A.....
IC	251	88-KT1-604-010		IC,TA7291P	A.....
Q	253	87-A30-283-040		C-TR,DTA114YKA	A.....
Q	256	87-A30-287-040		C-TR,DTC114TKA	A.....
Q	252	87-A30-287-040		C-TR,DTC114TKA	A.....
Q	254	87-A30-287-040		C-TR,DTC114TKA	A.....
Q	255	87-A30-295-010		TR,KRA226M	A.....
Q	251	87-A30-295-010		TR,KRA226M	A.....
C	101	87-010-178-080		CHIP CAP 1000P	A.....
C	102	87-010-186-080		CAP,CHIP 4700P	A.....
C	104	87-010-197-080		CAP, CHIP 0.01 DM	A.....
C	106	87-010-198-080		CAP, CHIP 0.022	A.....
C	108	87-010-322-080		C-CAP,S 100P-50 CH	A.....
C	103	87-010-490-040		CAP, ELECT 0.1-50	A.....
C	105	87-010-495-040		CAP,E 2.2-50 GAS	A.....
C	107	87-010-552-040		CAP,E 22-16 GAS	A.....
C	109	87-010-553-040		CAP,E 47-16 GAS	A.....
C	114	87-010-178-080		CHIP CAP 1000P	A.....
C	119	87-010-196-080		CHIP CAPACITOR,0.1-25	A.....
C	115	87-010-196-080		CHIP CAPACITOR,0.1-25	A.....
C	111	87-010-197-080		CAP, CHIP 0.01 DM	A.....
C	116	87-010-197-080		CAP, CHIP 0.01 DM	A.....
C	117	87-010-198-080		CAP, CHIP 0.022	A.....
C	110	87-010-553-040		CAP,E 47-16 GAS	A.....
C	123	87-010-197-080		CAP, CHIP 0.01 DM	A.....
C	121	87-010-213-080		C-CAP,S 0.015-50 B	A.....
C	122	87-010-213-080		C-CAP,S 0.015-50 B	A.....
C	131	87-010-196-080		CHIP CAPACITOR,0.1-25	A.....
C	132	87-010-198-080		CAP, CHIP 0.022	A.....
C	133	87-010-553-040		CAP,E 47-16 GAS	A.....
C	143	87-010-182-080		C-CAP,S 2200P-50 B	A.....
C	144	87-010-182-080		C-CAP,S 2200P-50 B	A.....
C	146	87-010-197-080		CAP, CHIP 0.01 DM	A.....
C	145	87-010-197-080		CAP, CHIP 0.01 DM	A.....
C	148	87-010-494-040		CAP,E 1-50 GAS	A.....
C	147	87-010-494-040		CAP,E 1-50 GAS	A.....
C	141	87-010-498-040		CAP,E 10-16 GAS	A.....
C	142	87-010-498-040		CAP,E 10-16 GAS	A.....
D	101	87-020-331-080		CHIP-DIODE,DAN202K	A.....
D	102	87-020-331-080		CHIP-DIODE,DAN202K	A.....
D	131	87-070-334-080		ZENER,MTZJ10B	A.....
J	101	8Z-KT1-614-010		ANT,AW-002	A.....

ELECTRICAL MAIN PARTS LIST - 2/4 <CT-FX719>

L	101	87-003-143-080	COIL 4.7 UH	A.....
L	102	8Z-KT1-619-010	COIL,68MH K7-D	A.....
Q	109	87-A30-287-040	C-TR,DTC114TKA	A.....
Q	107	87-A30-288-040	C-TR,DTC114YKA	A.....
Q	105	87-A30-289-040	C-TR,2SA1037AK(R)	A.....
Q	102	89-324-122-080	TR,2SC2412K	A.....
Q	101	89-324-122-080	TR,2SC2412K	A.....
Q	103	89-324-122-080	TR,2SC2412K	A.....
Q	104	89-324-122-080	TR,2SC2412K	A.....
Q	106	89-324-122-080	TR,2SC2412K	A.....
Q	131	87-A30-293-010	TR,KTC2804(Y)	A.....
TU	101	8Z-KT1-631-010	TU UNIT, FAE347-A02	A.....
C	306	87-010-184-080	CHIP CAPACITOR 3300P(K)	A.....
C	305	87-010-184-080	CHIP CAPACITOR 3300P(K)	A.....
C	308	87-010-198-080	CAP, CHIP 0.022	A.....
C	307	87-010-198-080	CAP, CHIP 0.022	A.....
C	302	87-010-494-040	CAP,E 1-50 GAS	A.....
C	301	87-010-494-040	CAP,E 1-50 GAS	A.....
C	303	87-010-498-040	CAP,E 10-16 GAS	A.....
C	304	87-010-498-040	CAP,E 10-16 GAS	A.....
C	309	87-010-498-040	CAP,E 10-16 GAS	A.....
C	310	87-010-498-040	CAP,E 10-16 GAS	A.....
C	316	87-010-498-040	CAP,E 10-16 GAS	A.....
C	315	87-010-498-040	CAP,E 10-16 GAS	A.....
C	312	87-A11-177-080	C-CAP,S 0.15-16 K B	A.....
C	314	87-A11-177-080	C-CAP,S 0.15-16 K B	A.....
C	313	87-A11-177-080	C-CAP,S 0.15-16 K B	A.....
C	311	87-A11-177-080	C-CAP,S 0.15-16 K B	A.....
C	321	87-010-196-080	CHIP CAPACITOR,0.1-25	A.....
C	323	87-010-196-080	CHIP CAPACITOR,0.1-25	A.....
C	324	87-010-552-040	CAP,E 22-16 GAS	A.....
C	322	87-010-555-040	CAP,E 100-10 GAS	A.....
C	356	87-010-491-040	CAP,E 0.22-50 GAS	A.....
C	355	87-010-491-040	CAP,E 0.22-50 GAS	A.....
C	353	87-010-498-040	CAP,E 10-16 GAS	A.....
C	354	87-010-498-040	CAP,E 10-16 GAS	A.....
C	352	87-010-498-040	CAP,E 10-16 GAS	A.....
C	351	87-010-498-040	CAP,E 10-16 GAS	A.....
C	367	87-010-175-080	CAP 560P	A.....
C	366	87-010-175-080	CAP 560P	A.....
C	365	87-010-175-080	CAP 560P	A.....
C	368	87-010-175-080	CAP 560P	A.....
C	362	87-010-494-040	CAP,E 1-50 GAS	A.....
C	363	87-010-494-040	CAP,E 1-50 GAS	A.....
C	361	87-010-494-040	CAP,E 1-50 GAS	A.....
C	364	87-010-494-040	CAP,E 1-50 GAS	A.....
C	551	87-010-553-040	CAP,E 47-16 GAS	A.....
D	590	87-010-178-080	CHIP CAP 1000P	A.....
D	551	87-020-331-080	CHIP-DIODE,DAN202K	A.....
IC	301	8Z-KT1-622-010	C-IC,LC75374E	A.....
Q	351	87-A30-287-040	C-TR,DTC114TKA	A.....
Q	352	87-A30-287-040	C-TR,DTC114TKA	A.....
Q	554	87-A30-281-040	C-TR,DTC363TK	A.....
Q	552	87-A30-281-040	C-TR,DTC363TK	A.....
Q	553	87-A30-281-040	C-TR,DTC363TK	A.....
Q	551	87-A30-281-040	C-TR,DTC363TK	A.....
Q	559	87-A30-282-040	C-TR,DTA114TKA	A.....
Q	560	87-A30-287-040	C-TR,DTC114TKA	A.....
Q	504	87-010-322-080	C-CAP,S 100P-50 CH	A.....
Q	506	87-010-322-080	C-CAP,S 100P-50 CH	A.....
Q	502	87-010-322-080	C-CAP,S 100P-50 CH	A.....
Q	507	87-010-322-080	C-CAP,S 100P-50 CH	A.....
Q	501	87-010-322-080	C-CAP,S 100P-50 CH	A.....
Q	503	87-010-322-080	C-CAP,S 100P-50 CH	A.....
Q	505	87-010-322-080	C-CAP,S 100P-50 CH	A.....
Q	508	87-010-322-080	C-CAP,S 100P-50 CH	A.....
Q	512	87-010-196-080	CHIP CAPACITOR,0.1-25	A.....
Q	513	87-010-498-040	CAP,E 10-16 GAS	A.....
Q	511	8Z-KT1-633-090	CAP,E 3300U-16 PW	A.....
IC	501	87-A20-876-010	IC,HA13158	A.....
C	601	87-010-935-040	CAP,E 220-16 M VR	A.....
C	611	87-010-198-080	CAP, CHIP 0.022	A.....
C	612	87-016-459-040	CAP,E 470-10 SMG	A.....
C	621	87-010-198-080	CAP, CHIP 0.022	A.....
C	622	87-010-555-040	CAP,E 100-10 GAS	A.....
C	633	87-010-198-080	CAP, CHIP 0.022	A.....
C	631	87-010-198-080	CAP, CHIP 0.022	A.....
C	635	87-010-553-040	CAP,E 47-16 GAS	A.....
C	632	87-016-039-090	CAP,DL 0.022F-5.5 Z 70 FM	A.....
C	641	87-010-198-080	CAP, CHIP 0.022	A.....
C	653	87-010-555-040	CAP,E 100-10 GAS	A.....
C	652	87-A11-177-080	C-CAP,S 0.15-16 K B	A.....
C	651	87-A11-177-080	C-CAP,S 0.15-16 K B	A.....
C	671	87-010-553-040	CAP,E 47-16 GAS	A.....
C	882	87-010-196-080	CHIP CAPACITOR,0.1-25	A.....
C	881	87-010-196-080	CHIP CAPACITOR,0.1-25	A.....
C	883	87-010-196-080	CHIP CAPACITOR,0.1-25	A.....
CNA	881	8Z-KT1-620-010	CONN ASSY,8P ISO-BLACK
CNA	882	8Z-KT1-621-010	CONN ASSY,8P ISO-WHITE
CON	881	8Z-KT1-611-010	CONN,16P CAM-B51	A.....
D	611	87-070-334-080	ZENER,MTZJ10B	A.....
D	621	87-017-931-080	ZENER,MTZJ5.6B	A.....

ELECTRICAL MAIN PARTS LIST - 3/4 <CT-FX719>

D	632	87-001-783-080	DIODE,1N4002	A.....
D	631	87-001-783-080	DIODE,1N4002	A.....
D	634	87-017-931-080	ZENER,MTZJ5.6B	A.....
D	633	87-A40-002-080	ZENER,MTZJ5.1C	A.....
D	635	87-A40-620-080	ZENER,MTZJ6.2A	A.....
D	641	87-070-136-080	ZENER,MTZJ5.1B	A.....
D	671	87-070-136-080	ZENER,MTZJ5.1B	A.....
D	881	87-001-783-080	DIODE,1N4002	A.....
D	882	87-001-783-080	DIODE,1N4002	A.....
F	881	8Z-KT1-617-010	FUSE,10A 32V	A.....
IC	641	88-KT1-606-080	IC,PST994D	A.....
IC	651	88-KTD-604-010	IC,BA09T	A.....
L	881	8Z-KT1-615-010	FLTR,AMORPHOUS -CHOKE	A.....
PL	701	8Z-KT1-641-010	LAMP,T-3	A.....
Q	604	87-A30-287-040	C-TR,DTC114TKA	A.....
Q	603	87-A30-287-040	C-TR,DTC114TKA	A.....
Q	601	87-A30-290-010	TR,KTA1658(Y)	A.....
Q	602	87-A30-290-010	TR,KTA1658(Y)	A.....
Q	611	87-A30-291-010	TR,KTC4369(Y)	A.....
Q	621	87-A30-292-010	TR,KTC3205(Y)	A.....
Q	633	87-A30-287-040	C-TR,DTC114TKA	A.....
Q	632	87-A30-287-040	C-TR,DTC114TKA	A.....
Q	631	87-A30-292-010	TR,KTC3205(Y)	A.....
Q	702	87-A30-287-040	C-TR,DTC114TKA	A.....
Q	701	87-A30-294-040	C-TR,DTB123YK	A.....
R	605	88-148-102-080	C-RES,1K-1/2W J	A.....
C	862	87-010-494-040	CAP,E 1-50 GAS	A.....
C	861	87-010-494-040	CAP,E 1-50 GAS	A.....
CON	851	8Z-KT1-613-010	CONN,16P CAM-C74	A.....
D	853	87-017-932-080	ZENER,MTJ6.2B	A.....
D	857	87-017-932-080	ZENER,MTJ6.2B	A.....
D	852	87-017-932-080	ZENER,MTJ6.2B	A.....
D	855	87-017-932-080	ZENER,MTJ6.2B	A.....
D	856	87-017-932-080	ZENER,MTJ6.2B	A.....
D	851	87-017-932-080	ZENER,MTJ6.2B	A.....
D	860	87-017-932-080	ZENER,MTJ6.2B	A.....
SW	702	87-036-220-080	C-SW,T	A.....
C	381	87-010-196-080	CHIP CAPACITOR,0.1-25	A.....
C	453	87-010-498-040	CAP,E 10-16 GAS	A.....
C	452	87-010-498-040	CAP,E 10-16 GAS	A.....
C	451	87-010-498-040	CAP,E 10-16 GAS	A.....
C	454	87-010-498-040	CAP,E 10-16 GAS	A.....
C	455	87-012-140-080	CAP 470P	A.....
C	458	87-012-140-080	CAP 470P	A.....
C	457	87-012-140-080	CAP 470P	A.....
C	456	87-012-140-080	CAP 470P	A.....
J	451	88-KTA-604-010	JACK,PIN 4P V-TYPE	A.....
Q	381	89-324-122-080	TR,2SC2412K	A.....
Q	901	87-010-176-080	C-CAP,S 680P-50 SL	A.....
C	903	87-010-194-080	CAP,CHIP 0.047	A.....
C	902	87-010-194-080	CAP,CHIP 0.047	A.....
C	901	87-010-196-080	CHIP CAPACITOR,0.1-25	A.....
C	921	87-010-196-080	CHIP CAPACITOR,0.1-25	A.....
CON	901	8Z-KT1-612-010	CONN,16P CAM-C73	A.....
D	907	87-020-585-080	CHIP-ZENER,02CZ6.2Y	A.....
D	906	87-020-585-080	CHIP-ZENER,02CZ6.2Y	A.....
D	908	87-020-585-080	CHIP-ZENER,02CZ6.2Y	A.....
D	909	87-020-585-080	CHIP-ZENER,02CZ6.2Y	A.....
D	921	87-020-585-080	CHIP-ZENER,02CZ6.2Y	A.....
IC	902	87-A90-951-010	RCR UNIT,SBX1971-52	A.....
IC	901	88-KT1-608-010	C-IC,LC75854W	A.....
J	901	87-A60-249-010	JACK,MOJ-B32	A.....
LCD	901	8Z-KT1-608-010	LCD,ZKT-3	A.....
LED	909	87-017-828-070	C-LED,SEL 1401C GRN	A.....
LED	906	87-017-828-070	C-LED,SEL 1401C GRN	A.....
LED	907	87-017-828-070	C-LED,SEL 1401C GRN	A.....
LED	903	87-017-828-070	C-LED,SEL 1401C GRN	A.....
LED	908	87-017-828-070	C-LED,SEL 1401C GRN	A.....
LED	905	87-017-828-070	C-LED,SEL 1401C GRN	A.....
LED	904	87-017-828-070	C-LED,SEL 1401C GRN	A.....
LED	902	87-017-828-070	C-LED,SEL 1401C GRN	A.....
LED	901	87-017-828-070	C-LED,SEL 1401C GRN	A.....
LED	919	87-017-828-070	C-LED,SEL 1401C GRN	A.....
LED	917	87-017-828-070	C-LED,SEL 1401C GRN	A.....
LED	911	87-017-828-070	C-LED,SEL 1401C GRN	A.....
LED	918	87-017-828-070	C-LED,SEL 1401C GRN	A.....
LED	913	87-017-828-070	C-LED,SEL 1401C GRN	A.....
LED	910	87-017-828-070	C-LED,SEL 1401C GRN	A.....
LED	915	87-017-828-070	C-LED,SEL 1401C GRN	A.....
LED	912	87-017-828-070	C-LED,SEL 1401C GRN	A.....
LED	914	87-017-828-070	C-LED,SEL 1401C GRN	A.....
LED	916	87-017-828-070	C-LED,SEL 1401C GRN	A.....
LED	920	87-017-828-070	C-LED,SEL 1401C GRN	A.....
LED	921	87-017-828-070	C-LED,SEL 1401C GRN	A.....
PL	901	8Z-KT1-641-010	LAMP,T-3	A.....
PL	902	8Z-KT1-641-010	LAMP,T-3	A.....
SW	903	87-A90-001-080	C-SW,TACT SKQMAL	A.....
SW	906	87-A90-001-080	C-SW,TACT SKQMAL	A.....
SW	907	87-A90-001-080	C-SW,TACT SKQMAL	A.....
SW	901	87-A90-001-080	C-SW,TACT SKQMAL	A.....
SW	905	87-A90-001-080	C-SW,TACT SKQMAL	A.....
SW	908	87-A91-159-010	SW,TACT SKHLAD	A.....

ELECTRICAL MAIN PARTS LIST - 4/4 <CT-FX719>

SW	904	87-A91-159-010	SW,TACT SKHLAD	A.....
SW	902	87-A91-159-010	SW,TACT SKHLAD	A.....
SW	909	87-A91-159-010	SW,TACT SKHLAD	A.....
SW	911	87-A90-001-080	C-SW,TACT SKQMAL	A.....
SW	919	87-A90-001-080	C-SW,TACT SKQMAL	A.....
SW	916	87-A90-001-080	C-SW,TACT SKQMAL	A.....
SW	912	87-A90-001-080	C-SW,TACT SKQMAL	A.....
SW	917	87-A90-001-080	C-SW,TACT SKQMAL	A.....
SW	914	87-A90-001-080	C-SW,TACT SKQMAL	A.....
SW	913	87-A90-001-080	C-SW,TACT SKQMAL	A.....
SW	915	87-A90-001-080	C-SW,TACT SKQMAL	A.....
SW	918	87-A90-001-080	C-SW,TACT SKQMAL	A.....
SW	910	87-A91-159-010	SW,TACT SKHLAD	A.....
SW	920	87-A90-001-080	C-SW,TACT SKQMAL	A.....
SW	921	87-A90-001-080	C-SW,TACT SKQMAL	A.....

MECHANICAL PARTS LIST - 1/1 <CT-FX719>

NOTE: The characters in the suffix column indicate the part usage.

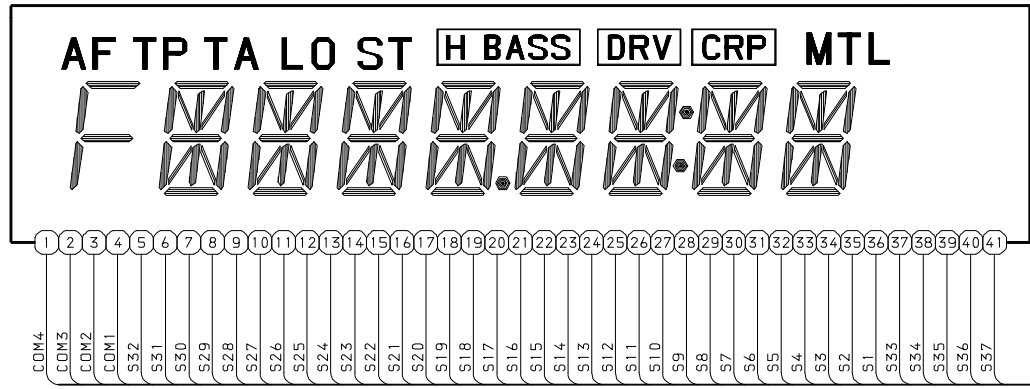
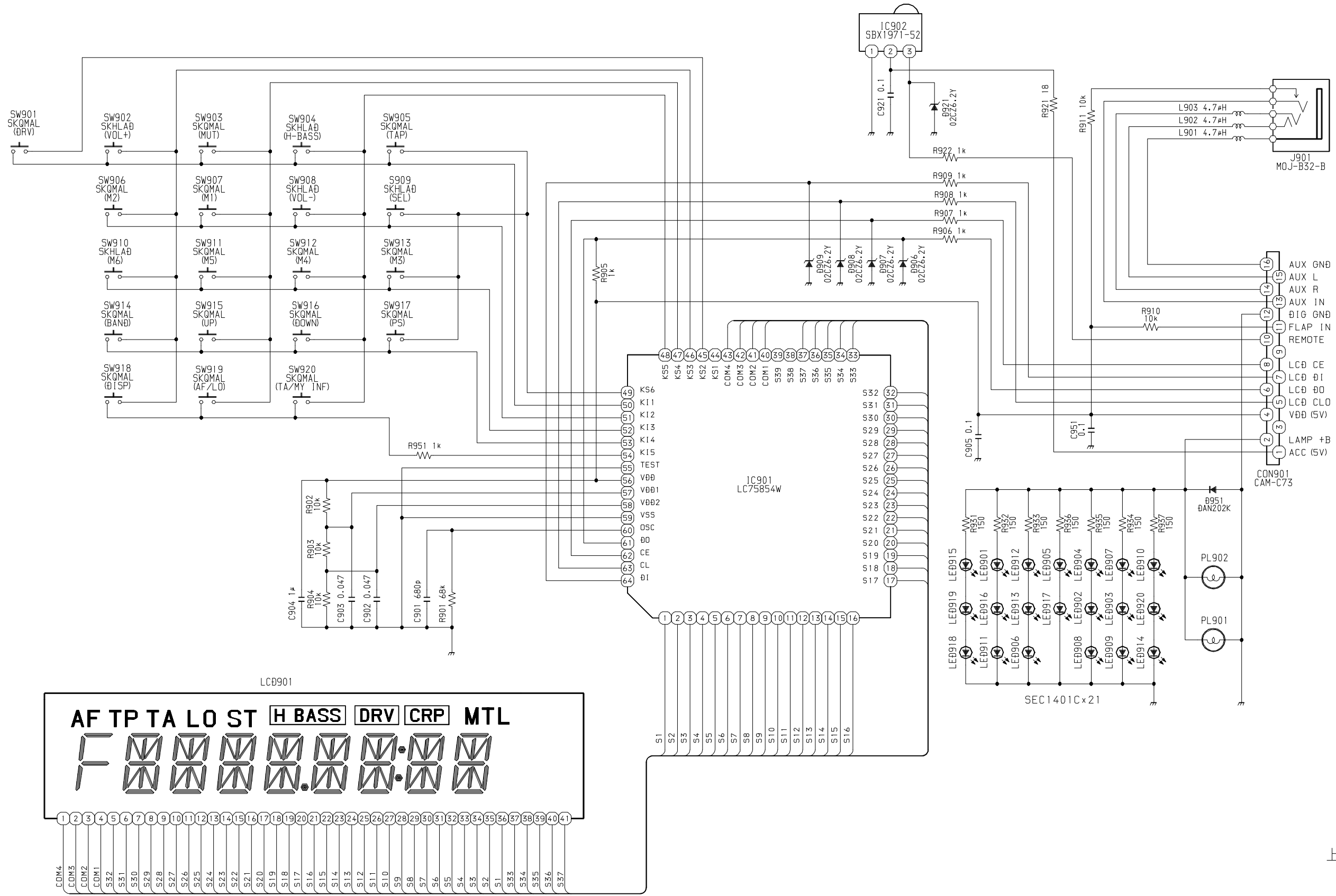
REF.NO	PARTS NO.	NO.	DESCRIPTION	SUFFIX
YZ		XX		A
		KANRI		
8Z-KT1-002-010			CABI, REAR F-T	A
8Z-KT1-021-010			CABI, BASE F-T	A
8Z-KT1-022-010			CABI, TRIM F-T	A
8Z-KT1-023-010			DOOR, CASS	A
8Z-KT5-004-010			CABI, FRONT F -T5	A
8Z-KT8-001-010			WINDOW, LCD FX719	A
8Z-KT8-002-010			WINDOW, LCD FX7019	A
8Z-KT8-003-010			RING, OVAL RTF -T	A
8Z-KT1-007-010			BTN, +/- -T	A
8Z-KT1-008-010			BTN, SEL -T	A
8Z-KT1-009-010			BTN, MUTE -T	A
8Z-KT1-010-010			BTN, H-BASS -T	A
8Z-KT1-011-010			BTN, U/D -T	A
8Z-KT1-012-010			BTN, DRV -T	A
8Z-KT1-016-010			BTN, OPEN F -T	A
8Z-KT1-018-010			BTN, EJ F-T	A
8Z-KT3-002-010			BTN, P.SET -T3	A
8Z-KT4-003-010			BTN, TWIN BAND -T	A
8Z-KT5-003-010			BTN, TETRA DALD -T	A
8Z-KT5-019-010			BTN, M. INF -T	A
8Z-KT1-201-010			ARM, F-LOCK -T	A
8Z-KT1-202-010			LEVER, F-OPEN -T	A
8Z-KT1-203-010			GEAR, FLAP -T	A
8Z-KT1-204-010			HLDR, F-HOOK L -T	A
8Z-KT1-205-010			HLDR, F-HOOK R -T	A
8Z-KT1-206-010			CASE, LCD LENS F -T	A
8Z-KT1-207-010			LENS, LCD F -T	A
8Z-KT1-208-010			LENS, BASE -T	A
8Z-KT1-209-010			LENS, IR -T	A
8Z-KT1-211-010			COVER, TOP -T	A
8Z-KT1-212-010			COVER, BOTTOM -T	A
8Z-KT1-215-010			HLDR, P-IC -T	A
8Z-KT1-216-010			HLDR, DECK CDS522	A
8Z-KT1-219-010			HLDR, TR -T	A
8Z-KT1-220-010			HLDR, JACK F -T	A
8Z-KT1-222-010			ARM, SENSOR F -T	A
8Z-KT1-225-010			HLDR, LCD F -T	A
8Z-KT1-229-010			HLDR, DAMPER F ASS'Y-T	A
8Z-KT1-230-010			HLDR, DFP ASS'Y-T	A
8Z-KT1-235-010			COVER, CONN.BLIND -T	A
8Z-KT1-236-010			CAP, LAMP BLU	A
8Z-KT1-237-010			CAP, LAMP GRN	A
8Z-KT1-241-010			SPR-C, DFP HOOK F -T	A
8Z-KT1-242-010			SPR-C, OPEN BTN F -T	A
8Z-KT1-243-010			SPR-T, FLAP -T	A
8Z-KT1-244-010			SPR-T, DOOR Z	A
8Z-KT1-248-010			SPR-T, SENSOR F -T	A
8Z-KT1-250-010			OIL-DMPR, 100	A
8Z-KT1-257-010			HLDR, ISO-WIRE -T	A
8Z-KT1-260-010			SPR-T, F.LOCK-T	A
8Z-KT4-201-010			COVER, CD BLIND -T	A
8Z-KT5-020-010			HLDR, M. INF -T	A
8Z-KT5-201-010			COVER, ISO BLIND -T	A
87-251-073-410			SCREW, U+2.6-6	A
87-251-075-410			U+2.6-10	A
87-251-096-410			U+3-10	A
87-253-034-410			U+2-5 BLK	A
87-B10-210-010			UT2+3.0-6.0 W/O SLOT (BH TAP)	A
88-KT1-250-010			S-SCREW, THIN HEAD+2.6-4 BLK	A
8Z-KT1-246-010			S-SCREW, 2.0-2.5 -10	A
8Z-KT1-247-010			S-SCREW, GEAR2.0-1.8 -4.2	A
8Z-KT1-253-010			S-SCREW, PT 2*8 BH+ BLK	A
8Z-KT1-254-010			S-SCREW, PT 2*5 BH+ BLK	A

ACCESSORIES/PACKAGE LIST-1/1<CT-FX719>

NOTE: The characters in the suffix column indicate the part usage.

YZ	XX.....	A.....		
REF.NO	PARTS NO.	KANRI NO.	DESCRIPTION	SUFFIX
	8Z-KT7-901-010		IB,YU(3L) 729M/719	A.....
	8Z-KT7-902-010		IB,INST,YU (3L)729M/719	A.....
	8Z-KT7-903-010		IB,YL(3L) 7029M/7019
	8Z-KT7-904-010		IB,INST,YL (3L)7029M/7019
	8Z-KT7-905-010		IB,YH,Y(EA CK CH)729M/719
	8Z-KT7-906-010		IB,INST,YH,Y (EA CK CH)729M/71
	8Z-KT8-901-010		IB,YZ(9L) 719
	8Z-KT8-902-010		IB,INST,YZ (6L)719
	8Z-KT8-903-010		IB,INST,YZ (CZ-PO-H)719
	86-KT1-237-010		HLDR,REAR MTG	A.....
	87-B10-141-010		NUT,5 TYPE-2	A.....
	87-B10-144-010		W,5.2-10-0.5	A.....
	87-B10-145-010		W-SPR,5.3-8.5-1.5	A.....
	88-KT1-250-010		S-SCREW,THIN HEAD+2.6-4 BLK	A.....
	8Z-KT1-030-010		CASE,DFP -T	A.....
	8Z-KT1-231-010		HLDR,HALF -T	A.....
	8Z-KT1-232-010		KEY,REMOVE -T	A.....
*	87-B10-143-010		UT1+5-15 W/O SLOT	A.....
*	88-KT1-247-010		S-SCREW,HEXAGON	A.....
*	8Z-KT1-251-010		S-SCREW,5*6 TH+ TAPPING ST	A.....
*	8Z-KT1-616-010		CONN ASSY,16P B52	A.....

SCHEMATIC DIAGRAM - 2 <CT-FX719>



ZKT-8 (P2)

上本

8Z KT3 604 01

MP
ZKT-8

26 DEC 1998

サービス技術ニュース	
番号	連絡内容
G- -	
G- -	
G- -	

アイワ株式会社
AIWA CO.,LTD.

9301896

Tokyo Japan