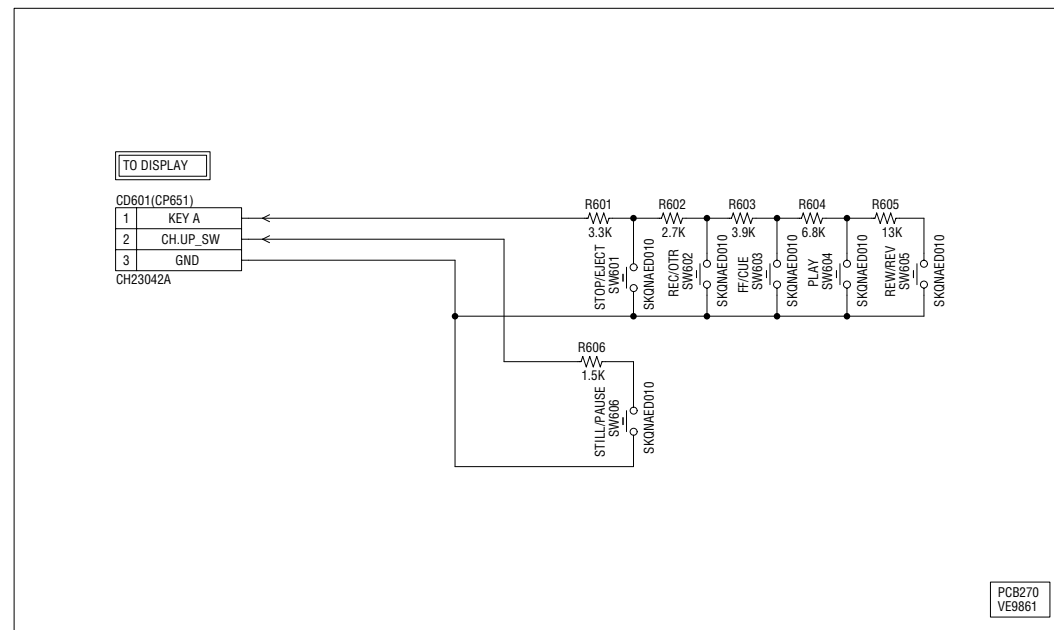


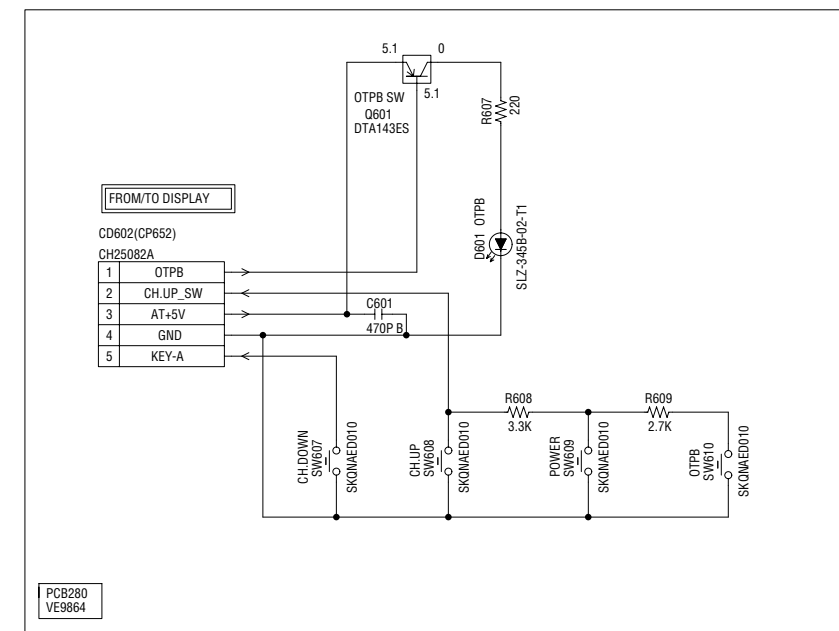
OPERATION SCHEMATIC DIAGRAM

(MODEL:HV-GX900K/HV-GX950K)

(OPERATION 1 PCB)



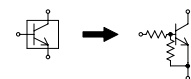
(OPERATION 2 PCB)



CAUTION: DIGITAL TRANSISTOR



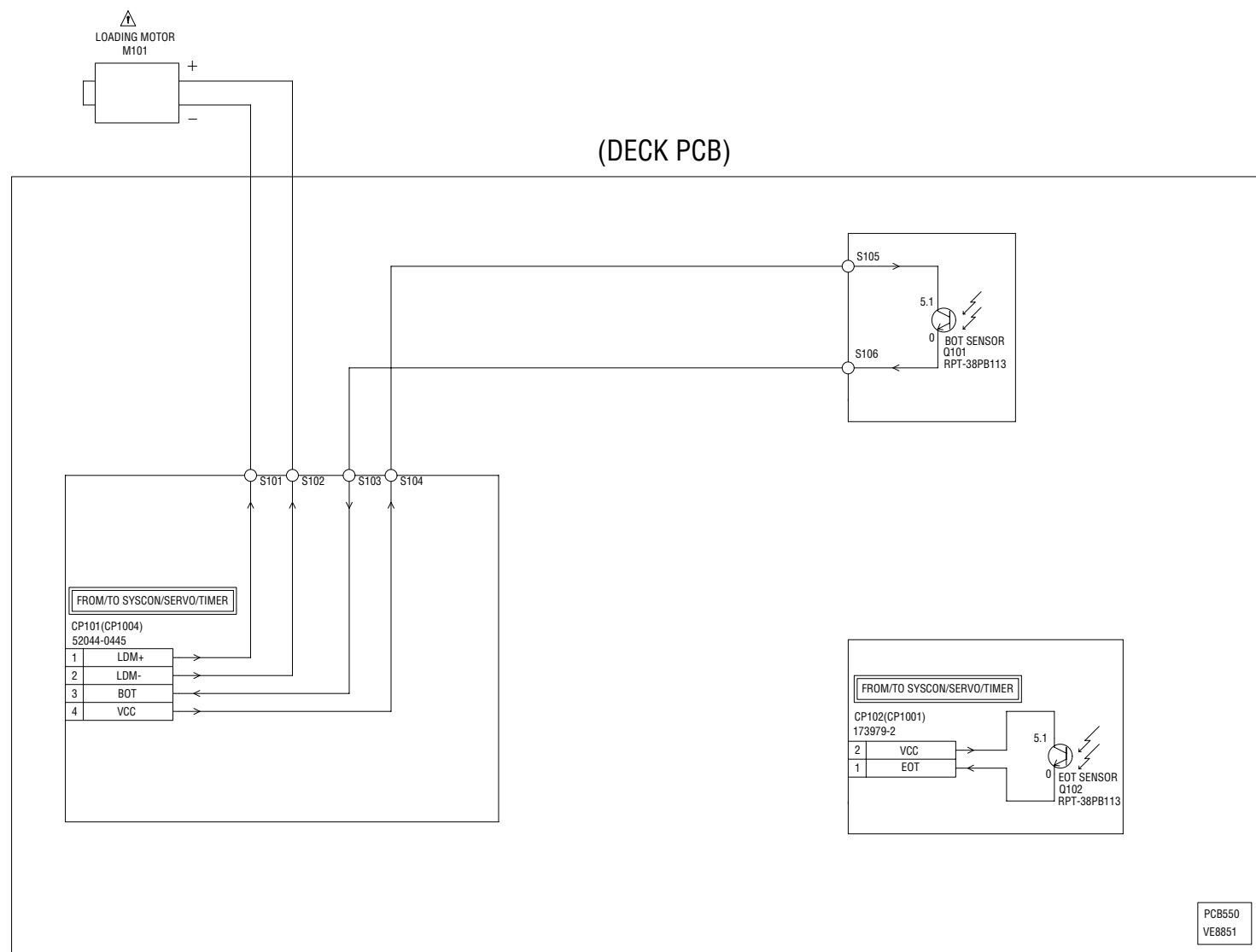
CAUTION: DIGITAL TRANSISTOR



NOTE: THE DC VOLTAGE AT EACH PART WAS MEASURED WITH THE DIGITAL TESTER DURING PLAYBACK.

NOTE: THIS SCHEMATIC DIAGRAM IS THE LATEST AT THE TIME OF PRINTING AND SUBJECT TO CHANGE WITHOUT NOTICE.

DECK SCHEMATIC DIAGRAM (MODEL:HV-GX900K/HV-GX950K)

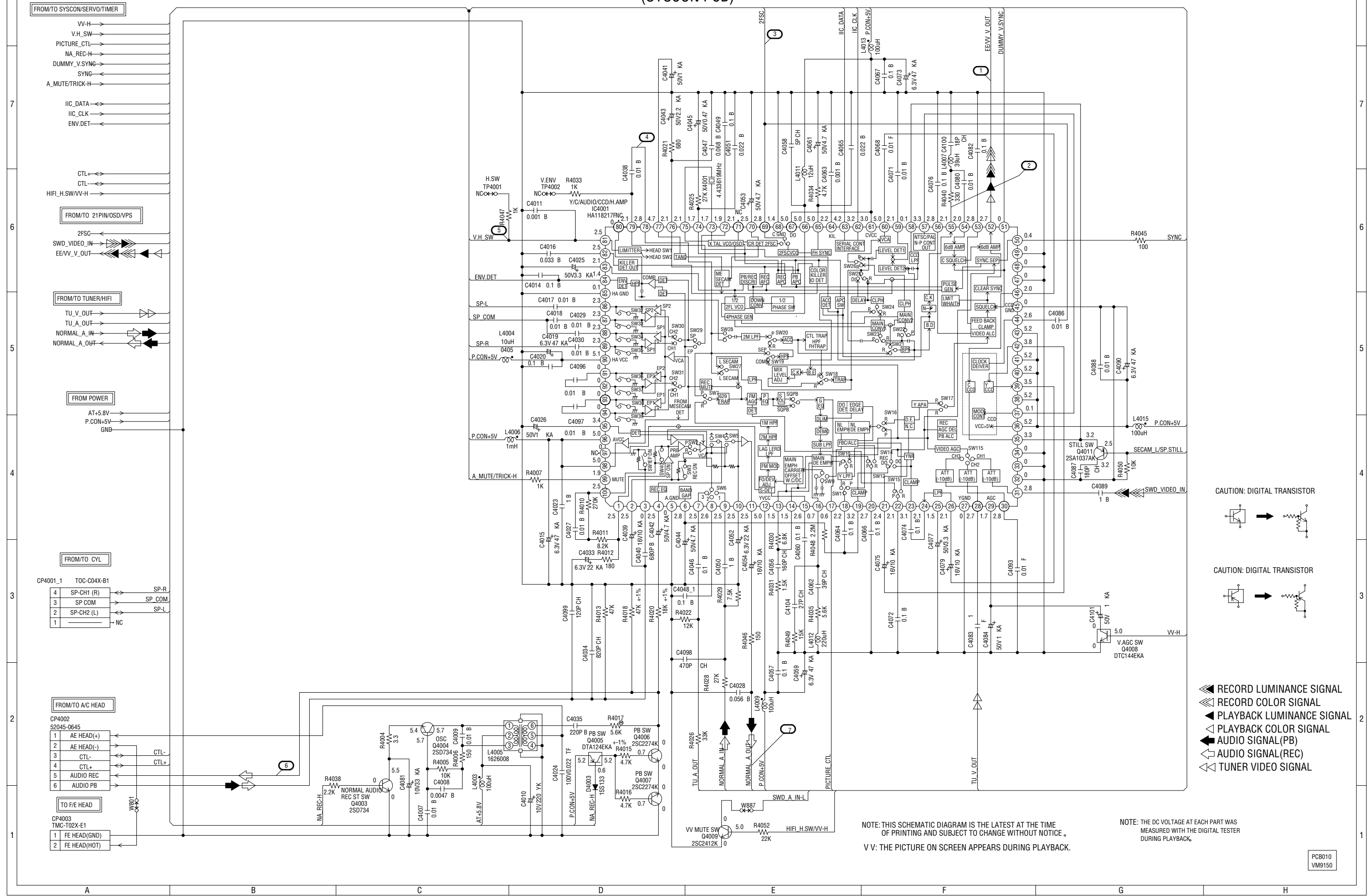


CAUTION: SINCE THESE PARTS MARKED BY ARE CRITICAL FOR SAFETY, USE ONES DESCRIBED IN PARTS LIST ONLY .

NOTE: THE DC VOLTAGE AT EACH PART WAS MEASURED WITH THE DIGITAL TESTER DURING PLAYBACK.

NOTE: THIS SCHEMATIC DIAGRAM IS THE LATEST AT THE TIME OF PRINTING AND SUBJECT TO CHANGE WITHOUT NOTICE .

Y/C/AUDIO/HEAD AMP SCHEMATIC DIAGRAM (MODEL:HV-GX900K) (SYSCON PCB)



CAUTION: DIGITAL TRANSISTOR

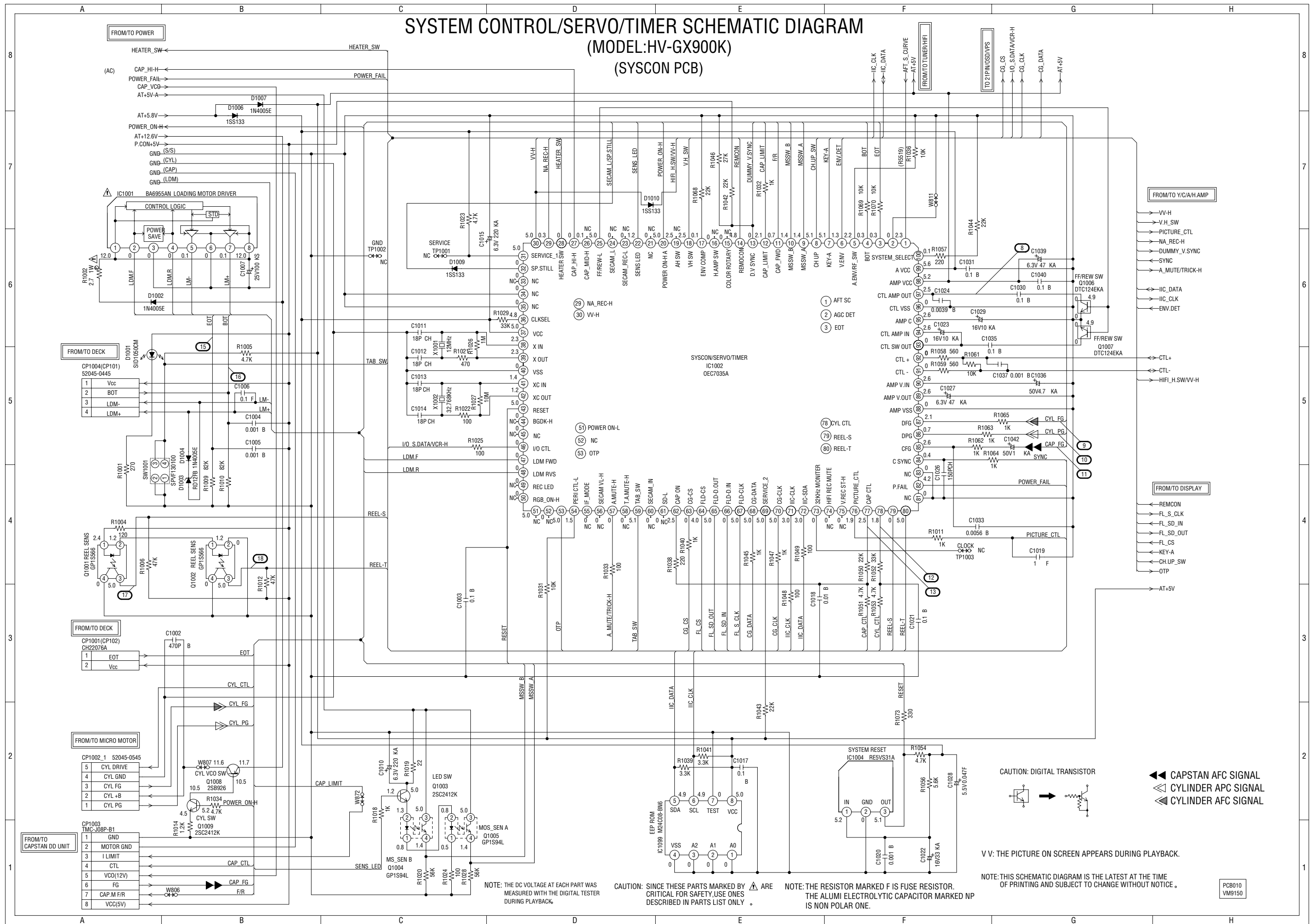
CAUTION: DIGITAL TRANSISTOR

- ▶ RECORD LUMINANCE SIGNAL
- ▶ RECORD COLOR SIGNAL
- ▶ PLAYBACK LUMINANCE SIGNAL
- ▶ PLAYBACK COLOR SIGNAL
- ▶ AUDIO SIGNAL (PB)
- ▶ AUDIO SIGNAL (REC)
- ▶ TUNER VIDEO SIGNAL

NOTE: THIS SCHEMATIC DIAGRAM IS THE LATEST AT THE TIME OF PRINTING AND SUBJECT TO CHANGE WITHOUT NOTICE.
V V: THE PICTURE ON SCREEN APPEARS DURING PLAYBACK.

NOTE: THE DC VOLTAGE AT EACH PART WAS MEASURED WITH THE DIGITAL TESTER DURING PLAYBACK.

SYSTEM CONTROL/SERVO/TIMER SCHEMATIC DIAGRAM (MODEL:HV-GX900K) (SYSCON PCB)



NOTE: THE DC VOLTAGE AT EACH PART WAS MEASURED WITH THE DIGITAL TESTER DURING PLAYBACK.

CAUTION: SINCE THESE PARTS MARKED WITH A TRIANGLE ARE CRITICAL FOR SAFETY, USE ONES DESCRIBED IN PARTS LIST ONLY.

NOTE: THE RESISTOR MARKED F IS FUSE RESISTOR. THE ALUMI ELECTROLYTIC CAPACITOR MARKED NP IS NON POLAR ONE.

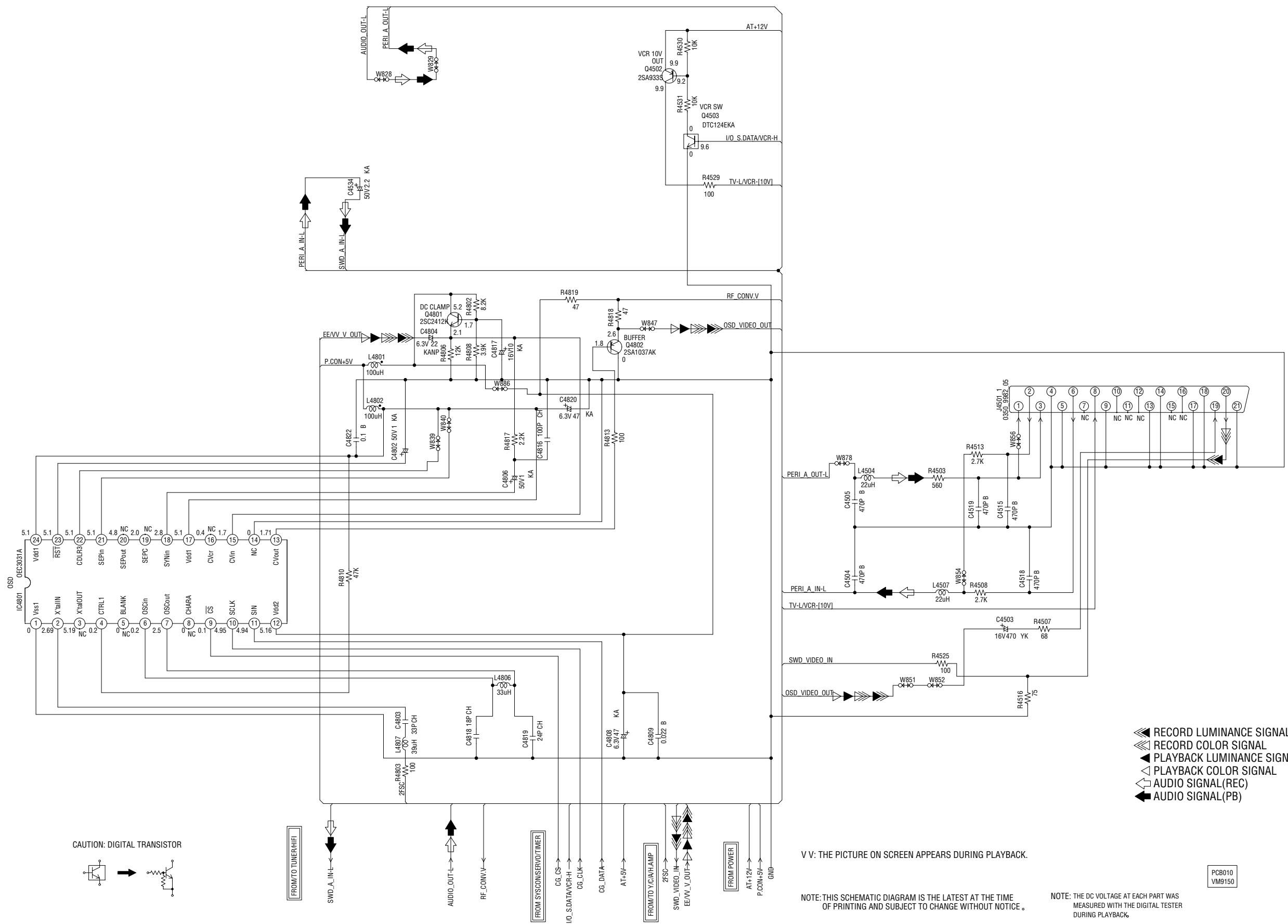
CAUTION: DIGITAL TRANSISTOR

V V: THE PICTURE ON SCREEN APPEARS DURING PLAYBACK.

NOTE: THIS SCHEMATIC DIAGRAM IS THE LATEST AT THE TIME OF PRINTING AND SUBJECT TO CHANGE WITHOUT NOTICE.

PCB010
VM9150

21PIN/OSD/VPS SCHEMATIC DIAGRAM (MODEL:HV-GX900K) (SYSCON PCB)



CAUTION: DIGITAL TRANSISTOR

- ▶ RECORD LUMINANCE SIGNAL
- ▶ RECORD COLOR SIGNAL
- ▶ PLAYBACK LUMINANCE SIGNAL
- ▶ PLAYBACK COLOR SIGNAL
- ▶ AUDIO SIGNAL(REC)
- ▶ AUDIO SIGNAL(PB)

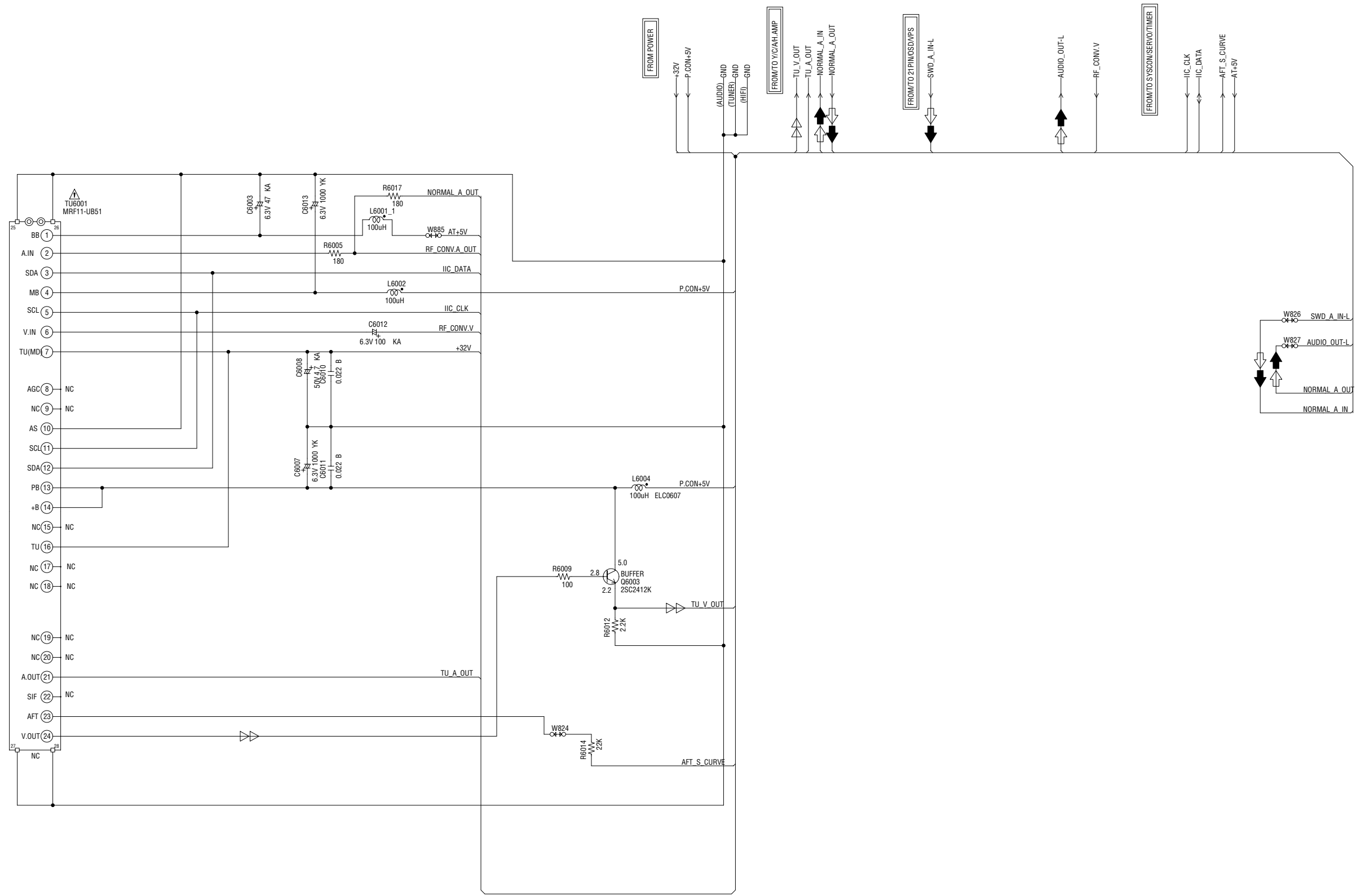
V V: THE PICTURE ON SCREEN APPEARS DURING PLAYBACK.

NOTE: THIS SCHEMATIC DIAGRAM IS THE LATEST AT THE TIME OF PRINTING AND SUBJECT TO CHANGE WITHOUT NOTICE.

NOTE: THE DC VOLTAGE AT EACH PART WAS MEASURED WITH THE DIGITAL TESTER DURING PLAYBACK.

PC8010
VM9150

TUNER/HIFI SCHEMATIC DIAGRAM (MODEL:HV-GX900K) (SYSCON PCB)



NOTE: THE DC VOLTAGE AT EACH PART WAS MEASURED WITH THE DIGITAL TESTER DURING PLAYBACK.

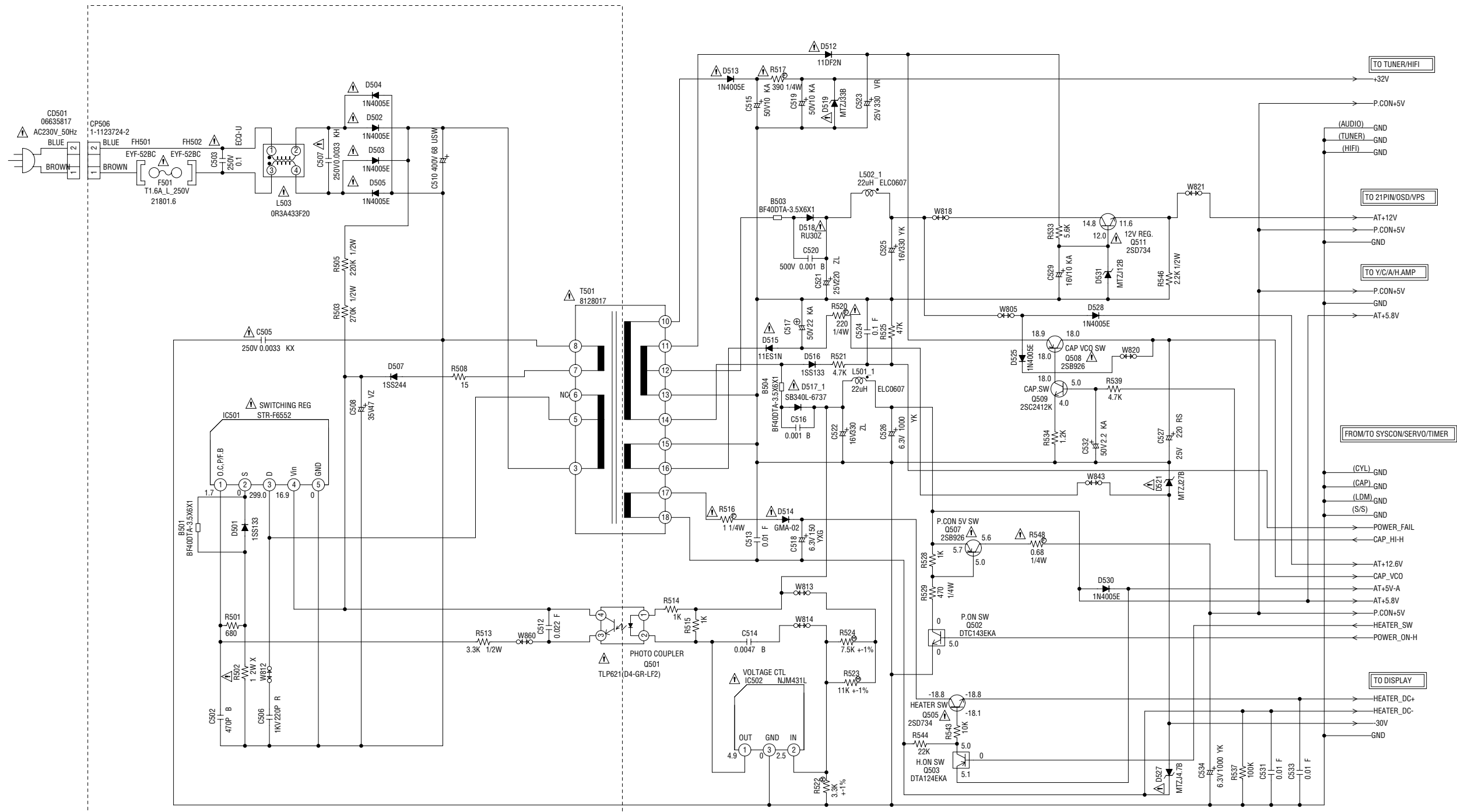
NOTE: THIS SCHEMATIC DIAGRAM IS THE LATEST AT THE TIME OF PRINTING AND SUBJECT TO CHANGE WITHOUT NOTICE.

CAUTION: SINCE THESE PARTS MARKED BY ARE CRITICAL FOR SAFETY, USE ONES DESCRIBED IN PARTS LIST ONLY.

TUNER VIDEO SIGNAL
 AUDIO SIGNAL(PB)
 AUDIO SIGNAL(REC)

PC8010
VM9150

POWER SCHEMATIC DIAGRAM (MODEL:HV-GX900K) (SYSCON PCB)

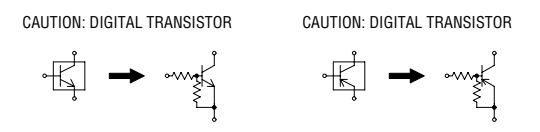


NOTE: THE RESISTOR MARKED F IS FUSE RESISTOR.
THE ALUMI ELECTROLYTIC CAPACITOR MARKED NP
IS NON POLAR ONE.

CAUTION: SINCE THESE PARTS MARKED BY Δ ARE
CRITICAL FOR SAFETY, USE ONES
DESCRIBED IN PARTS LIST ONLY.

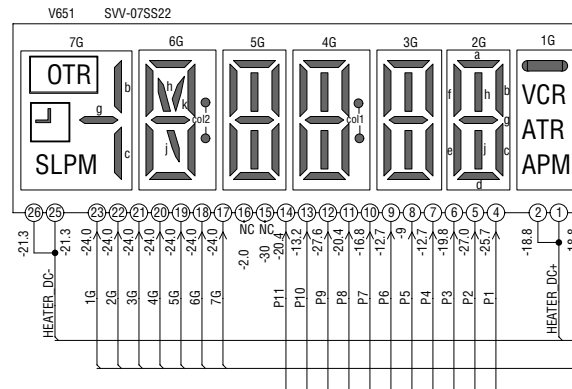
NOTE: THE DC VOLTAGE AT EACH PART WAS
MEASURED WITH THE DIGITAL TESTER
DURING PLAYBACK.

NOTE: THIS SCHEMATIC DIAGRAM IS THE LATEST AT THE TIME
OF PRINTING AND SUBJECT TO CHANGE WITHOUT NOTICE.



PCB010
VM9150

DISPLAY SCHEMATIC DIAGRAM (MODEL:HV-GX900K/HV-GX950K) (SYSCON PCB)



V651 (SVV-07SS22) ANODE CONNECTION

	7G	6G	5G	4G	3G	2G	1G
P1	S	h	h	h	h	h	M
P2	L	k	—	—	—	—	P
P3	M	col2	—	col1	—	—	A
P4	□	f	f	f	f	f	ATR
P5	b	b	b	b	b	b	VCR
P6	OTR	a	a	a	a	a	VCR
P7	g	g	g	g	g	g	—
P8	—	e	e	e	e	e	—
P9	P	j	j	j	j	j	—
P10	c	c	c	c	c	c	—
P11	—	d	d	d	d	d	—

FROM/TO OPERATION

CP652(CD602)
8283_0512_00_000

1	OTPB
2	CH.UP_SW
3	AT+5V
4	GND
5	KEY A

FROM OPERATION

CP651_1(CD601)
8283_0312_00_000

1	KEY-A
2	CH.UP_SW
3	GND

FROM POWER

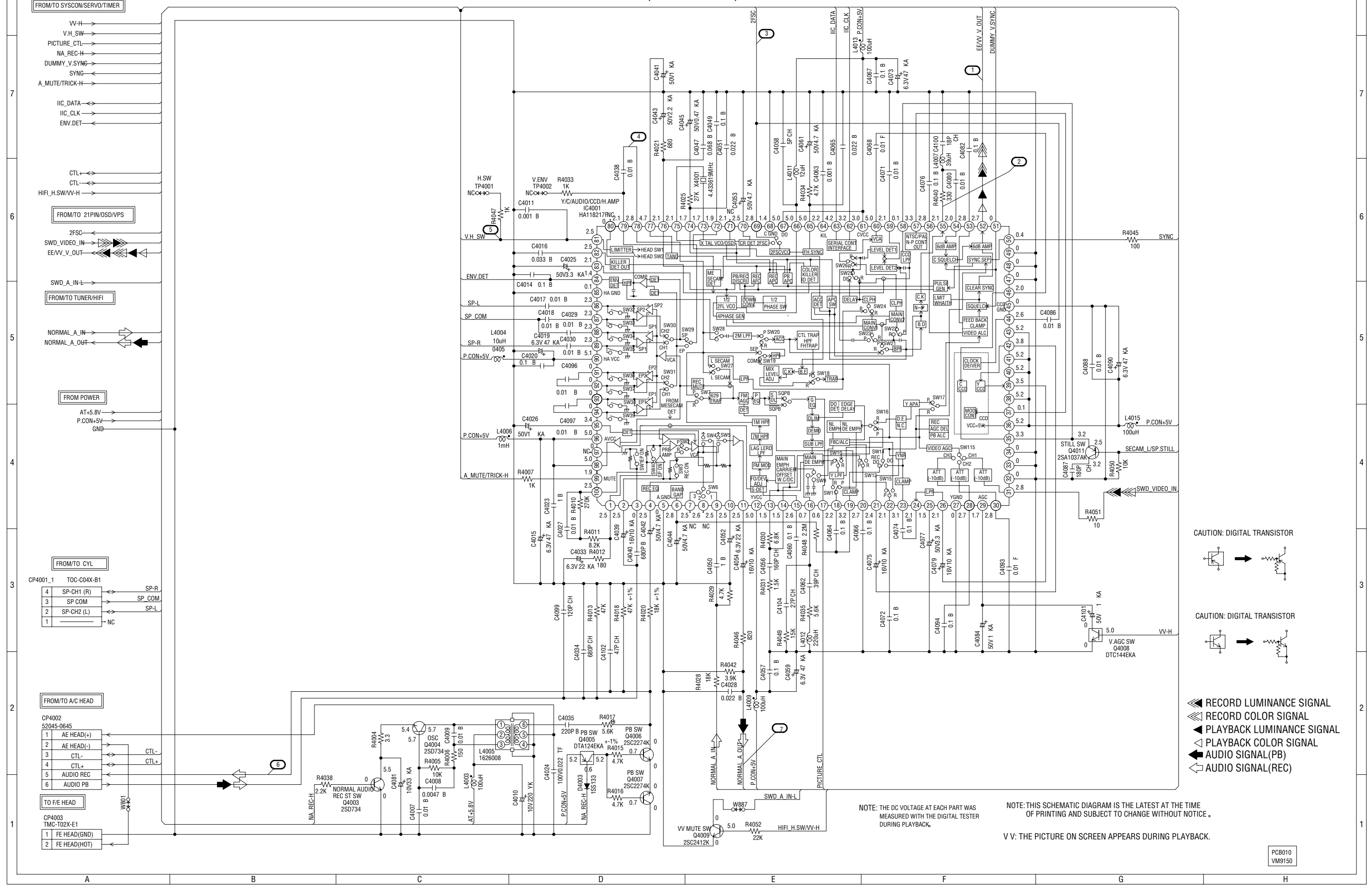
FROM/TO SYSCON/SERVO/TIMER

NOTE: THIS SCHEMATIC DIAGRAM IS THE LATEST AT THE TIME OF PRINTING AND SUBJECT TO CHANGE WITHOUT NOTICE.

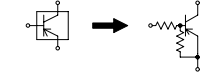
NOTE: THE DC VOLTAGE AT EACH PART WAS MEASURED WITH THE DIGITAL TESTER DURING PLAYBACK.

PCB010
VM9150

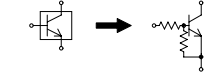
Y/C/AUDIO/HEAD AMP SCHEMATIC DIAGRAM (MODEL:HV-GX950K) (SYSCON PCB)



CAUTION: DIGITAL TRANSISTOR



CAUTION: DIGITAL TRANSISTOR



- ▶ RECORD LUMINANCE SIGNAL
- ▨ RECORD COLOR SIGNAL
- ◀ PLAYBACK LUMINANCE SIGNAL
- ▨◀ PLAYBACK COLOR SIGNAL
- ▶▶ AUDIO SIGNAL (PB)
- ◀◀ AUDIO SIGNAL (REC)

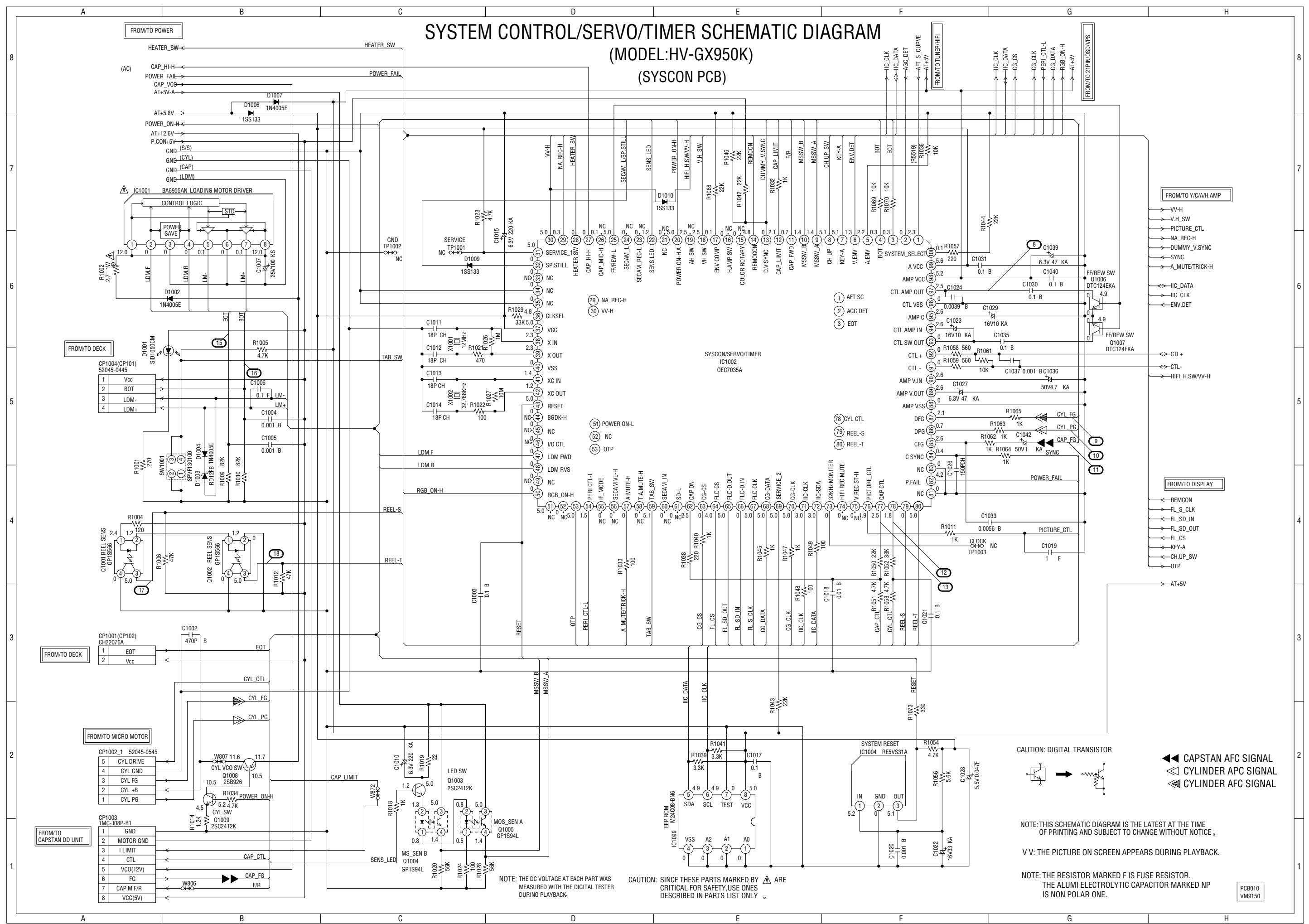
NOTE: THE DC VOLTAGE AT EACH PART WAS MEASURED WITH THE DIGITAL TESTER DURING PLAYBACK.

NOTE: THIS SCHEMATIC DIAGRAM IS THE LATEST AT THE TIME OF PRINTING AND SUBJECT TO CHANGE WITHOUT NOTICE.

V V: THE PICTURE ON SCREEN APPEARS DURING PLAYBACK.

PCB010
VM9150

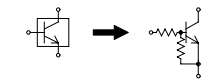
SYSTEM CONTROL/SERVO/TIMER SCHEMATIC DIAGRAM (MODEL:HV-GX950K) (SYSCON PCB)



NOTE: THE DC VOLTAGE AT EACH PART WAS MEASURED WITH THE DIGITAL TESTER DURING PLAYBACK.

CAUTION: SINCE THESE PARTS MARKED BY ARE CRITICAL FOR SAFETY, USE ONES DESCRIBED IN PARTS LIST ONLY.

CAUTION: DIGITAL TRANSISTOR



- CAPSTAN AFC SIGNAL
- CYLINDER APC SIGNAL
- CYLINDER AFC SIGNAL

NOTE: THIS SCHEMATIC DIAGRAM IS THE LATEST AT THE TIME OF PRINTING AND SUBJECT TO CHANGE WITHOUT NOTICE.

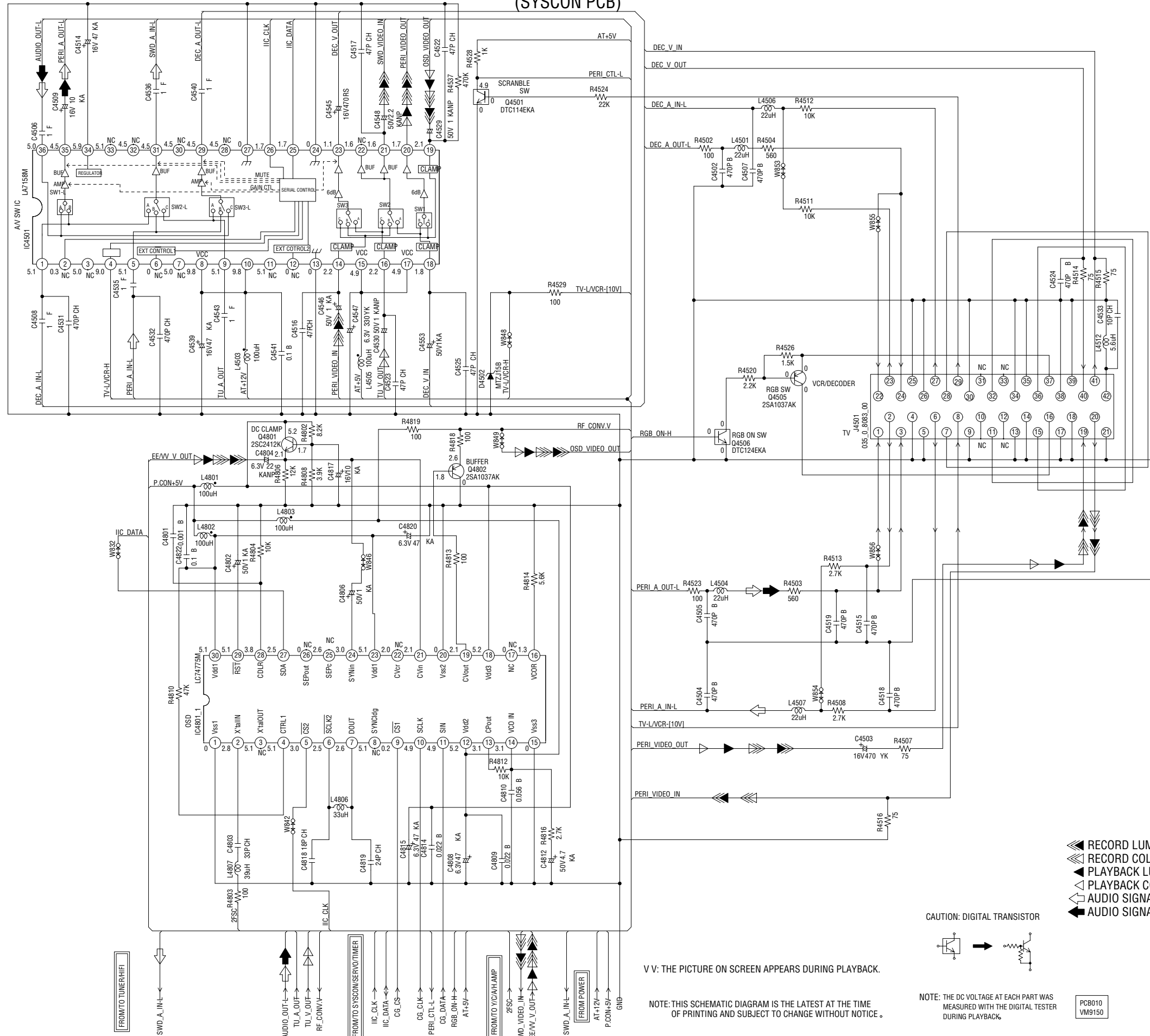
V V: THE PICTURE ON SCREEN APPEARS DURING PLAYBACK.

NOTE: THE RESISTOR MARKED F IS FUSE RESISTOR. THE ALUMI ELECTROLYTIC CAPACITOR MARKED NP IS NON POLAR ONE.

PCB010
VM9150

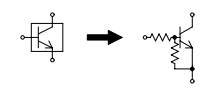
21PIN/OSD/VPS SCHEMATIC DIAGRAM (MODEL:HV-GX950K)

(SYSCON PCB)



- ▶ RECORD LUMINANCE SIGNAL
- ▬ RECORD COLOR SIGNAL
- ◐ PLAYBACK LUMINANCE SIGNAL
- ◐ PLAYBACK COLOR SIGNAL
- AUDIO SIGNAL (REC)
- ◐ AUDIO SIGNAL (PB)

CAUTION: DIGITAL TRANSISTOR



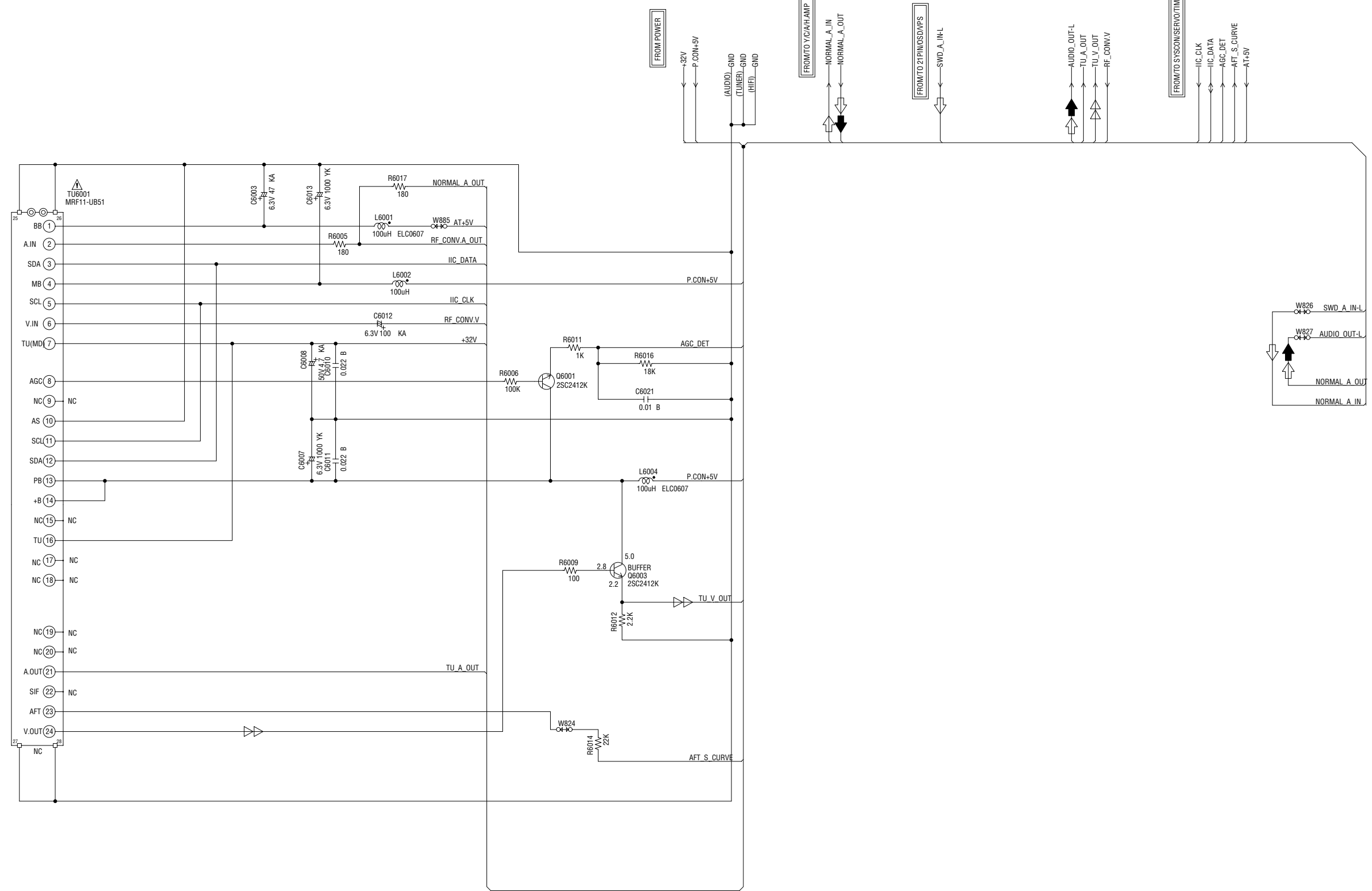
V V: THE PICTURE ON SCREEN APPEARS DURING PLAYBACK.

NOTE: THIS SCHEMATIC DIAGRAM IS THE LATEST AT THE TIME OF PRINTING AND SUBJECT TO CHANGE WITHOUT NOTICE.

NOTE: THE DC VOLTAGE AT EACH PART WAS MEASURED WITH THE DIGITAL TESTER DURING PLAYBACK.

PCB010
VM9150

TUNER/HIFI SCHEMATIC DIAGRAM (MODEL:HV-GX950K) (SYSCON PCB)



NOTE: THE DC VOLTAGE AT EACH PART WAS MEASURED WITH THE DIGITAL TESTER DURING PLAYBACK.

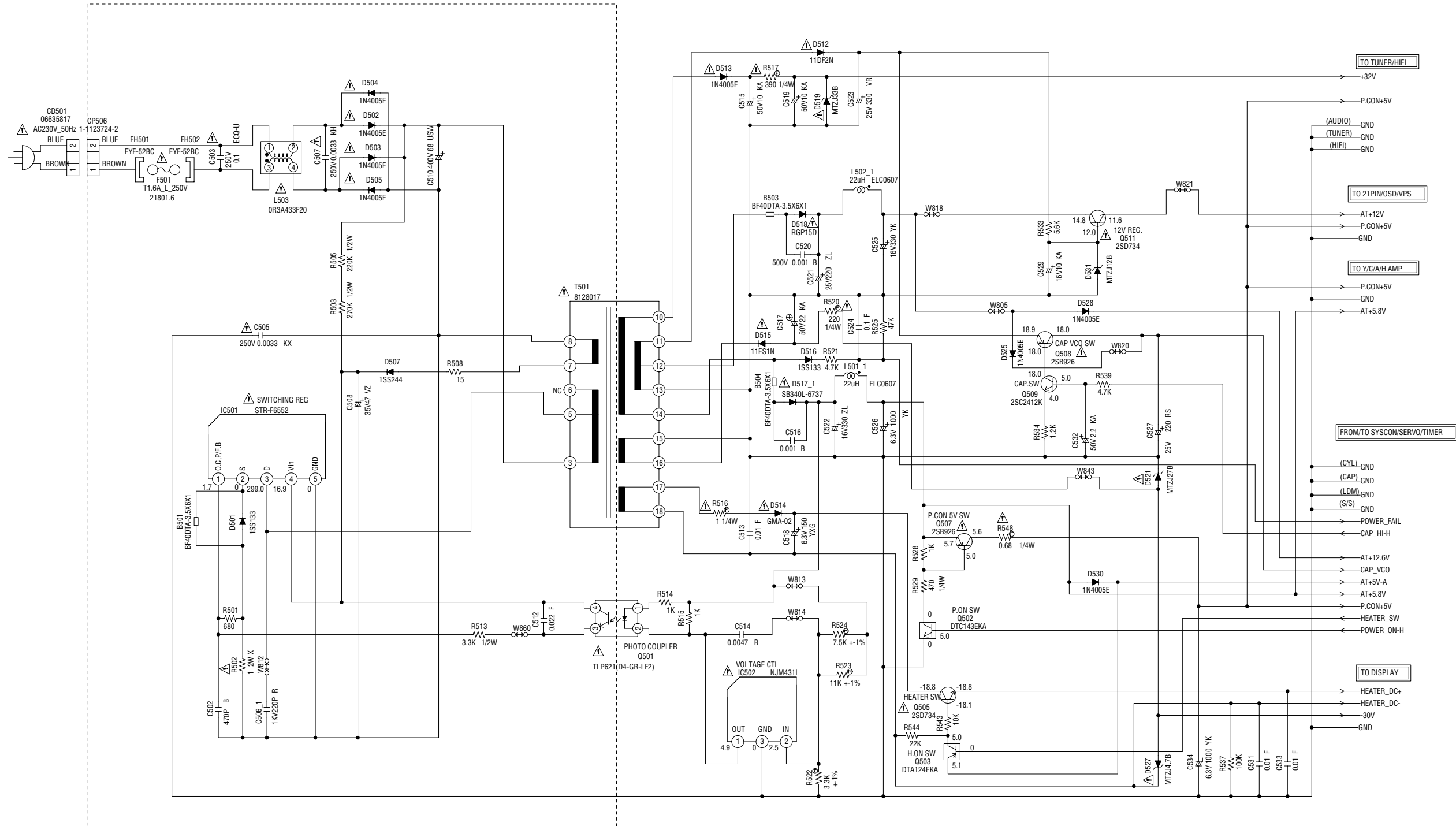
NOTE: THIS SCHEMATIC DIAGRAM IS THE LATEST AT THE TIME OF PRINTING AND SUBJECT TO CHANGE WITHOUT NOTICE.

CAUTION: SINCE THESE PARTS MARKED BY ARE CRITICAL FOR SAFETY, USE ONES DESCRIBED IN PARTS LIST ONLY.

TUNER VIDEO SIGNAL
 AUDIO SIGNAL(PB)
 AUDIO SIGNAL(REC)

PCB010
VM9150

POWER SCHEMATIC DIAGRAM (MODEL:HV-GX950K) (SYSCON PCB)



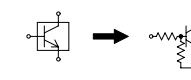
CAUTION: SINCE THESE PARTS MARKED BY ARE CRITICAL FOR SAFETY, USE ONES DESCRIBED IN PARTS LIST ONLY.

NOTE: THE RESISTOR MARKED F IS FUSE RESISTOR. THE ALUMI ELECTROLYTIC CAPACITOR MARKED NP IS NON POLAR ONE.

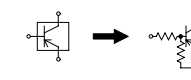
NOTE: THE DC VOLTAGE AT EACH PART WAS MEASURED WITH THE DIGITAL TESTER DURING PLAYBACK.

NOTE: THIS SCHEMATIC DIAGRAM IS THE LATEST AT THE TIME OF PRINTING AND SUBJECT TO CHANGE WITHOUT NOTICE.

CAUTION: DIGITAL TRANSISTOR



CAUTION: DIGITAL TRANSISTOR



PCB010
VM9150