

S/M No. : FR06100010

Service Manual

Refrigerator

Model: FR-061

DAEWOO



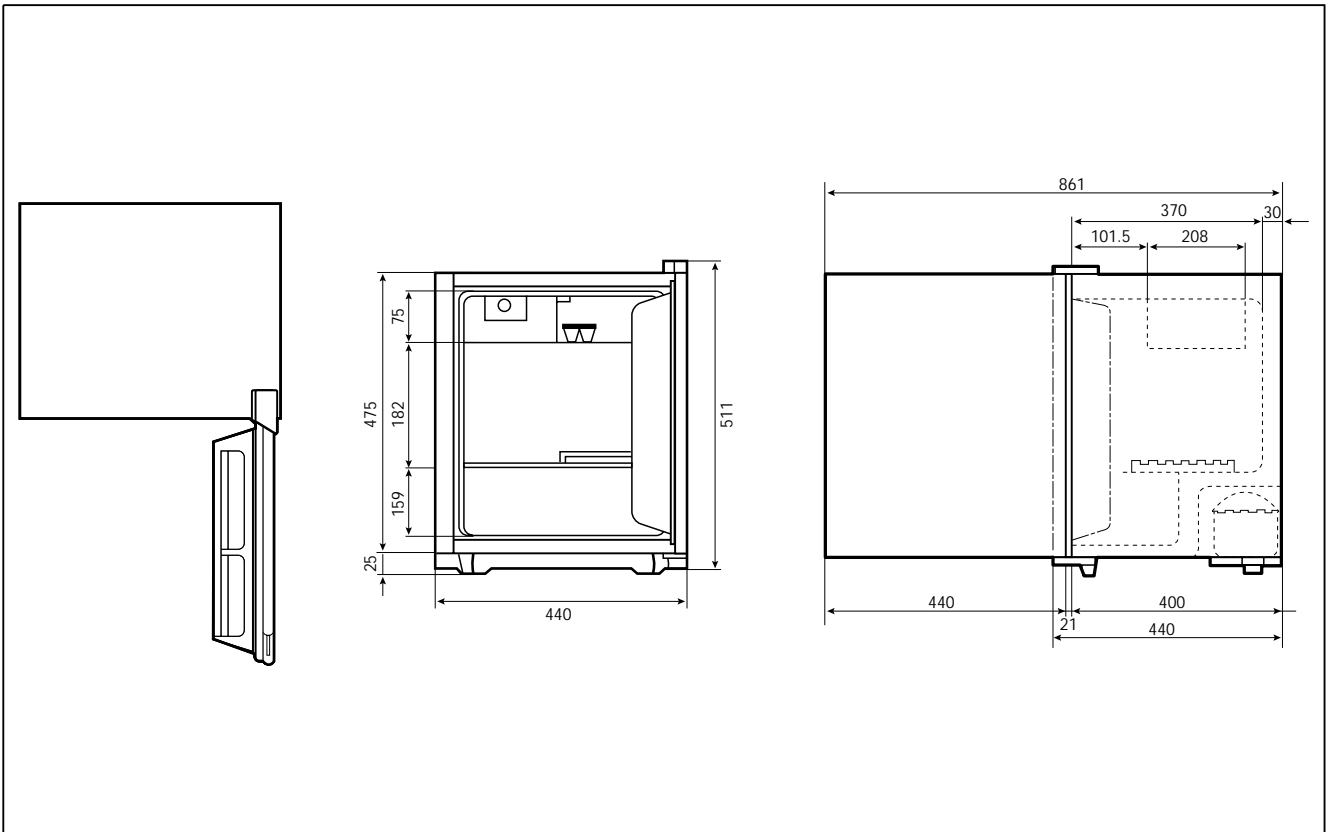
DAEWOO ELECTRONICS CO., LTD.

1. Specification -----	1
2. External view -----	2
3. Wire diagram -----	3
4. Name of parts-----	4
5. Refrigerant cycle diagram -----	5
6. Machine room view and part list-----	6
7. Main components -----	7
8. Door color specification -----	9
9. Exploded view and parts list -----	12

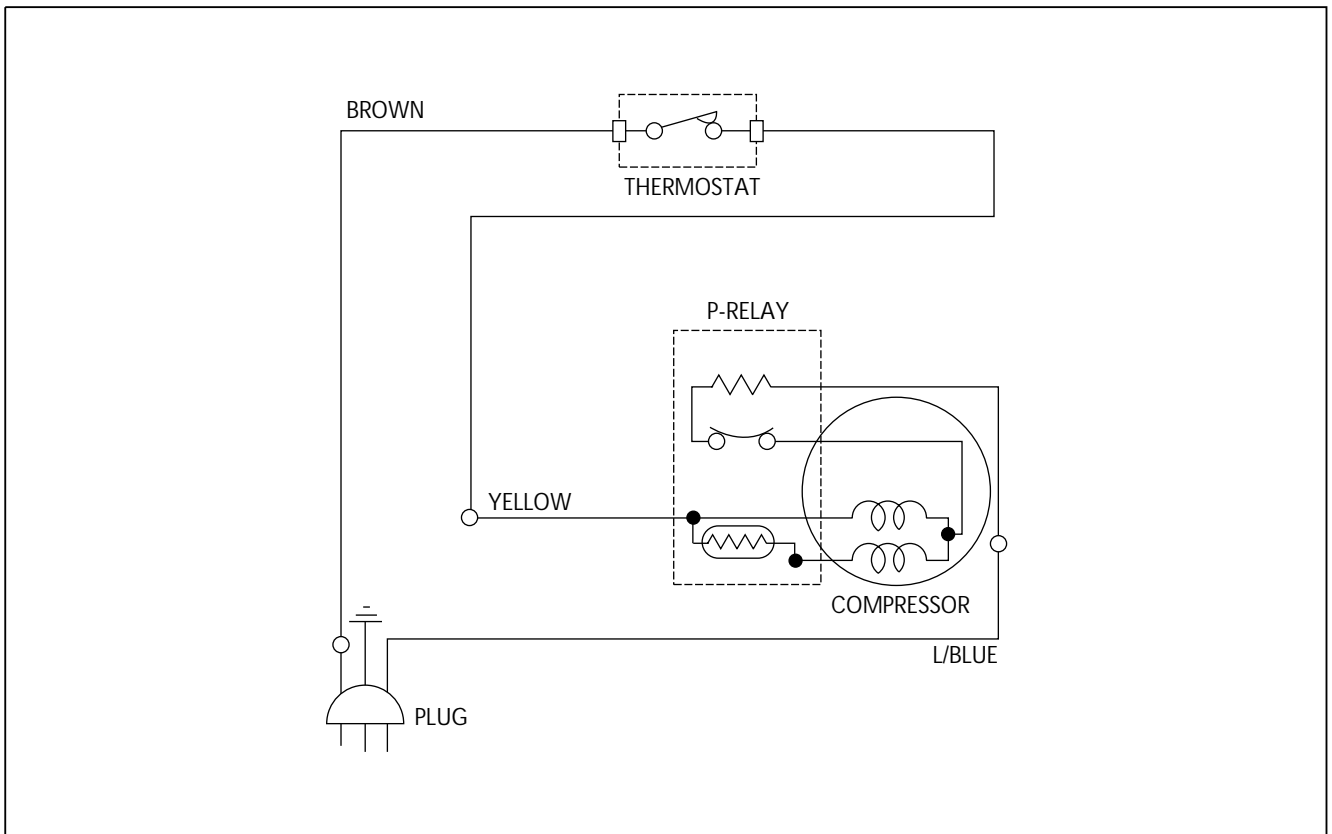
1. SPECIFICATION

MODEL NAME		FR-061
Refrigerant	R12	60g
	R134a	55g
Cooling System		Aluminumembossed Plat "Roll Bond" Type
Refrigeration System		Natural Cold-air Convection
Defrost System		Natural
Defrost Operation		Manual Start & Stop
Cold Control		Adjustable Dial
Capacity	Freezer	-
	Refrigerator	-
	Total	45 ℓ
External Dimension	Height	511mm
	Width	440mm
	Depth	452mm
Net Weight		15Kg

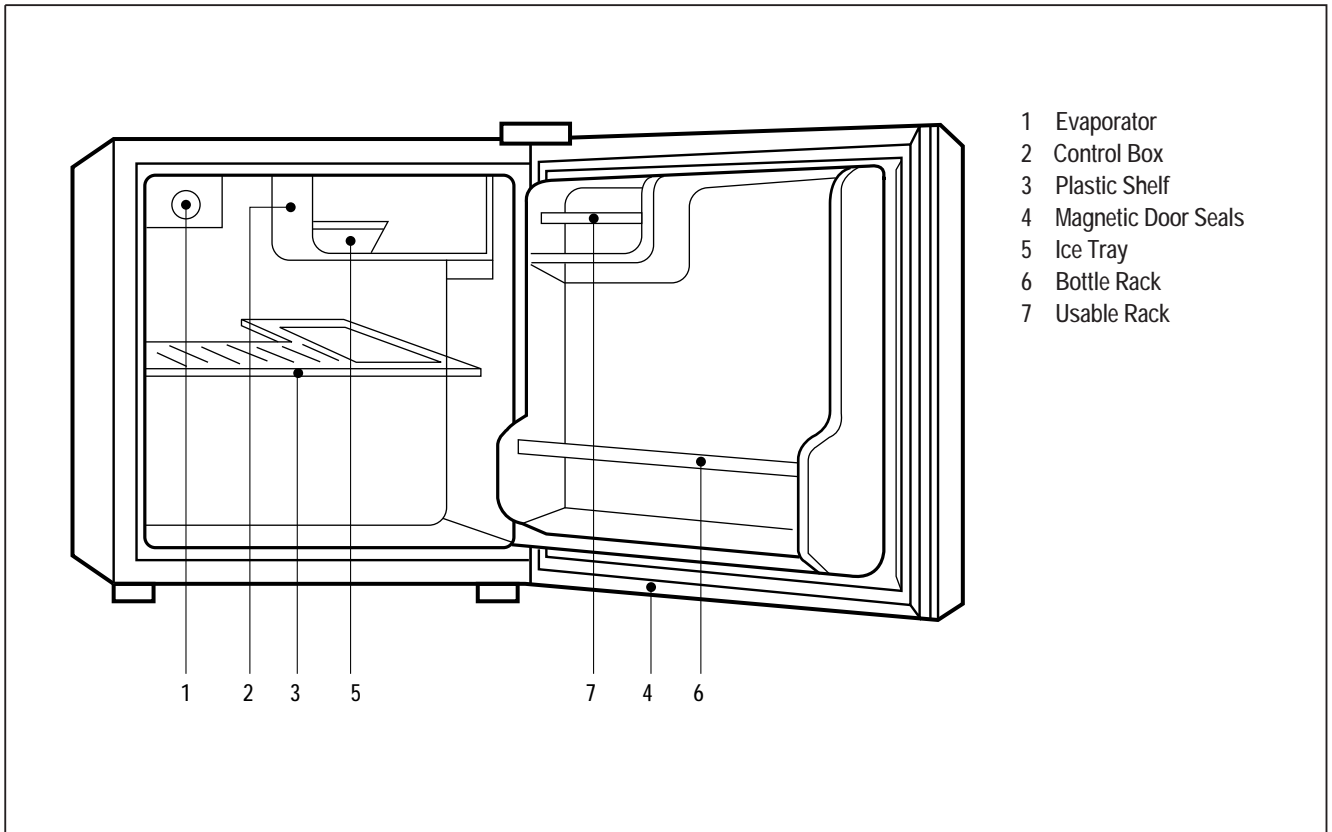
2. EXTERNAL VIEWS



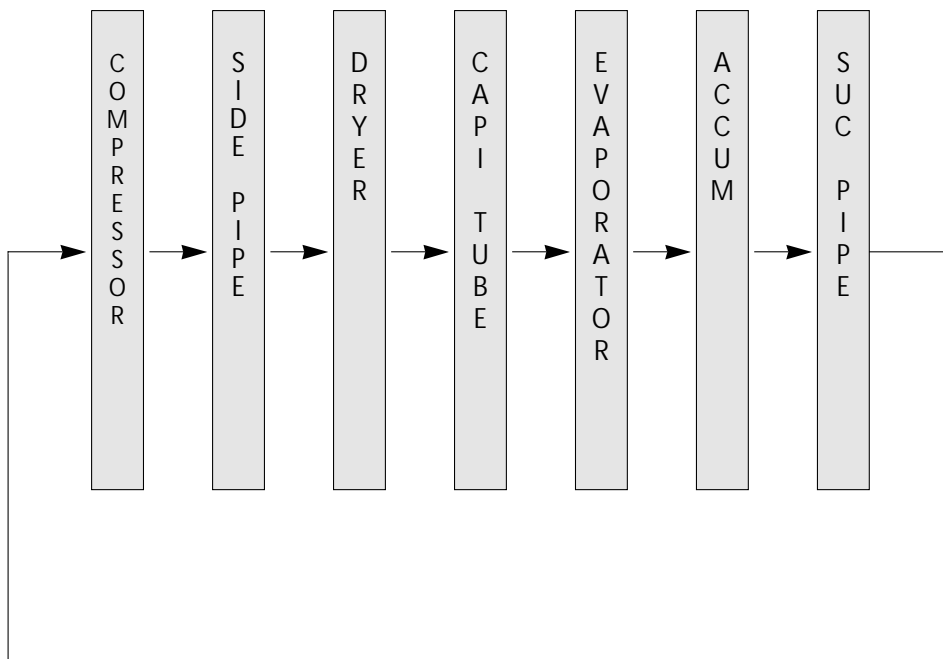
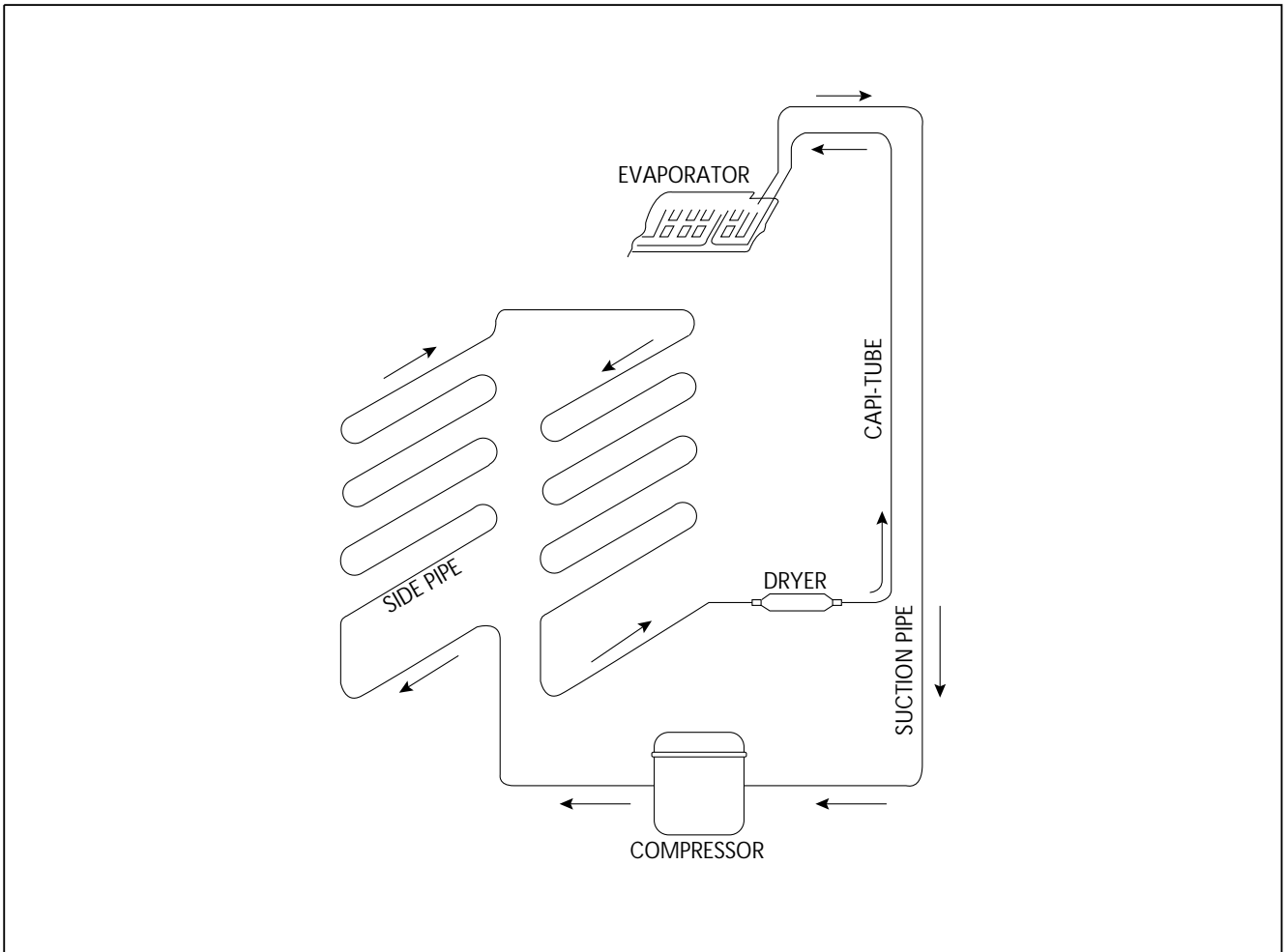
3. WIRE DIAGRAM



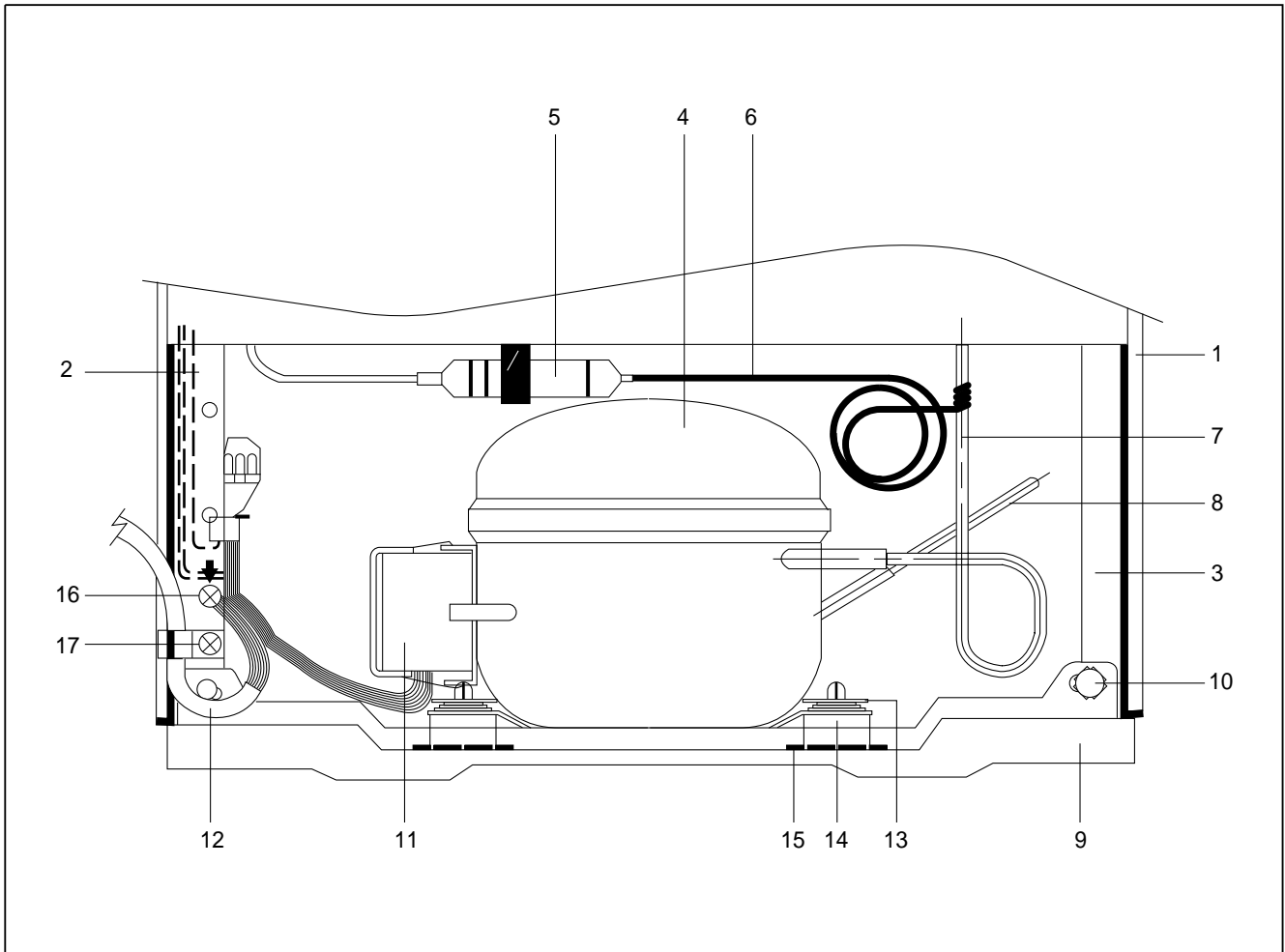
4. NAME OF PARTS



5. REFRIGERANT CYCLE DIAGRAM



6. MACHINE ROOM VIEW AND PART LIST



NO	PART NAME	NO	PART NAME	NO	PART NAME
1	CABINET	7	SUCTION PIPE	13	WASHER *T
2	REINFORCE *L	8	PIPE CON	14	ABSORBER
3	REINFORCE *R	9	BASE COMP	15	WASHER *U
4	COMPRESSOR	10	BOLT HEX	16	MACHINE SCREW
5	DRYER	11	P RELAY AS	17	TAPPING SCREW
6	CAPI TUBE	12	POWER CORD		

7. MAIN COMPONENTS

1. COMPRESSOR

Refrigerant	R12							
Voltage	100V/50,60Hz	110V/60Hz	115, 120V/60Hz	127V/60Hz	220V/50Hz	220V/60Hz	230V/50Hz	240V/50Hz
Comp. model	FL7Y-1	FL5Y-1U	←	←	SL7Y-5	←	←	←
Part code	3951105400	39511054U0	←	←	3954105470	←	←	←
Strating type	RSIR	←	←	←	RSIR	←	←	←

Refrigerant	R134a							
Voltage	100V/50,60Hz	110V/60Hz	115, 120V/60Hz	127V/60Hz	220V/50Hz	220V/60Hz	230V/50Hz	240V/50Hz
Comp. model	HFL7Y	HFL5Y-1H	←	X	HSL7Y-5	X	HSL7Y-5	←
Part code	3951107F00	3951105F10	←	X	3954107F50	X	3954107F50	←
Strating type	RSIR	←	←	X	RSIR	X	RSIR	←

2. RELAY ASSEMBLY

Refrigerant	R12							
Voltage	100V/50,60Hz	110V/60Hz	115, 120V/60Hz	127V/60Hz	220V/50Hz	220V/60Hz	230V/50Hz	240V/50Hz
Relay model	213THB, S068	197SHB, S068	←	←	129SHB, S220	104NHB, S220	129SHB, S220	←
Part code	3018101910	3018102010	3018102110	3018101410	3018100110	3018106810	3018101710	←

Refrigerant	R134a							
Voltage	100V/50,60Hz	110V/60Hz	115, 120V/60Hz	127V/60Hz	220V/50Hz	220V/60Hz	230V/50Hz	240V/50Hz
Relay model	265THB, S068	174SHB, S068	174SHB, S068	X	129SHB, S220	X	129SHB, S220	←
Part code	3018101920	3018108020	3018102120	X	3018101940	X	3018101940	←

3. CONTROL SWITCH

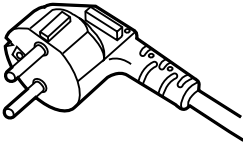
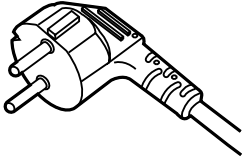
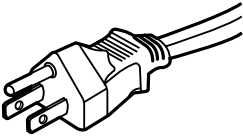
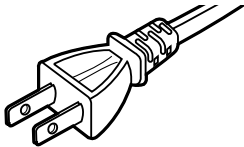
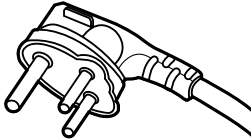
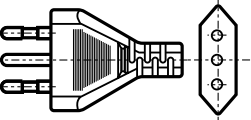
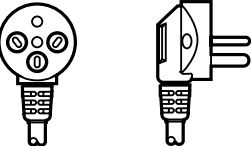
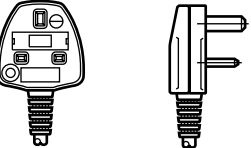

Refrigerant	R12							
Voltage	100V/50,60Hz	110V/60Hz	115, 120V/60Hz	127V/60Hz	220V/50Hz	220V/60Hz	230V/50Hz	240V/50Hz
Spec.	PFN-110U-02A	←	←	←	PFN-110U-02A	←	←	←
Part code	4004V70142	←	←	←	4004V70142	←	←	←

Refrigerant	R134a							
Voltage	100V/50,60Hz	110V/60Hz	115, 120V/60Hz	127V/60Hz	220V/50Hz	220V/60Hz	230V/50Hz	240V/50Hz
Spec.	PFN-110U-02A	PFN-110U-02D	←	PFN-110U-02D	PFN-110U-02A	←	PFN-110U-02A	←
Part code	4004V70142	3018301000	←	4004V70142	4004V70142	←	4004V70142	←

4. DRYER

Refrigerant	R12	R134a
Spec.	5 g	10 g
Part code	4019L04000	3016801300

POWER CORD SPECIFICATION

NO	SHAPE OF POWER CODE	PART CODE	DESCRIPTION	REMARK
1		3011315000	CP-2PIN	FOR EUROPEAN COUNTRY
2		401RA17200	CP-2PIN	FOR OTHER COUNTRY
3		4006D17101	KP-30	FOR AMERICA
4		401PD17101	KP-211	FOR JAPAN & TAIWAN
5		3011300801	BP-3PIN	
6		3011303010	#267	FOR CHILE
7		3011315310		FOR ISRAEL
8		3011303050	BS-1363A	FOR U.K, MIDDLE ASIA SINGAPORE & MALAYSIA
9		3011301200	KP-551/550	FOR CHINA & AUSTRALIA

* Upper power cord'S part code is only for lead wire, without any kinds of terminal or housing.

8. DOOR COLOR SPECIFICATION

1. ASSEMBLY URETHAN DOOR

1) Key type

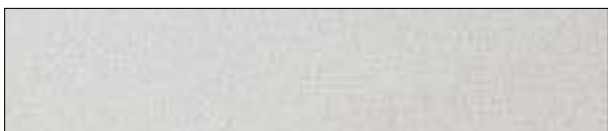
Refrigerant	R12				R134a			
Color type	Dull lamina sheet	High glossy lamina sheet	Normal PCM	High glossy bright PCM	Dull lamina sheet	High glossy lamina sheet	Normal PCM	High glossy bright PCM
Part code	X	PFDU2UA060	PFUD2UA140	X	X	X	PFUD2UA145	X

2) Non key type

Refrigerant	R12				R134a			
Color type	Dull lamina sheet	High glossy lamina sheet	Normal PCM	High glossy bright PCM	Dull lamina sheet	High glossy lamina sheet	Normal PCM	High glossy bright PCM
Part code	X	PFDU2UA100	PFUD2UA170	X	X	X	PFUD2UA175	X

COLOR TABLE

1. PCM type

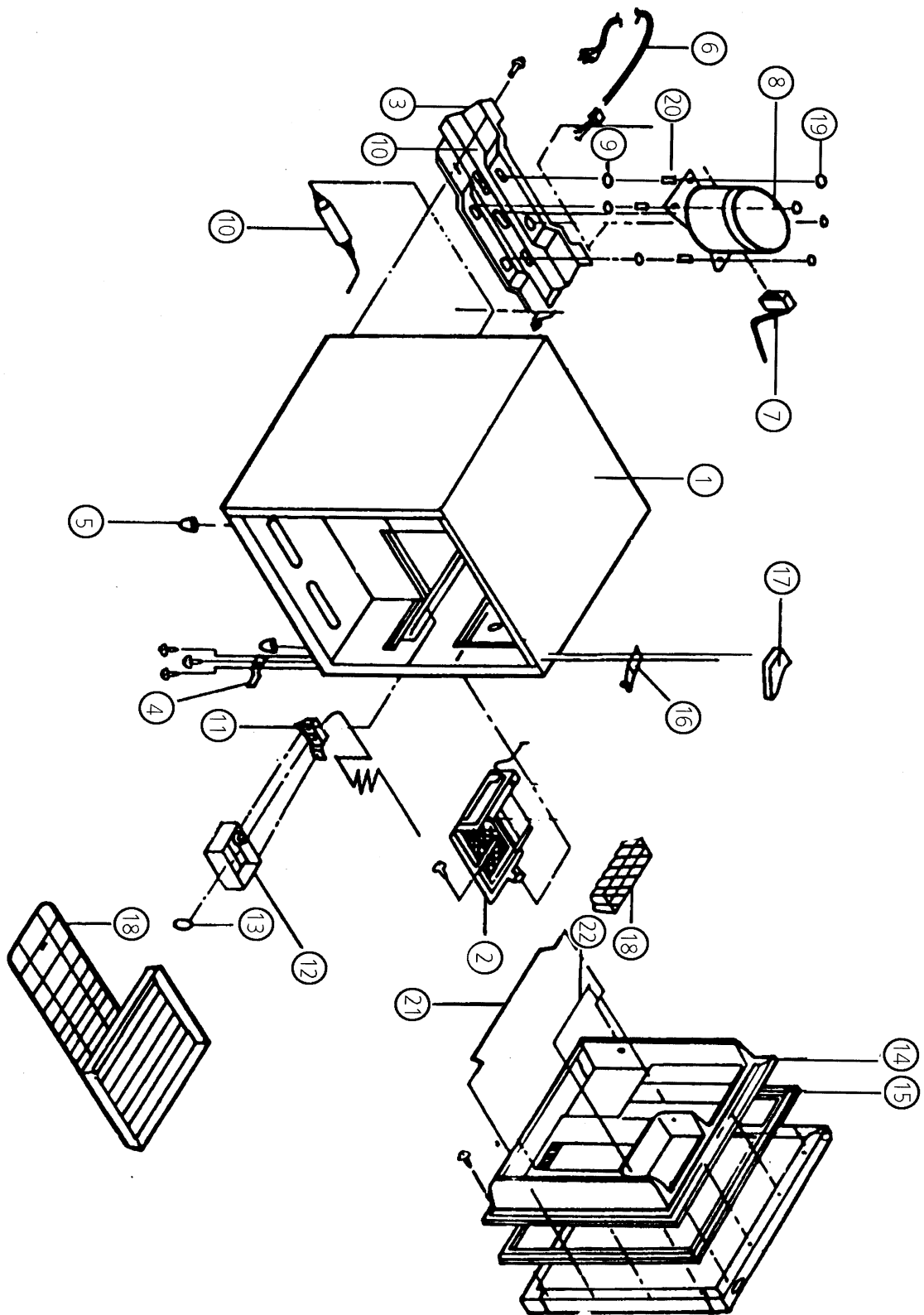
NO	COLOR CHIP	COLOR NAME
1		P/WITH (WH069)
2		'94 L/GRAY (GY158)
3		'95 L/GRAY (GY259)
4		'94 M/GRAY (GY331)
5		'95 M/GRAY (GY335)
6		'97 M/GRAY (GY267)
7		M. D/GRAY (GY750)
8		N/BLUE (BL718)
9		MINT GREEN (GN206)
10		'97 BEIGE (BE215)

2. Lamina sheet type

NO	COLOR CHIP	COLOR NAME
1		P/WITH (WH069)
2		'94 L/GRAY (GY158)
3		'95 L/GRAY (GY259)
4		'94 M/GRAY (GY331)
5		'95 M/GRAY (GY335)
6		'97 M/GRAY (GY267)
7		M. D/GRAY (GY750)
8		N/BLUE (BL718)
9		MINT GREEN (GN206)
10		S/GOLD
11		G/GREEN

9. EXPLODED VIEW AND PARTS LIST

1. Exploded view



2. Parts list

NO	PART CODE	PART NAME	DESCRIPTION	QUANTITY	REMARK
1		ASSY URT CAB		1	
2	4016U03106	EVAPORATOR AS		1	
3	3010311510	BASE COMP AS	SPG T0.8	1	
4	3012903640	HINGE *U	T2.4	1	
5	4017L32521	FOOT ADJ(L)	PP (JI-360)	2	
6		CORD POWER AS		1	REFER TO # 8
7		SWITCH P RELAY AS		1	REFER TO # 7
8		COMPRESSOR		1	REFER TO # 7
9	4001E09021	WASHER SPECL	SPG T0.6 (*U)	4	
10		DRYER		1	REFER TO # 7
11		CS (THERMOSTAT)		1	REFER TO # 7
12	3010502902	BOX CONTL	ABS	1	
13	3013400300	KNOB AS	HIPS	1	
14	3017408600	LINER DR	ABS 1.5T X 480 X 995	1	
15	3012302592	GASKET AS	ROUND DOOR	1	
16	3012903670	HINGE *T AS	SPHC T2.3	1	
17	3011420050	COVER *T HI	PP	1	
18	3011130910	CASE ICING	C/W + ICE TRAY	1	
19	4001E09030	WASHER SPECL	SPG T1.0	4	
20	4001E09013	ABSORBER COMP	NR-A	4	
21	4018R45013	POCKET BAR *T DR	PVC-H	1	
22	3019004001	POCKET(S)	PVC-H	1	