

7 CIRCUIT DIAGRAMS

7.1 Handheld Unit

7.1.1 Logic

Overview

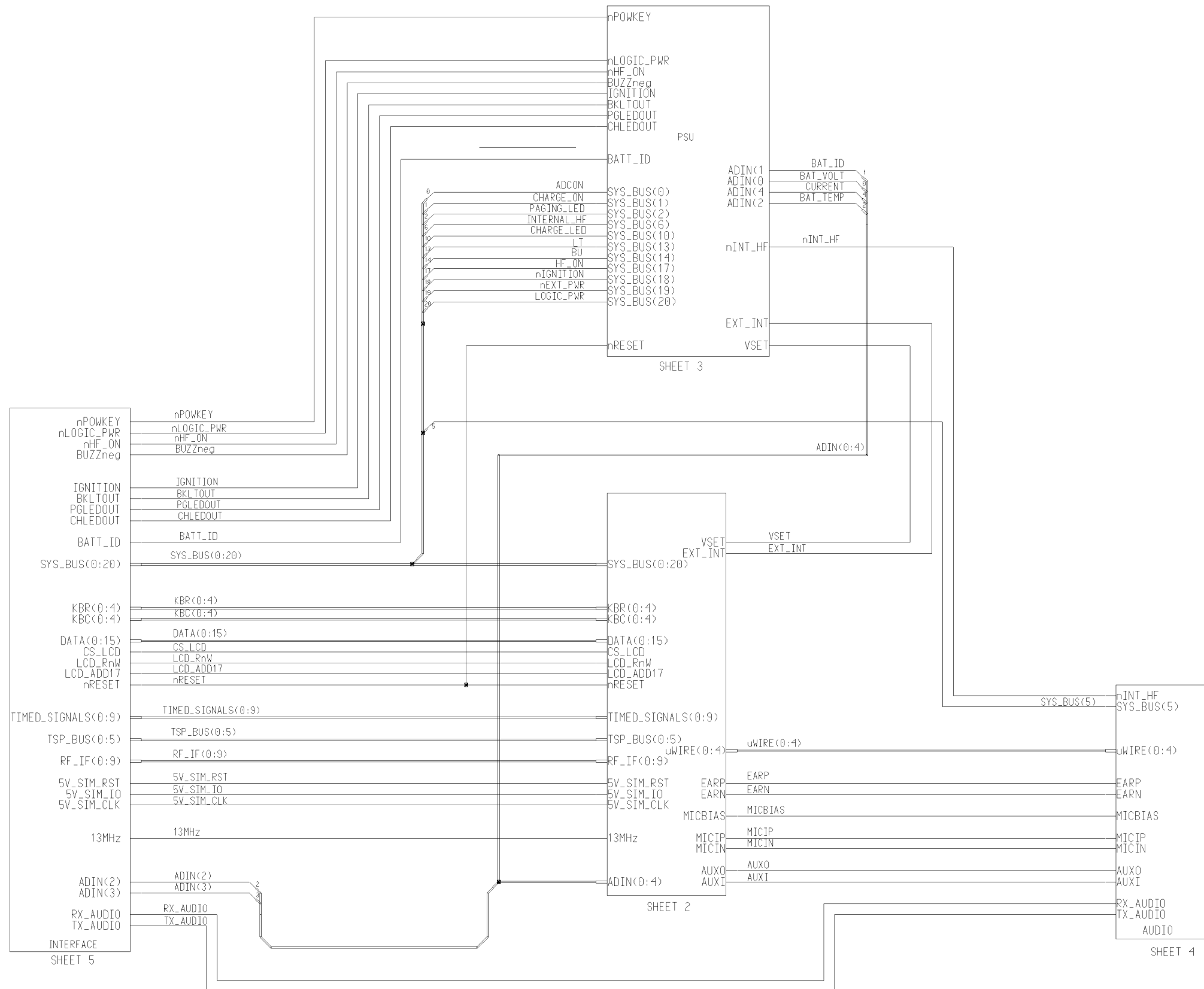


Figure:1 EG76056J-1.EPS

Processor

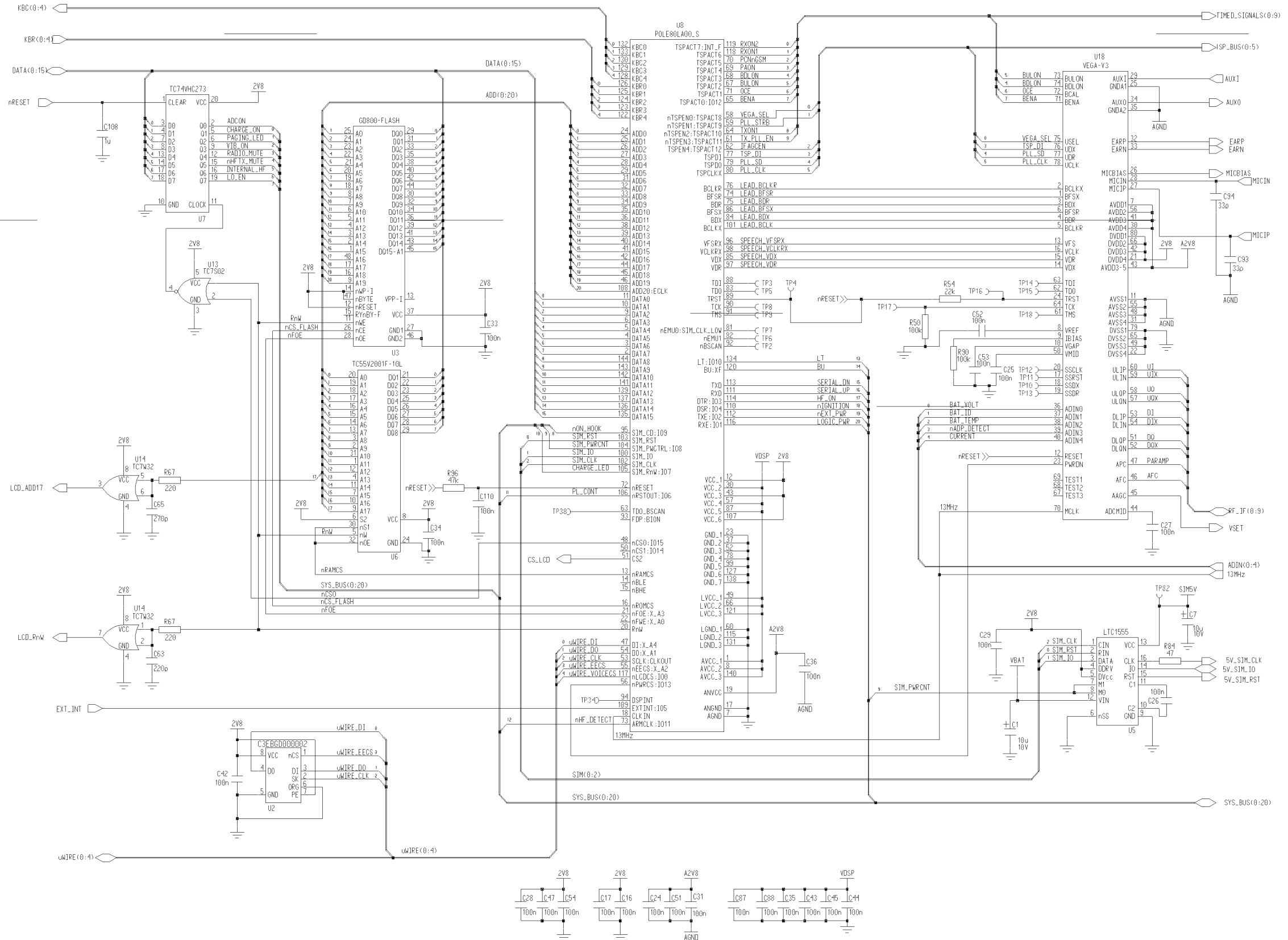
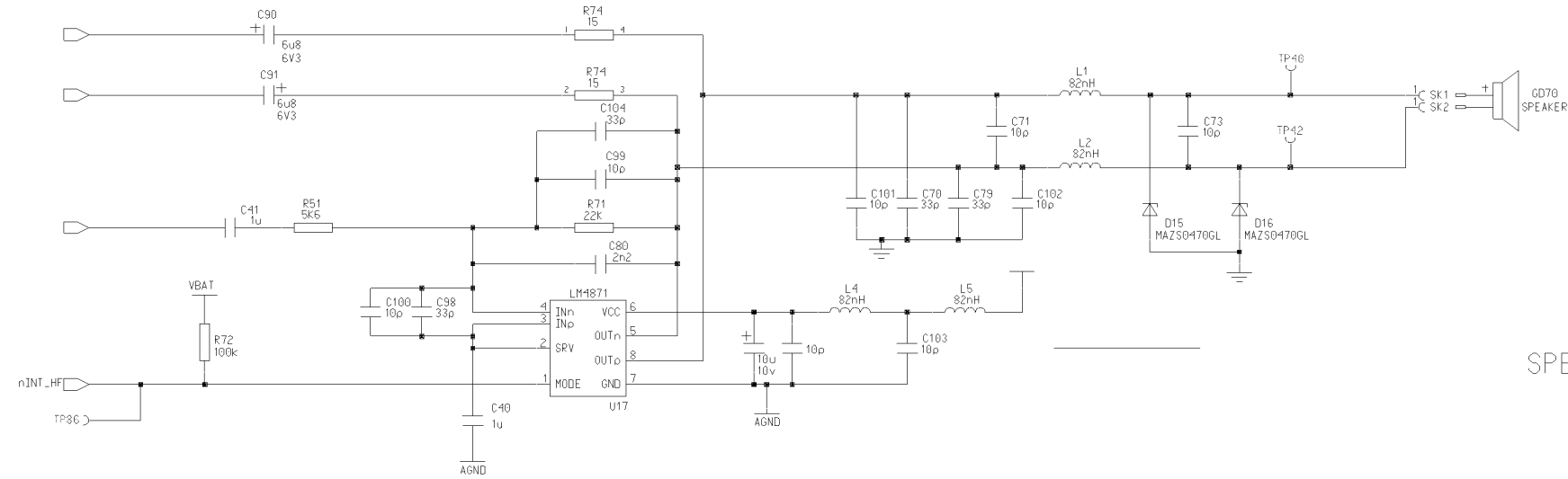
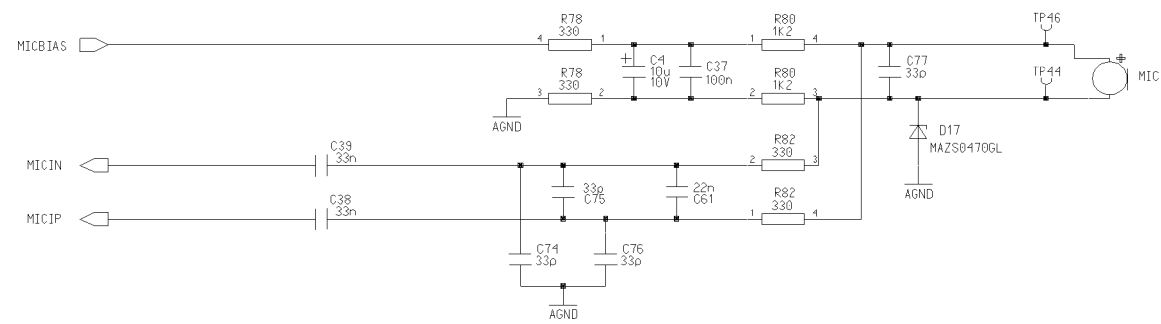


Figure:2 EG76056J-2.EPS

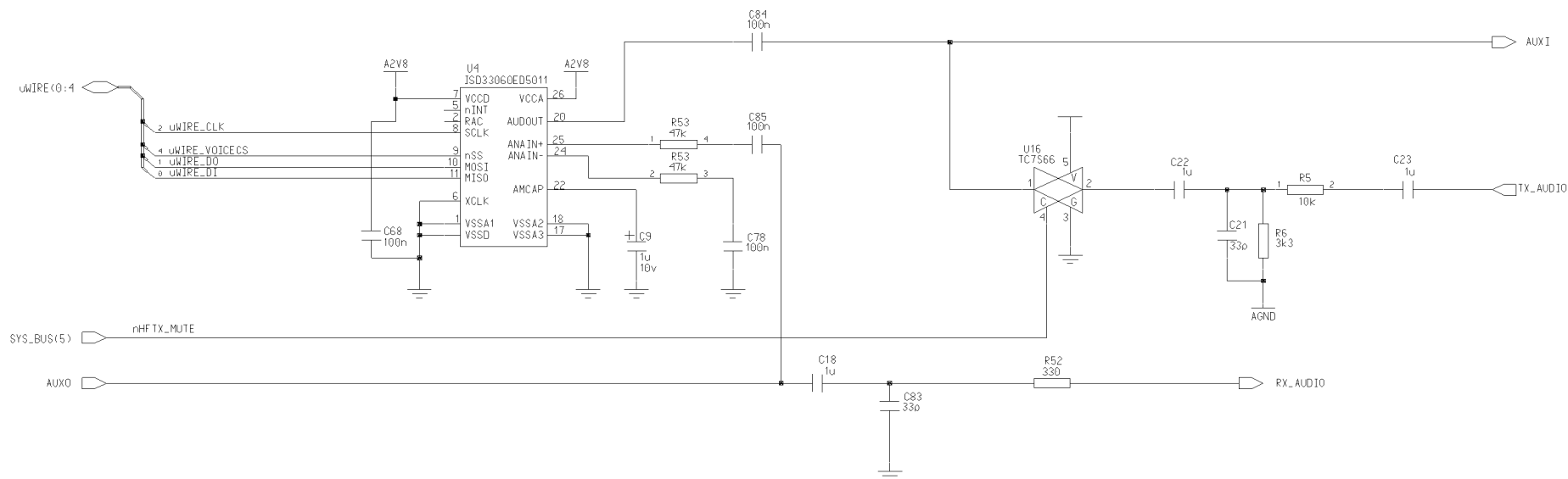
Powersupply



SPEAKER AND SPEAKER DRIVER



MICROPHONE



VOICE MEMO

Figure:3 EG76056J-3.EPS

Audio

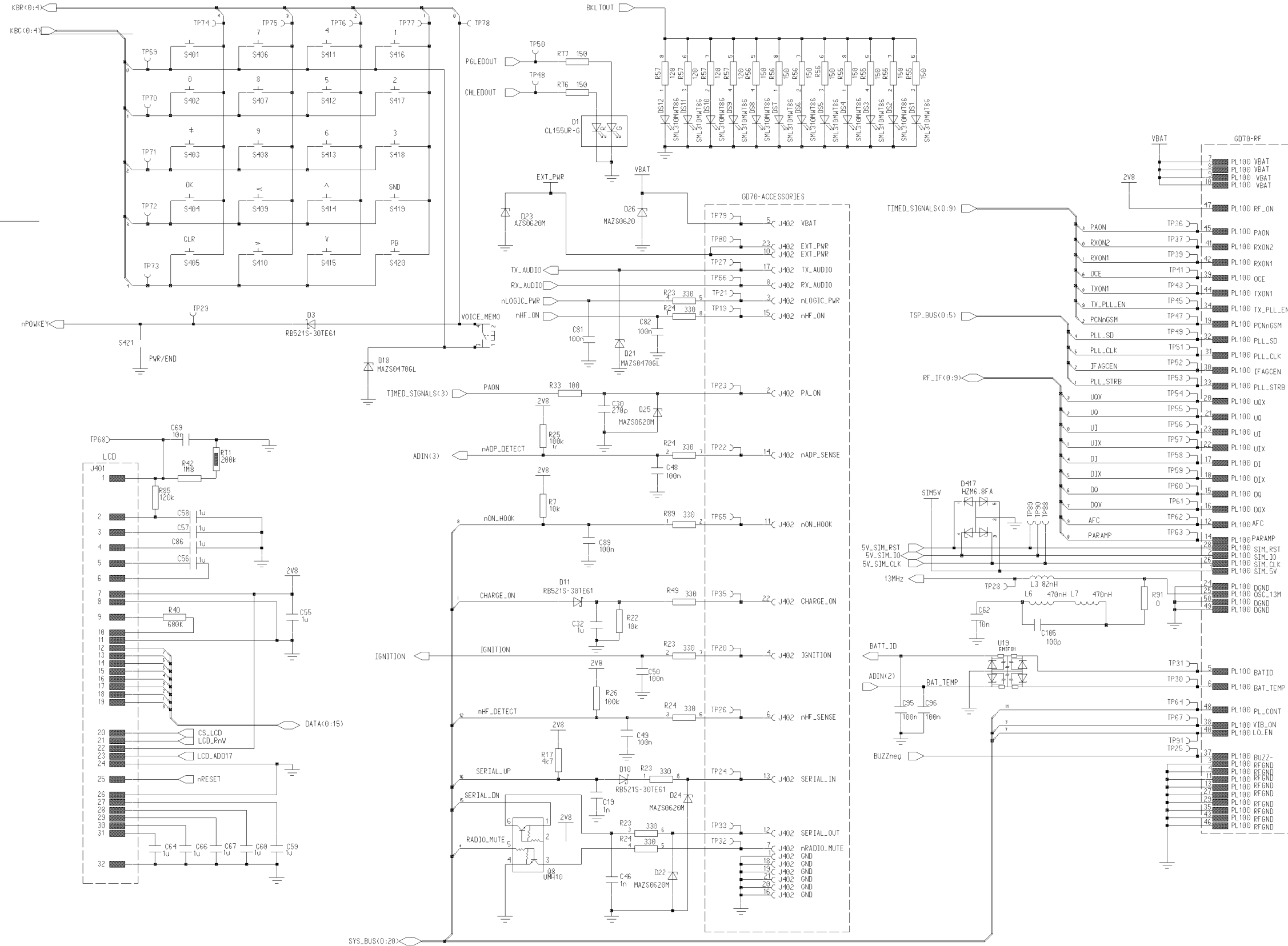


Figure:4 EG76056J-4.EPS

Interface

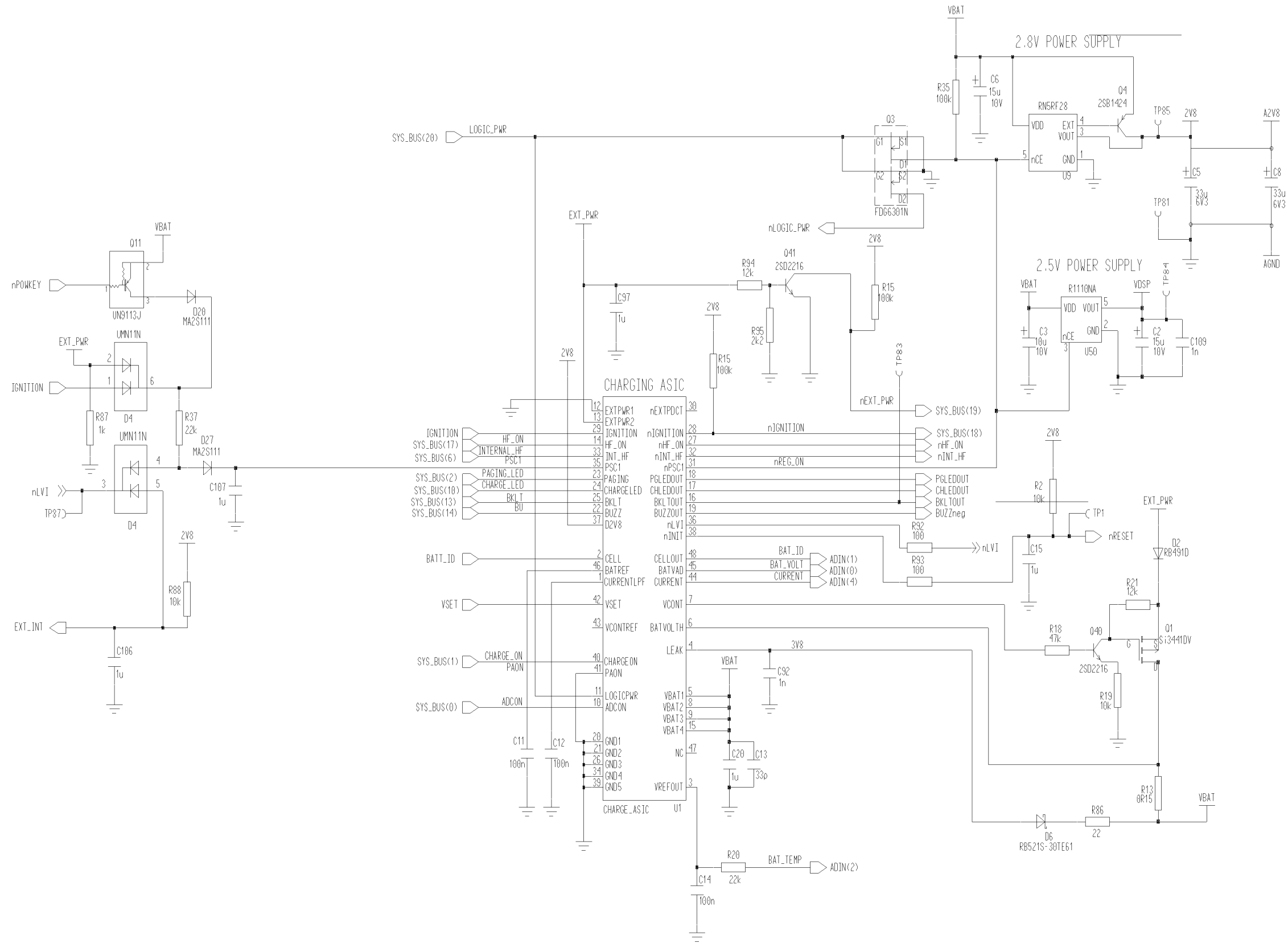


Figure:5 EG76056J-5.EPS

7.1.2 RF
Overview

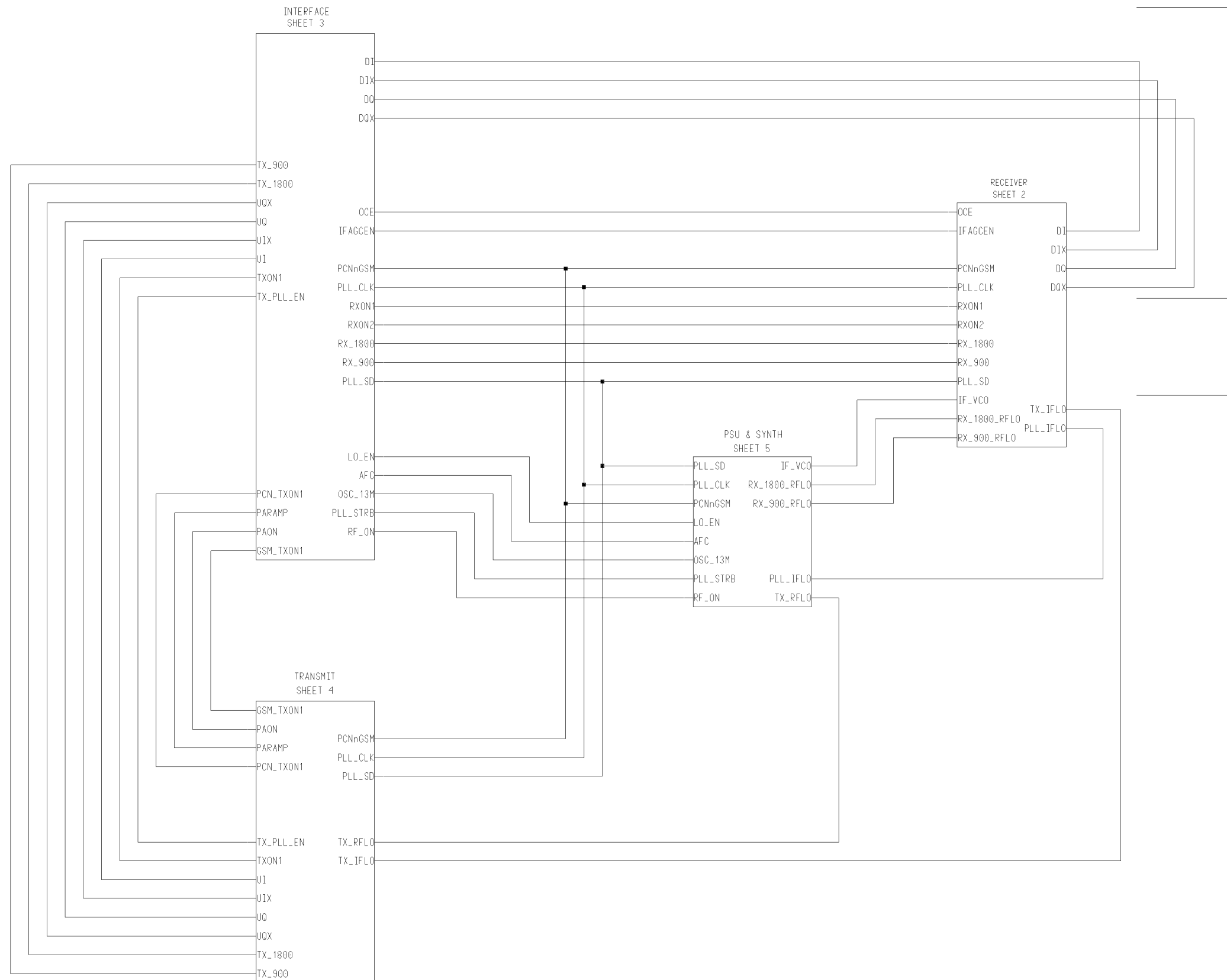


Figure:6 EG76055H-1.EPS

Receiver

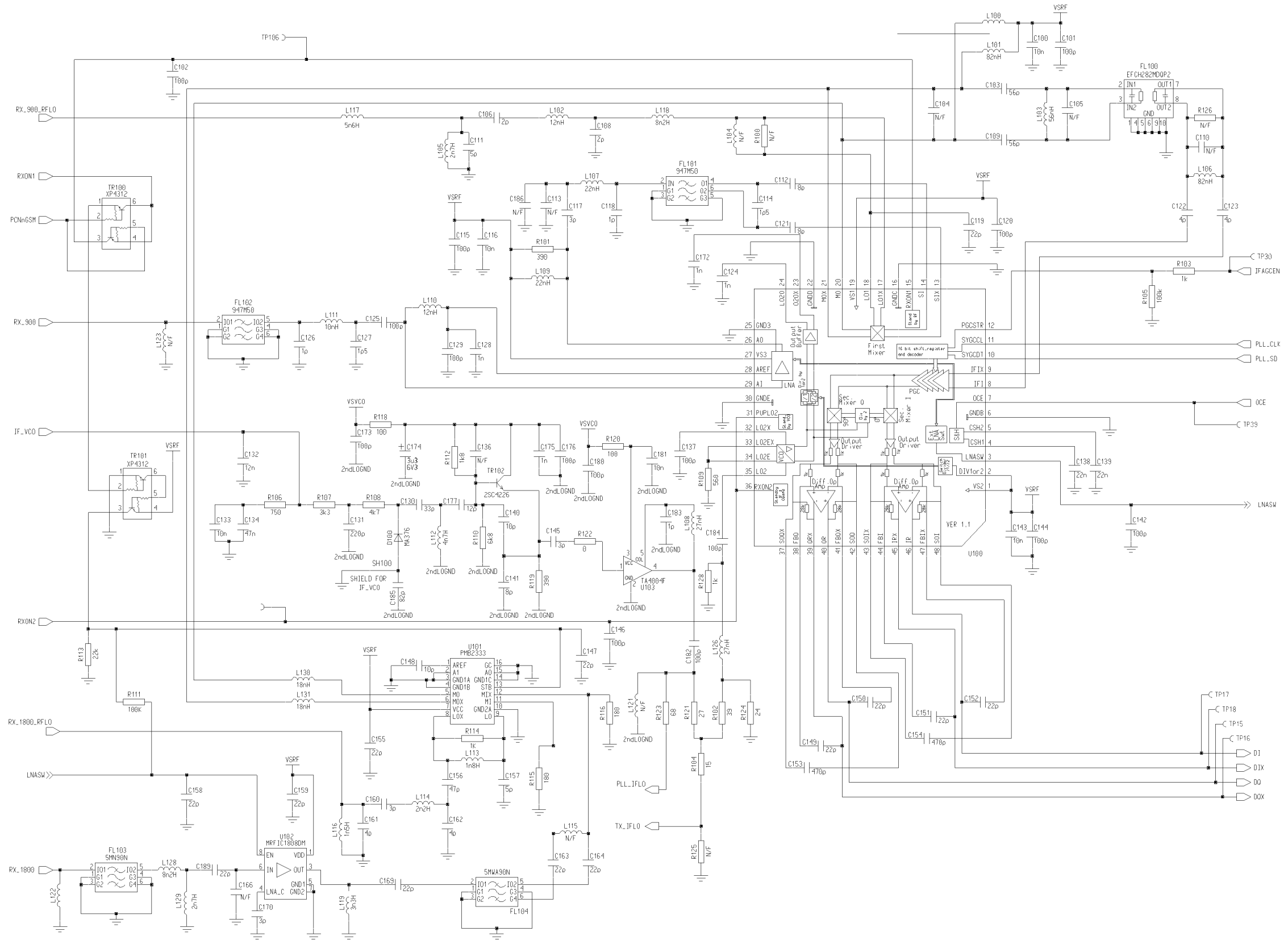


Figure:7 EG76055H-2.EPS

Interface

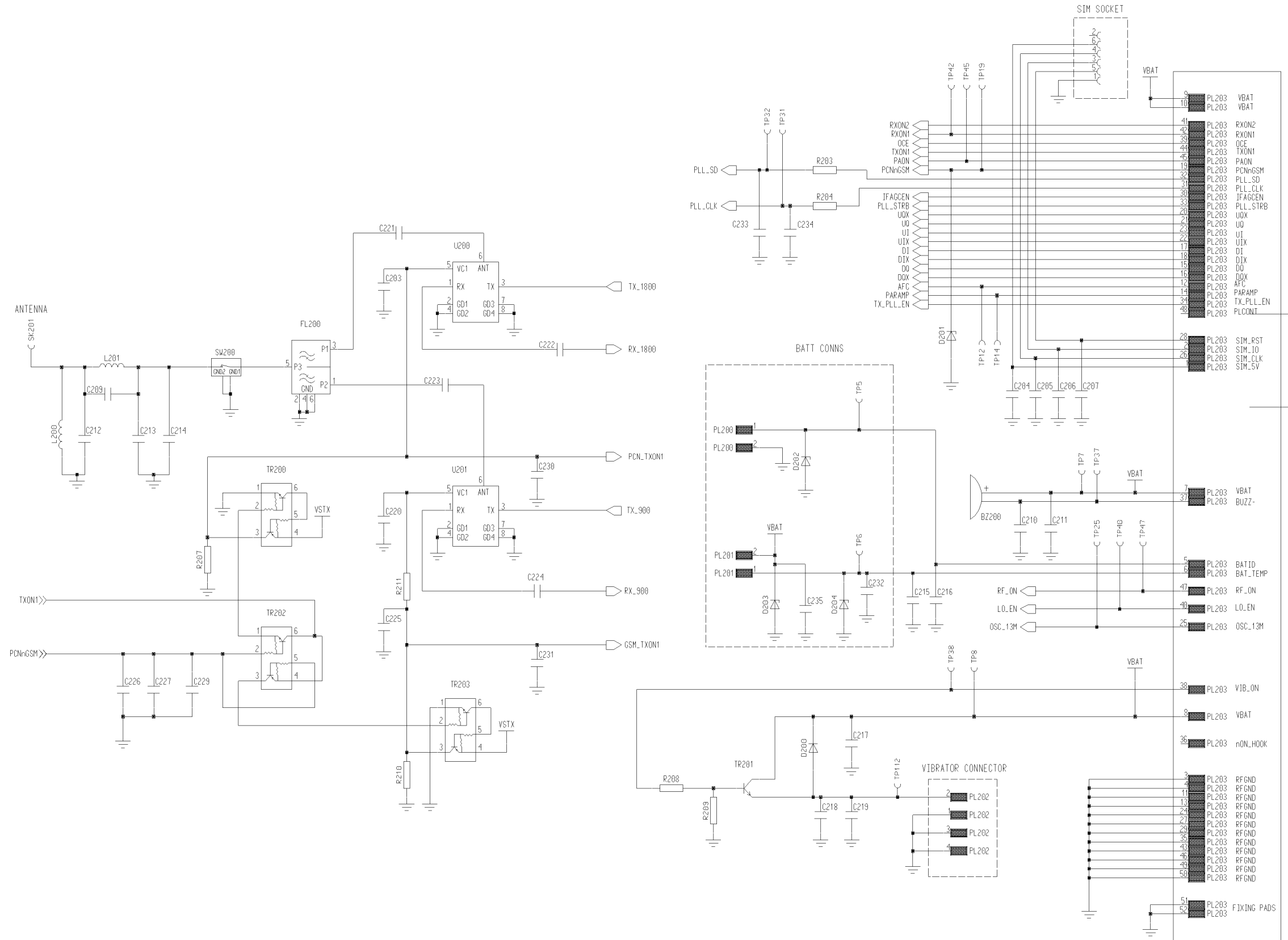


Figure:8 EG76055H-3.EPS

Transmitter

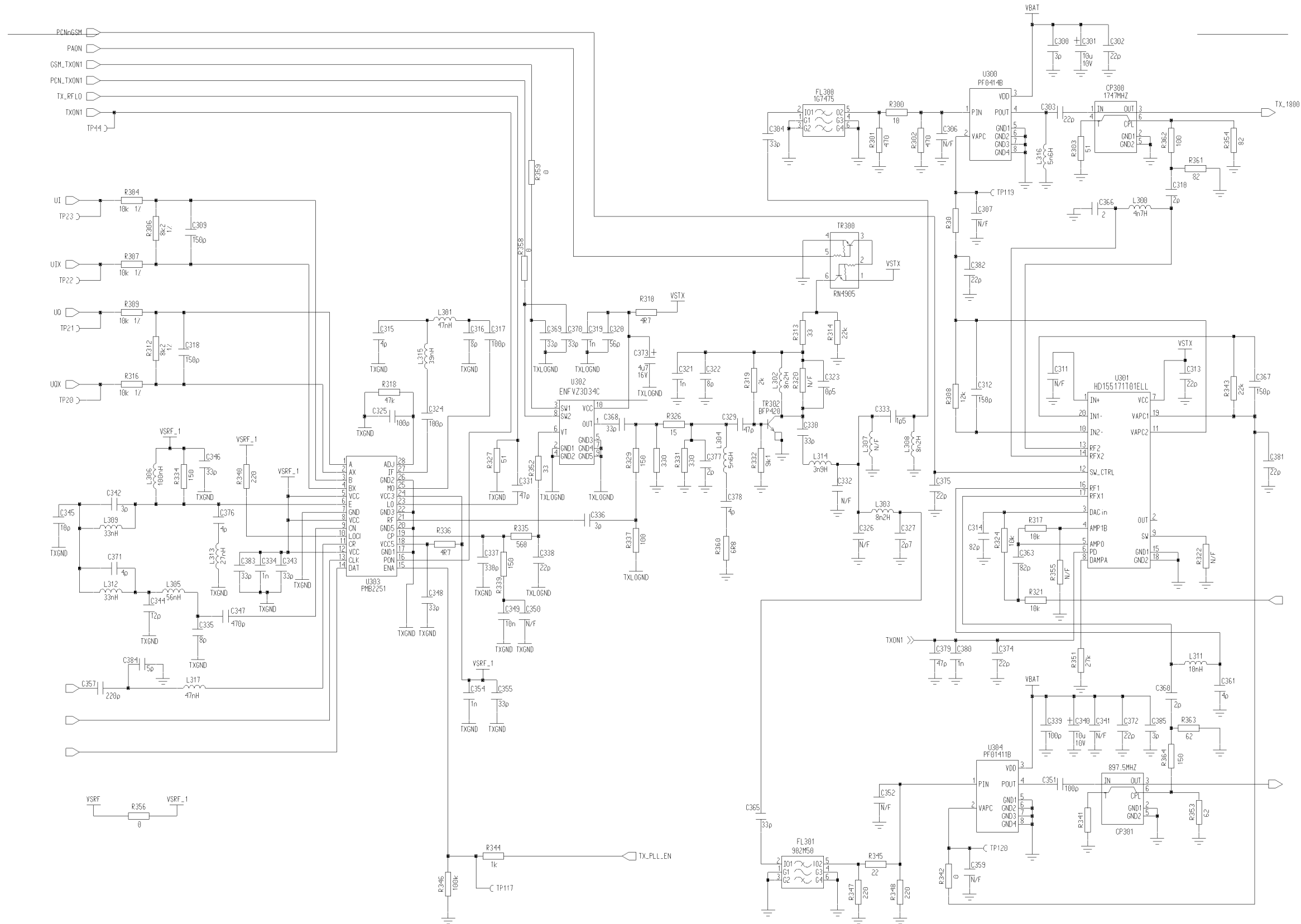


Figure:9 EG76055H-4.EPS

Powersupply and Synthesiser

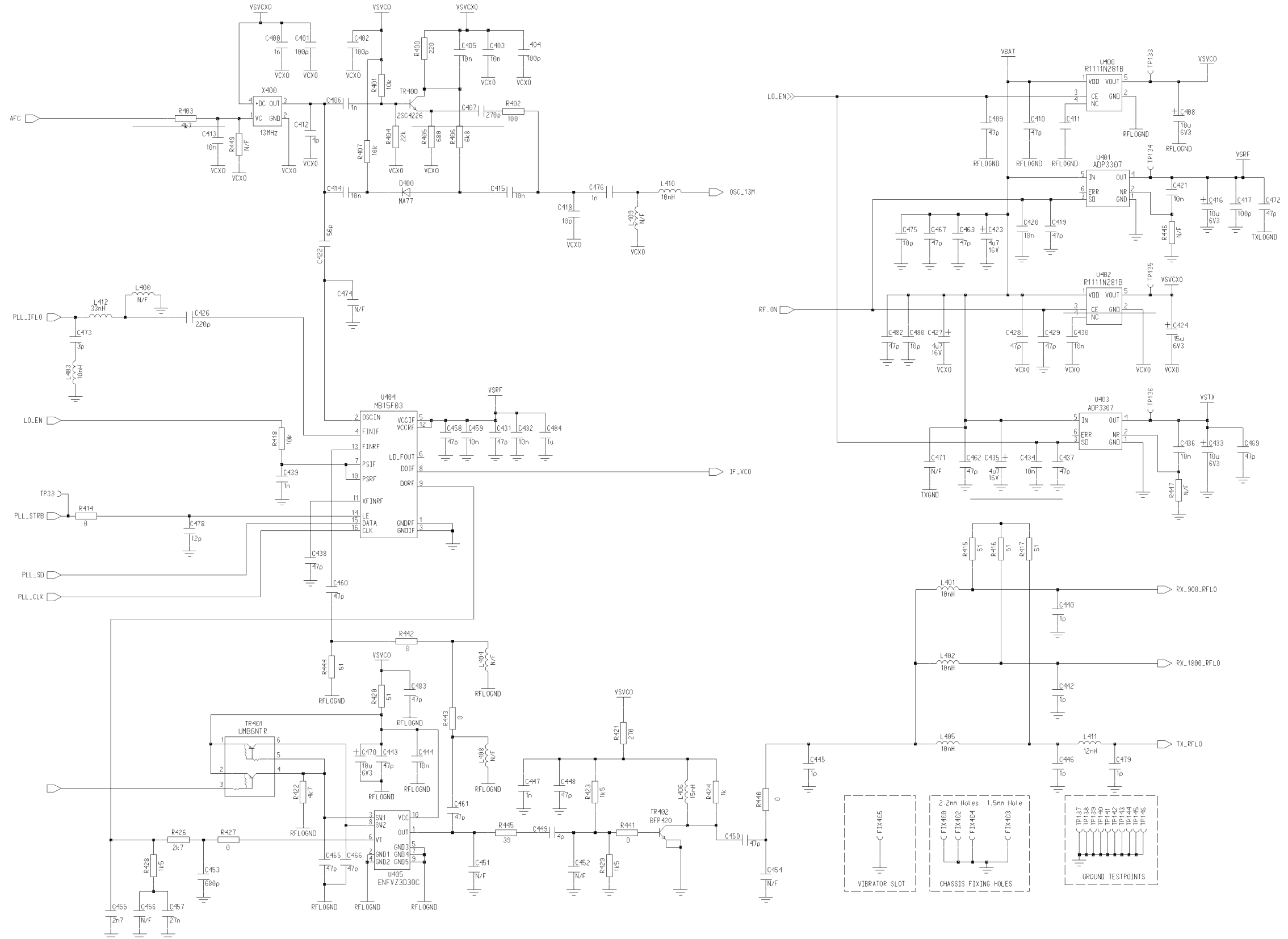


Figure:10 EG76055H-5.EPS

8 LAYOUT DIAGRAMS

8.1 Handheld Unit

8.1.1 Logic

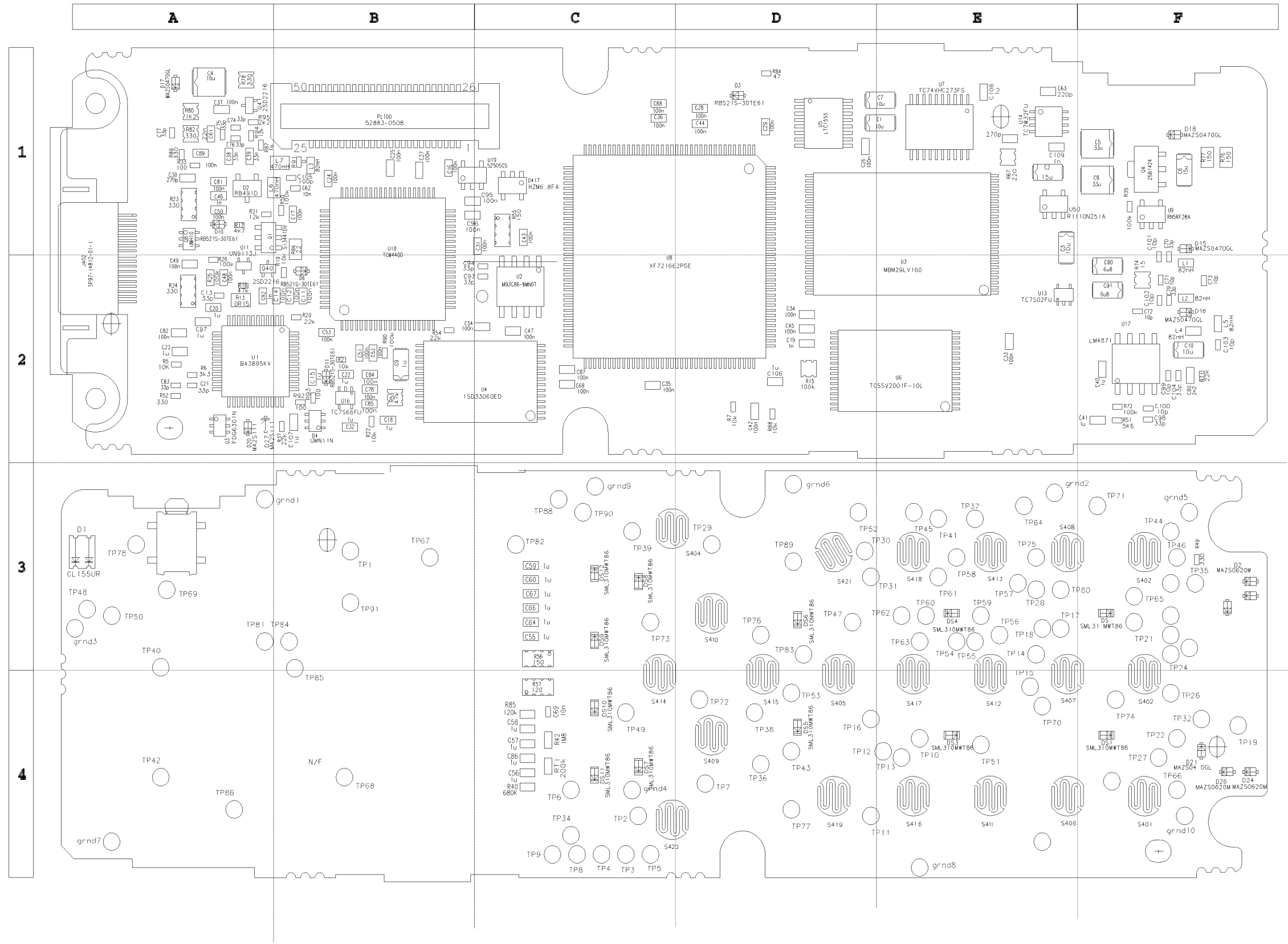


Figure:1 C2276078H.EPS