

SCHEMATIC DIAGRAM

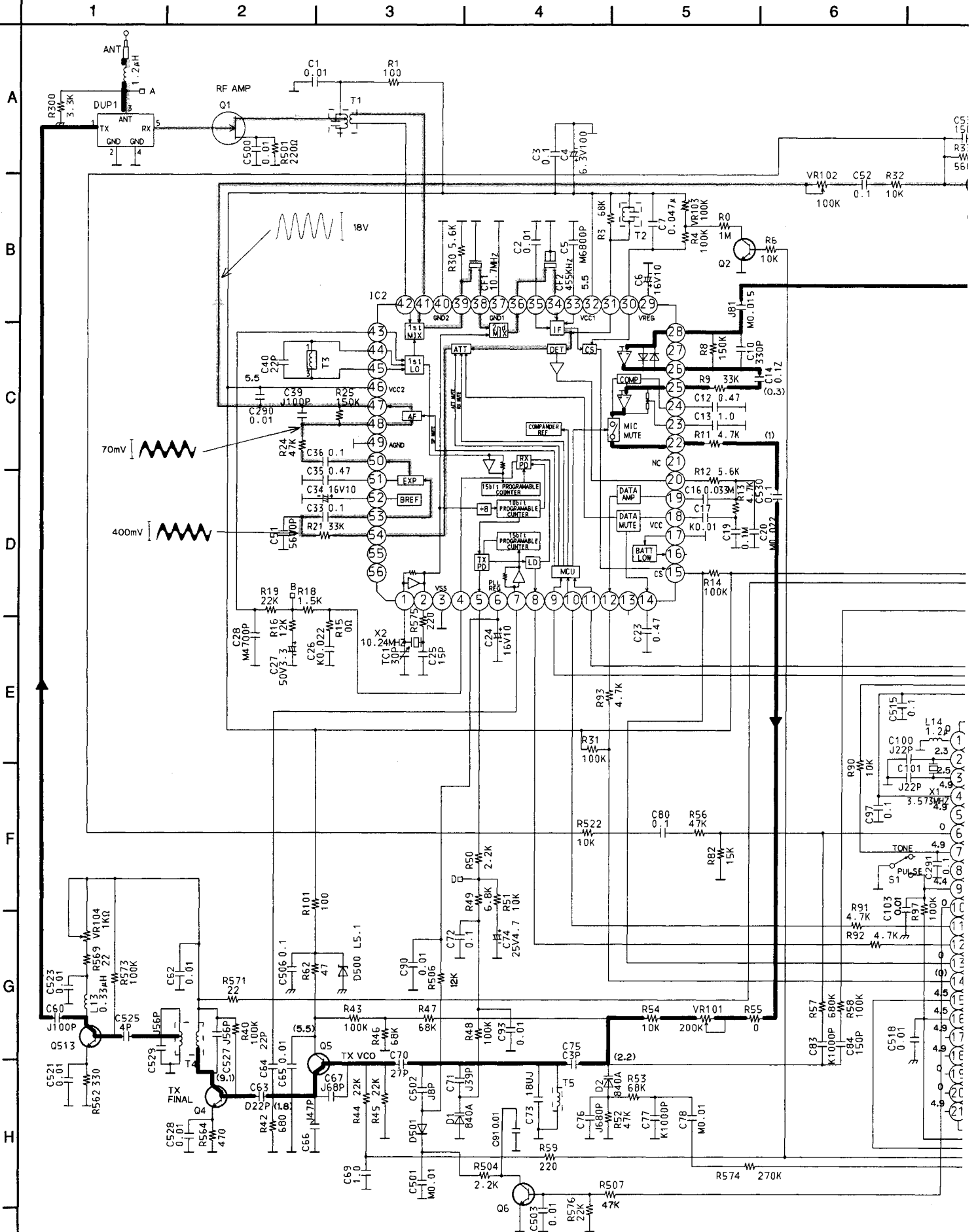


DIAGRAM (KX-TC100H-W)

7

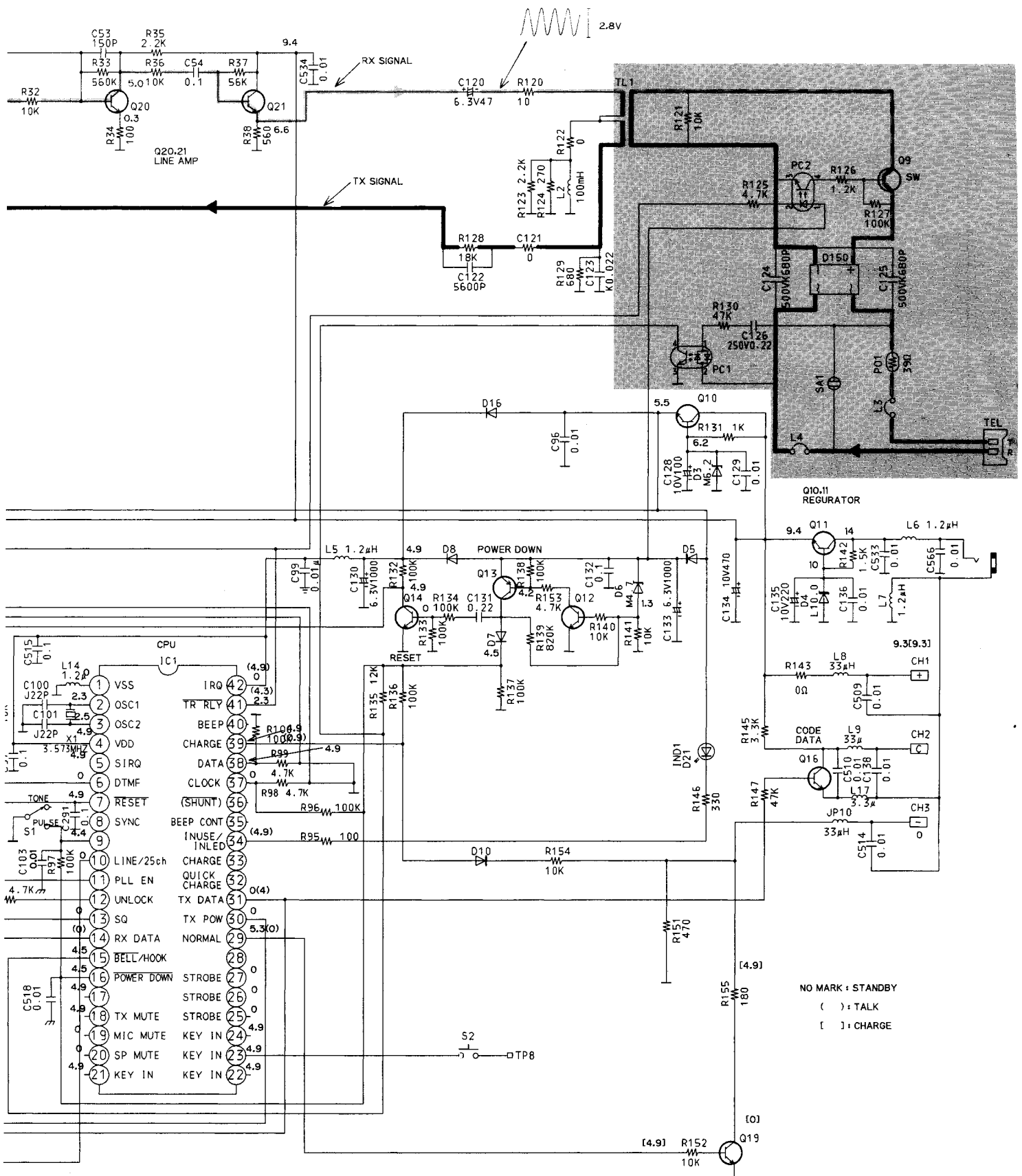
8

9

10

11

12



NO MARK : STANDBY
 () : TALK
 [] : CHARGE



SCHEMATIC DIAGRAM (KX)

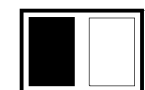
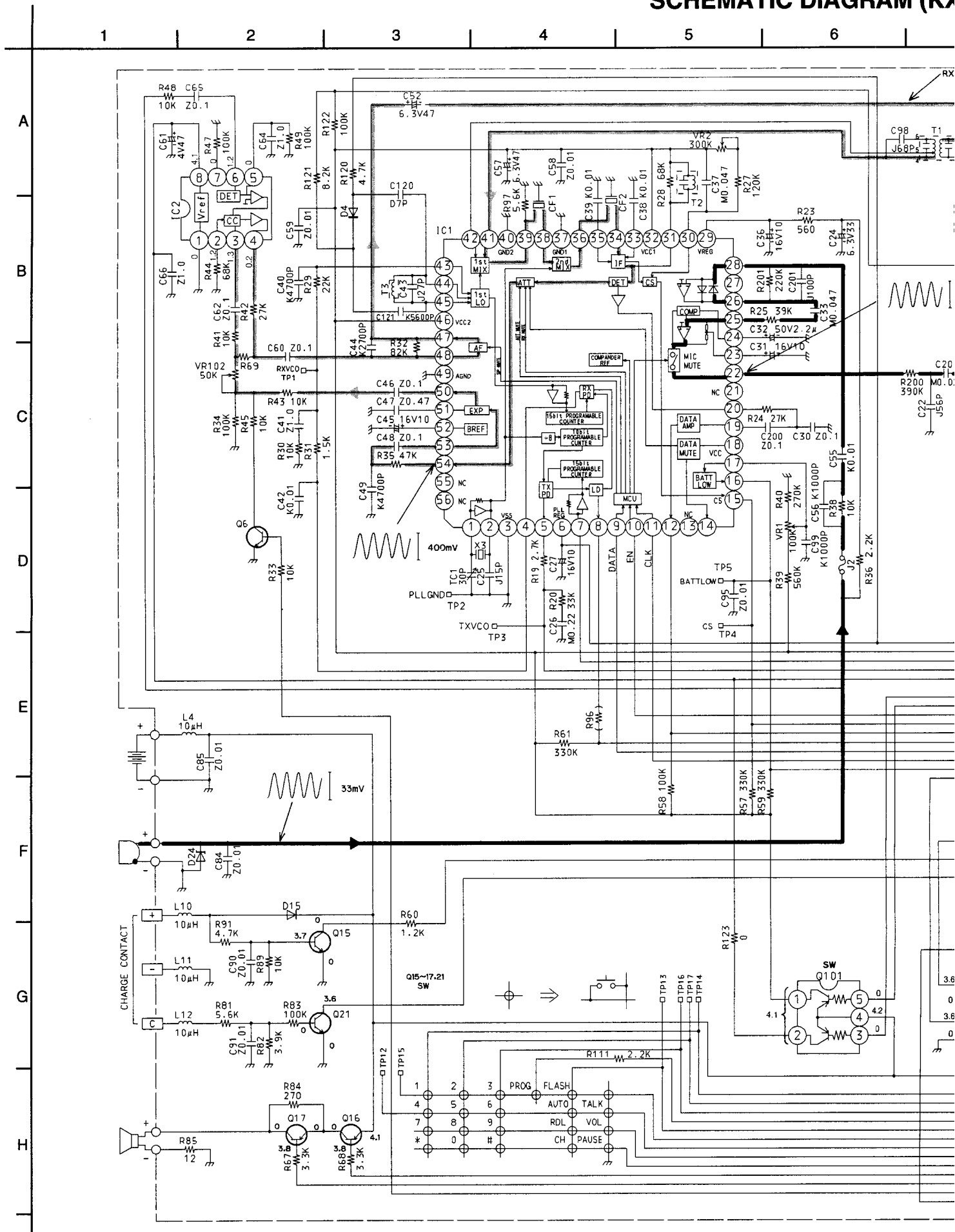


DIAGRAM (KX-TC100R-W)

6 7 8 9 10 11 12

