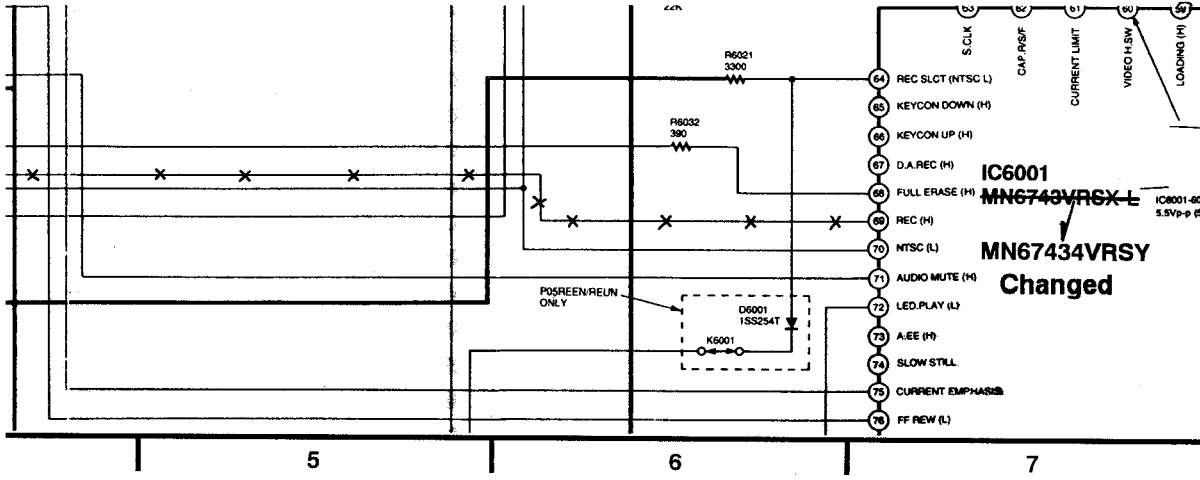




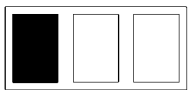
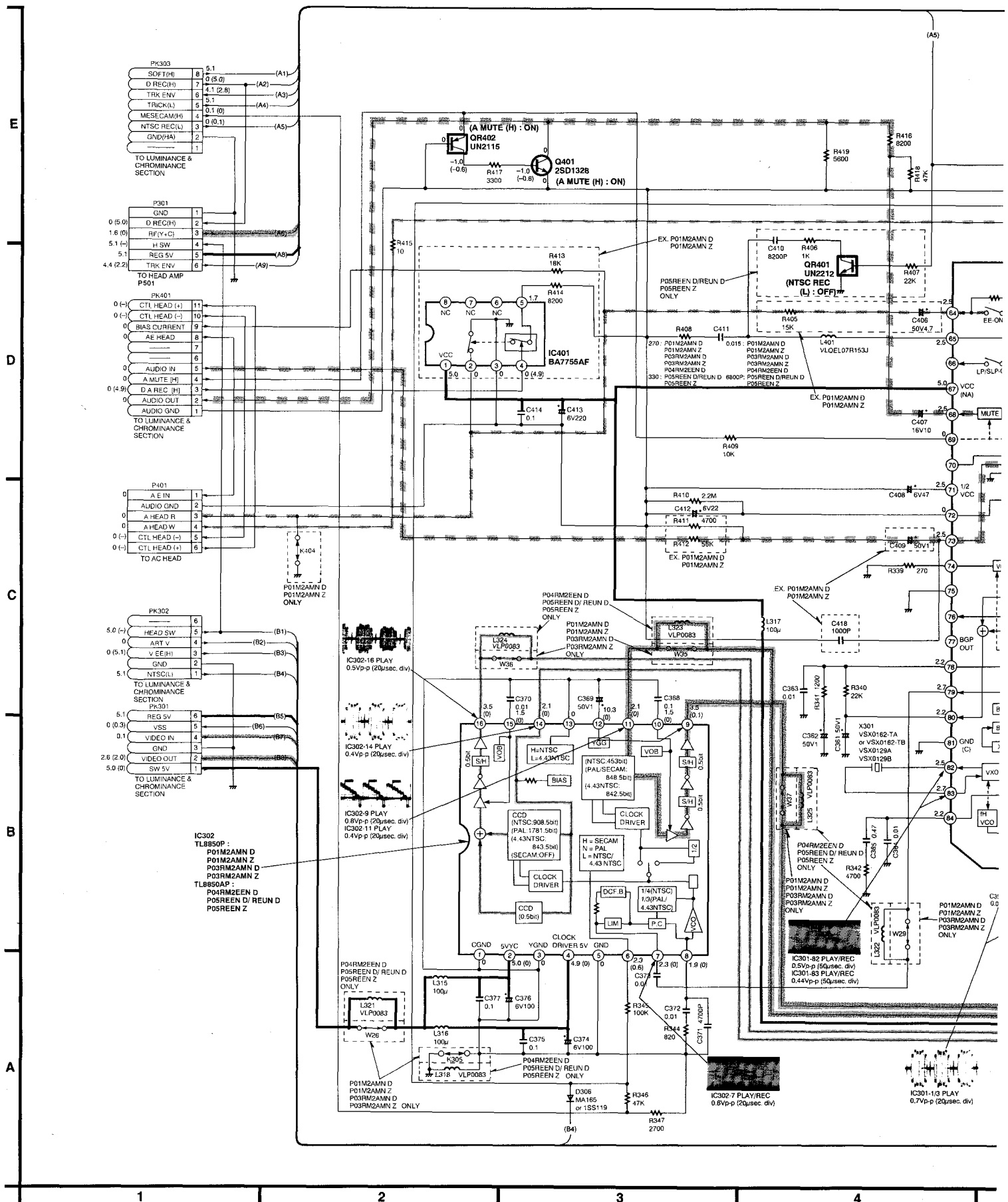


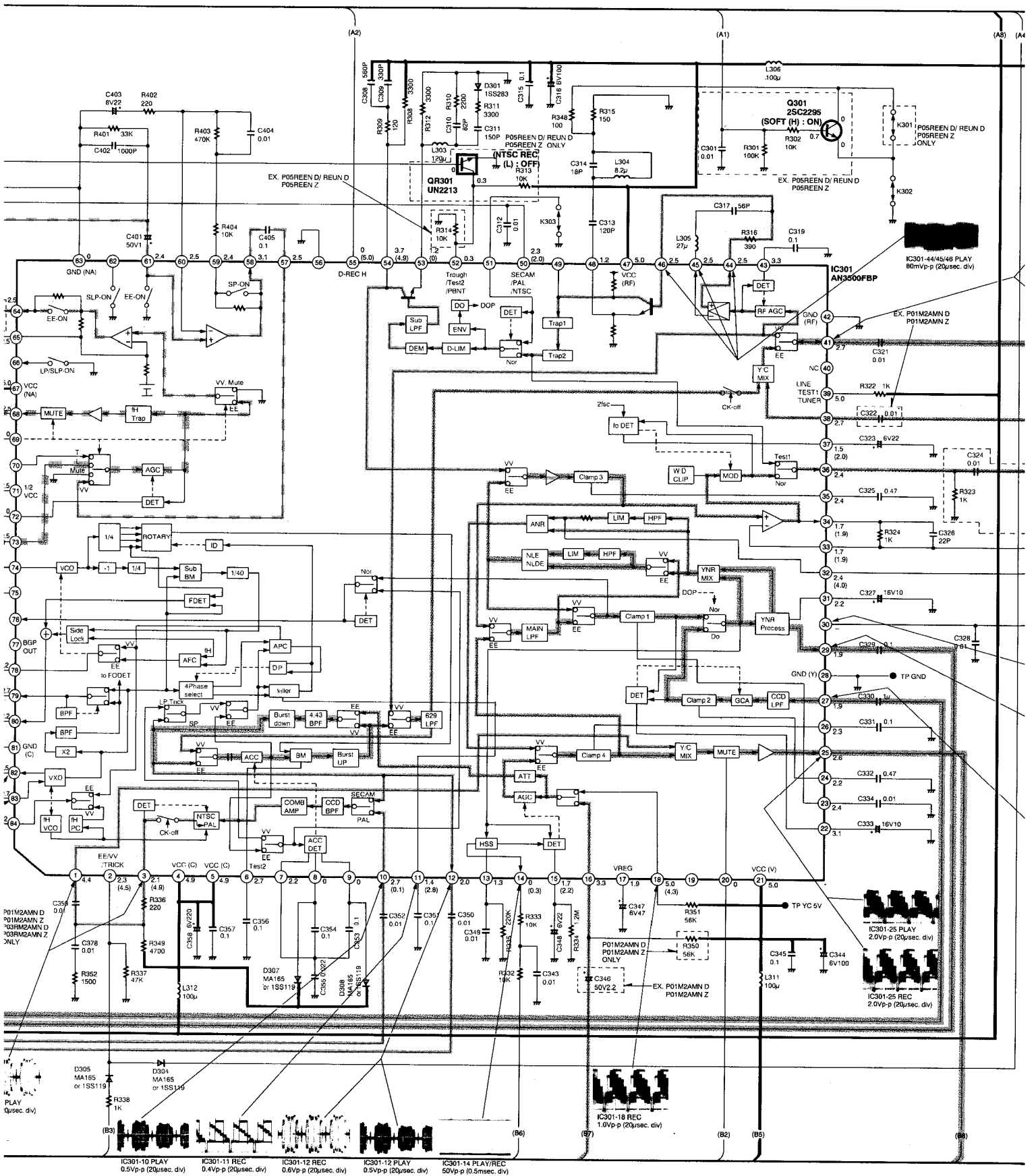
AM



# 3-7. AUDIO / VIDEO PACK SCHEMATIC DIAGRAM

VIDEO MAIN SIGNAL PATH





5

6

7

8

