

S/M No. : C550KVEF0

Service Manual

Vacuum Cleaner

Model: RC-550

DAEWOO



DAEWOO ELECTRONICS CO., LTD.

TABLE OF CONTENTS

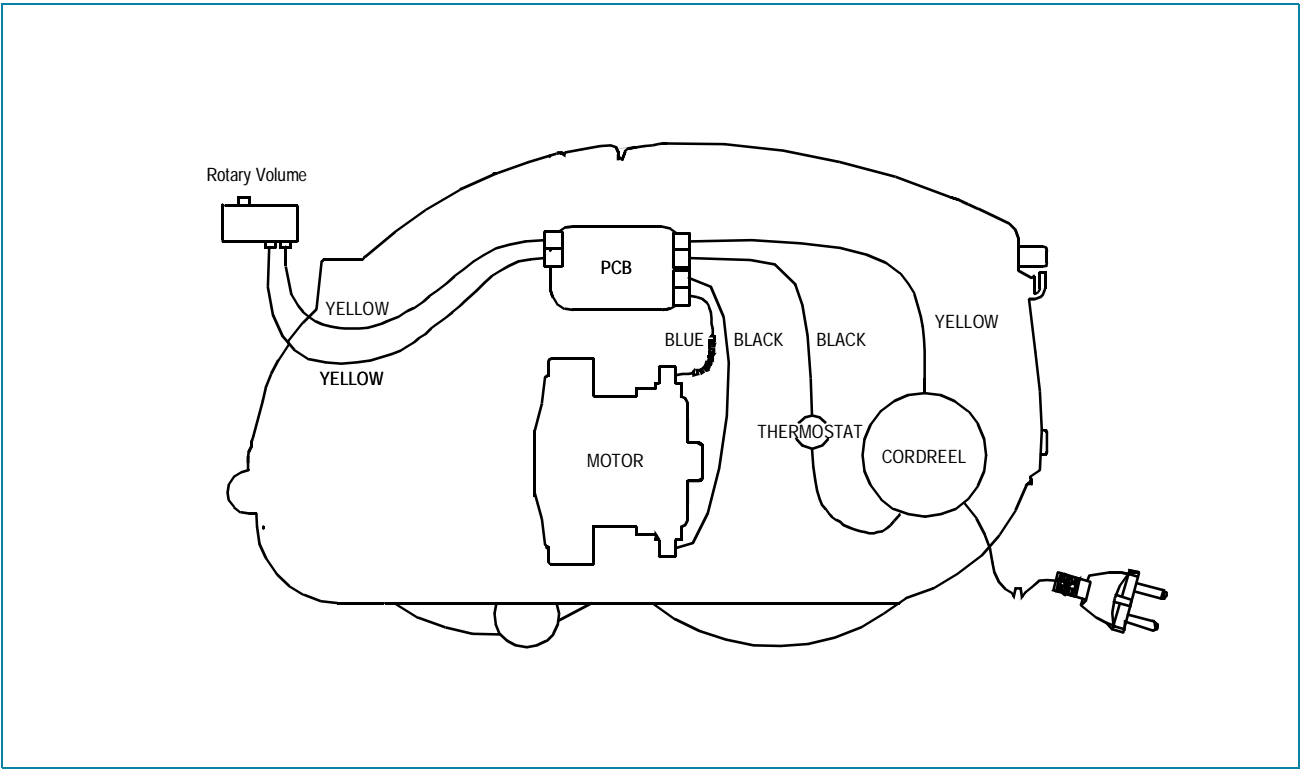
SPECIFICATIONS	2
DIAGRAM	3
1. WIRING DIAGRAM	3
2. CIRCUIT DIAGRAM	3
TROUBLE SHOOTING GUIDE	4
DISASSEMBLING	5
EXPLODED VIEW AND PARTS LIST.....	6
1. BODY ASSEMBLY(3620407500)	6
2. COVER ASSEMBLY(3621417700).....	8
3. MOTOR ASSEMBLY (3620009500)	10
4. CORD REEL ASSEMBLY (3629506000)	11
5. HOSE ASSEMBLY(3623206410)	13
6. WIDE SUCTION BRUSH ASSEMBLY(3629305100)	15
7. EXTENSION PIPE AND NOZZLES(3624404500).....	17

SPECIFICATIONS

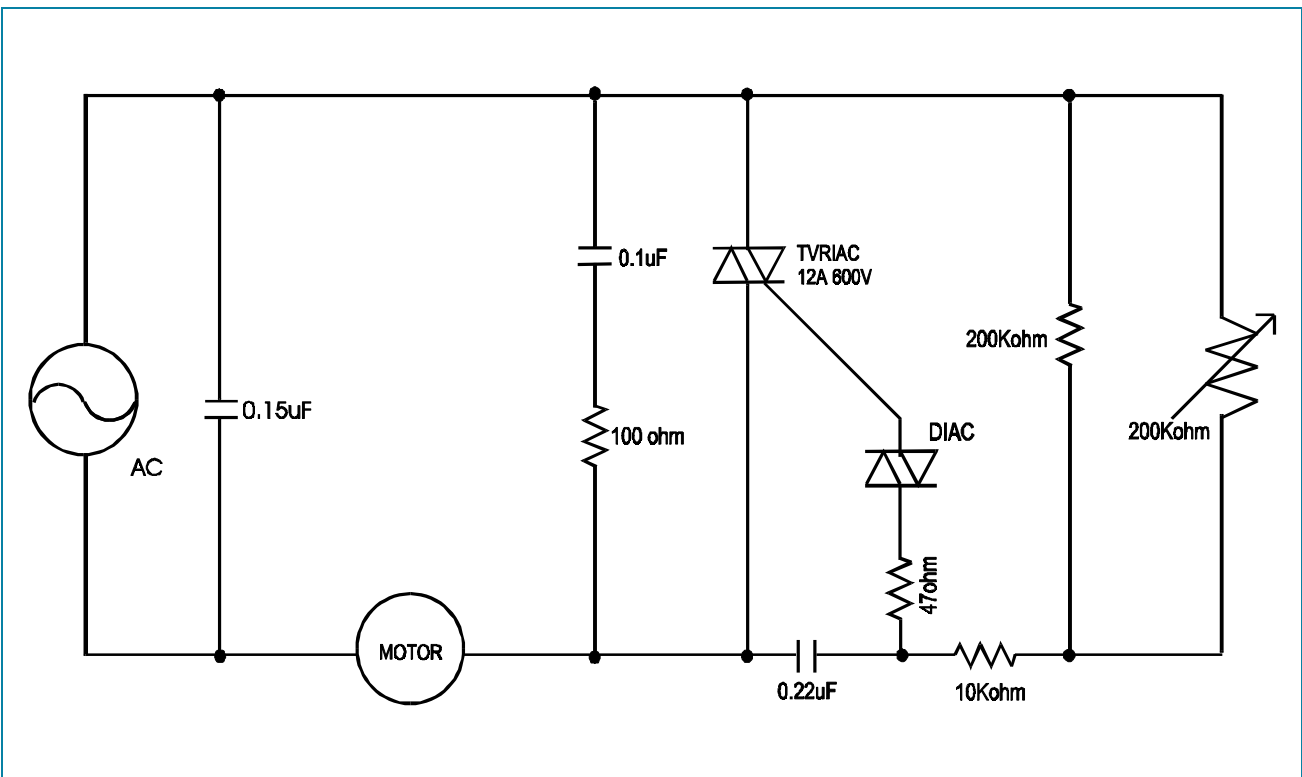
MODEL	RC-550
RATED VOLTAGE/FREQUENCY	230V/50Hz
INPUT WATT	MAX 1400W
WEIGHT (BODY)	5.2kg
DIMENSION (LHD)	376 X 231 X 286 mm
CORD LENGTH	6m
POWER CONTROL	ELECTRONICS VARIABLE
DUST METER	MECHANICAL
HOSE	CURRENT 1.8m
EXTENSION PIPE	TELESCOPIC
NOZZLE	WIDE SUCTION BRUSH, DUSTING BRUSH, CREVICE NOZZLE, UPHOLSTERY NOZZLE

1. DIAGRAM

1. WIRING DIAGRAM



2. CIRCUIT DIAGRAM



TROUBLE SHOOTING GUIDE

TROUBLE	CAUSE	COUNTERMEASURE
SUCTION POWER IS WEAK	FILTER BAG(PAPER OR CLOTH) IS FULL WITH DUST	CHANGE IT WITH NEW ONE
	CLOGGING OR TEAR IN HOSE	REMOVE OBSTACLE OR REPLACE THE HOSE
	DEFECTIVE MOTOR	REPLACE THE MOTOR
CLEANER DOES NOT WORK	BREAKING IN POWER CORD (AT BLADE TIP OR ROOT OF PLUG)	REPLACE THE POWER CORD
	BREAKING OF CONNECTIONS IN HOSE ASSEMBLY	REPAIR
	DEFECTIVE ROTARY VOLUME LOCATED IN HOSE HANDLE	REPLACE IT
	DEFECTIVE PCB ASSEMBLY	REPLACE IT
	BREAKING OF CONNECTIONS OR POOR CONTACTS IN CORD REEL ASSEMBLY	REPAIR
	DEFECTIVE MOTOR	REPLACE IT
	BREAKING OF CONNECTIONS IN BODY ASSEMBLY	REPAIR
DEFECTIVE SWITCH	REPLACE IT	
MOTOR DOES NOT STOP EVEN IF SWITCH OFF	DEFECTIVE PCB ASSEMBLY	REPLACE IT
MOTOR DOES NOT STOP EVEN IF SWITCH OFF	DEFECTIVE PCB ASSEMBLY	REPLACE IT
POWER CORD IS NOT WOUND UP	BROKEN REEL SPRING	REPLACE IT
	POWER CORD BROKE AWAY FROM THE BOBBIN	REPAIR

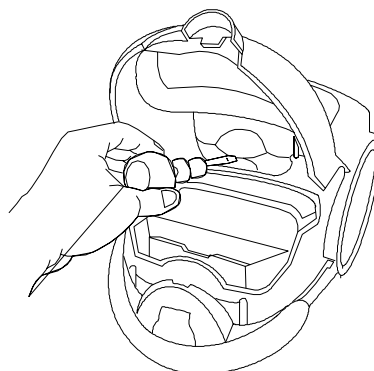
CAUTION

BE CAREFUL WHEN BREAKING UP THE CORD REEL. THE REEL SPRING MAY SPRING OUT OF THE SPRING COVER.

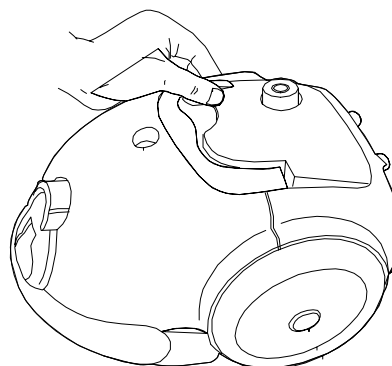
POWER CORD DOES NOT STOP AT AN ARBITRARY POSITION	ABRASION OF THE ROLLER BRAKE(STOPPER CR) OF CORD REEL	REPLACE THE ROLLER BRAKE (STOPPER CR)
	LEVER SPRING BROKE AWAY FROM THE CORD REEL BRACKET	REPAIR

DISASSEMBLING

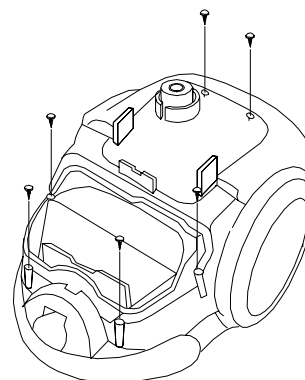
1. Open the dust cover. While inserting the tip of the [-] screwdriver into the slip push it upward.



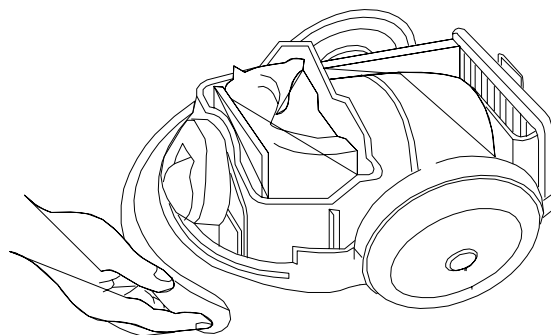
2. Close the dust cover and remove the middle cover.



3. Unscrew the 6 [+] screws which lock the body and body cover.

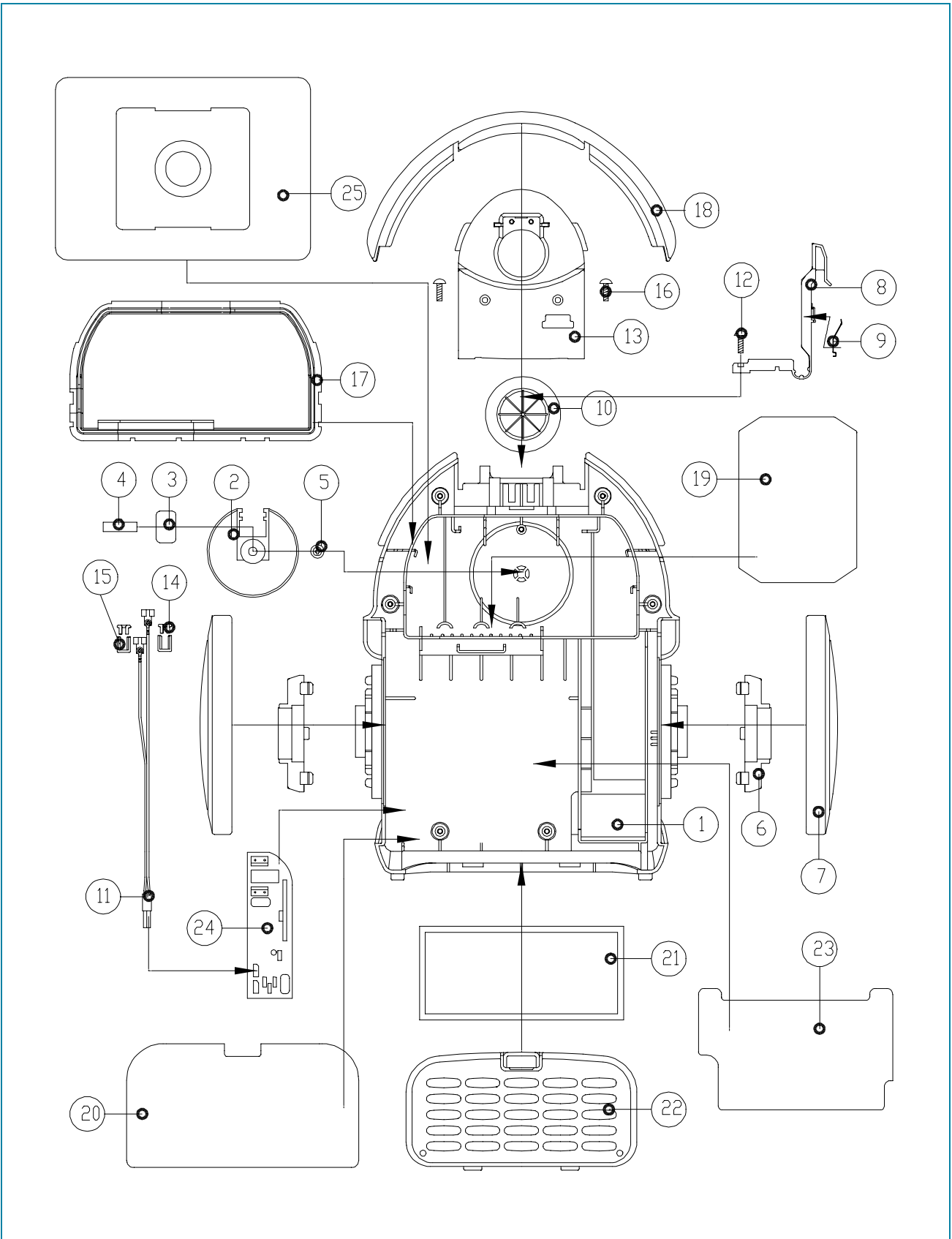


4. Remove the protector and unscrew the 2 [+] screws.



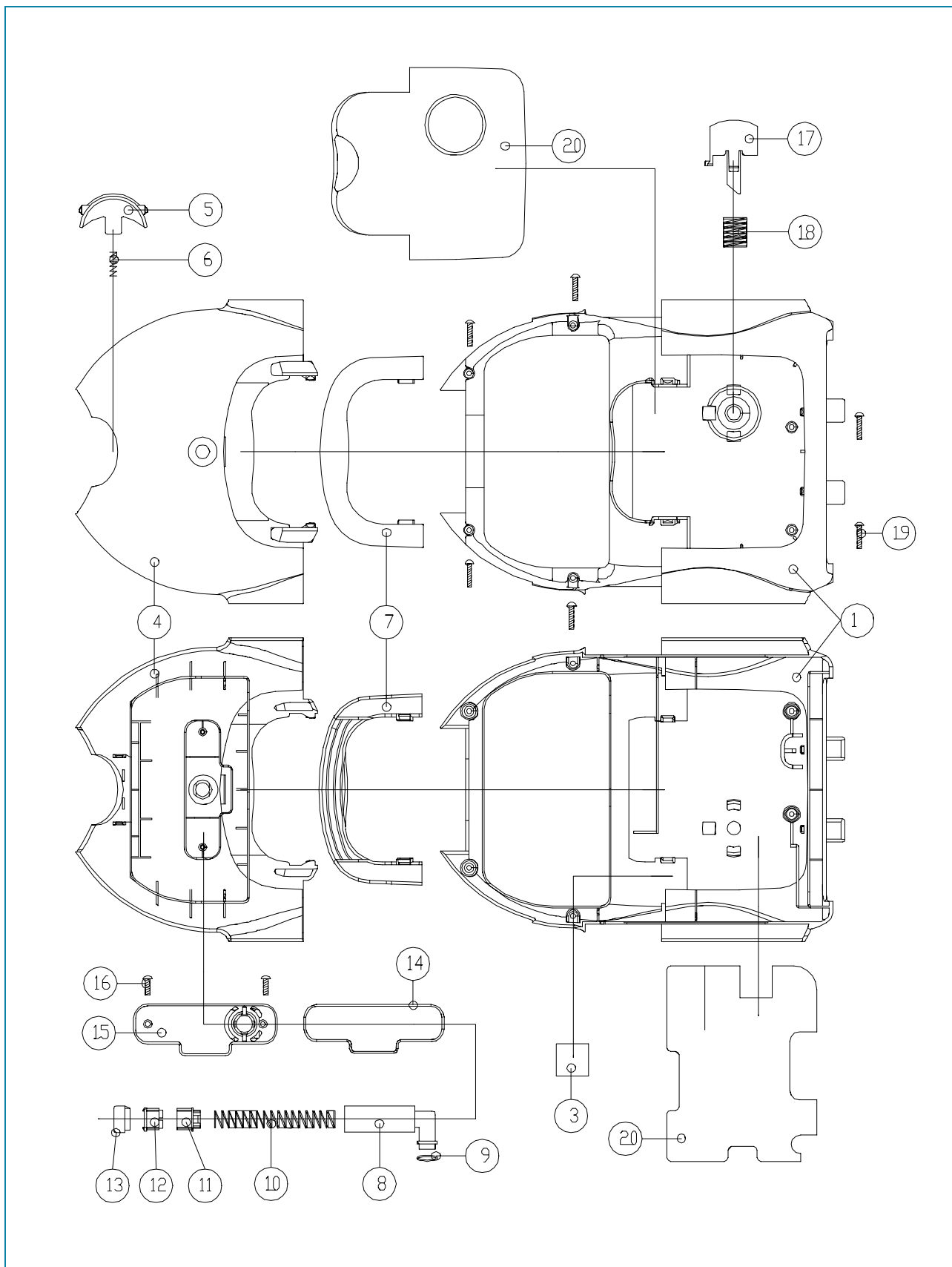
EXPLODED VIEW AND PARTS LIST

1. BODY ASSEMBLY(3620407500)



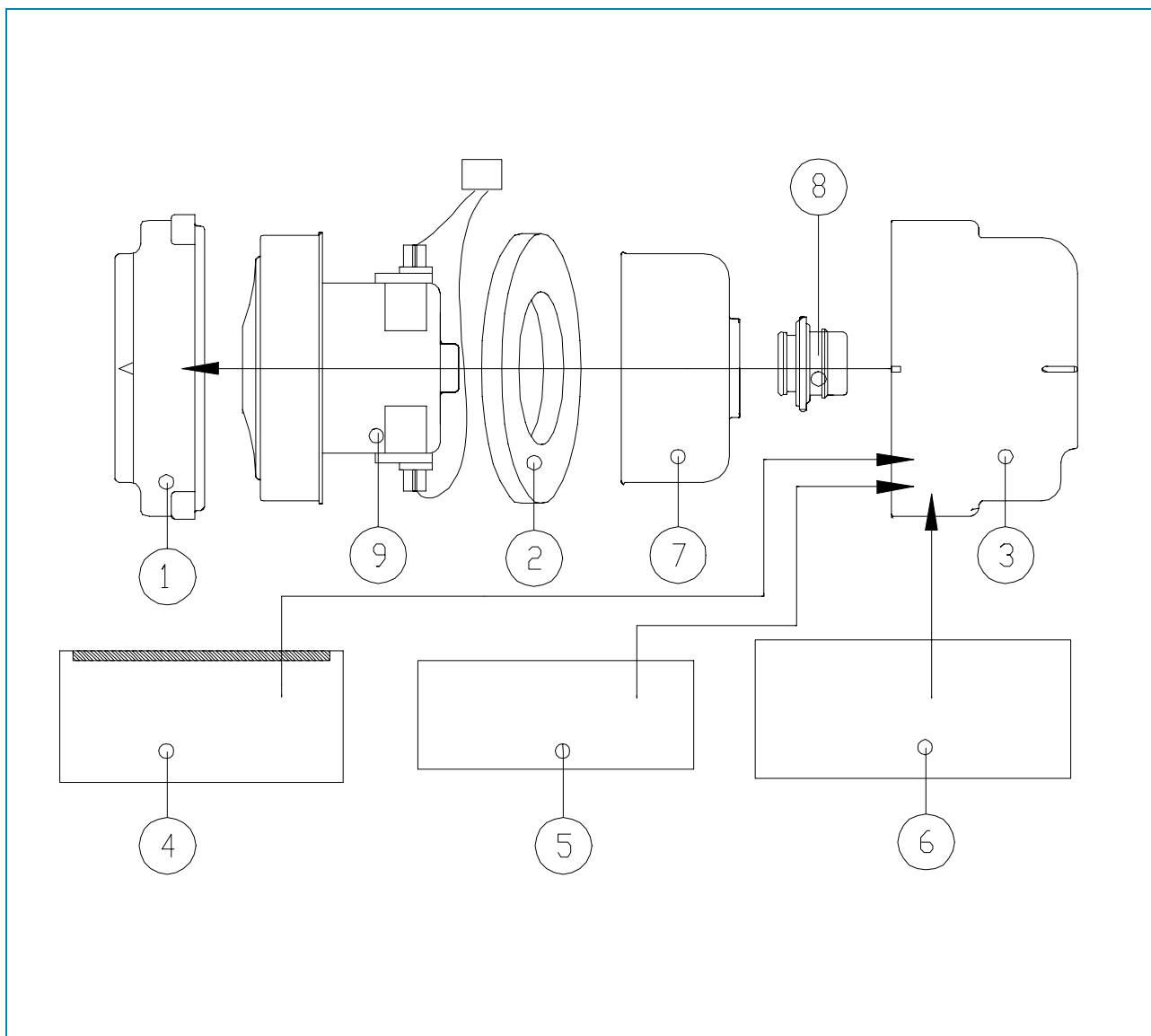
NO	PART NAME	CODE	SPEC.	Q'TY
1	BODY	3620405500	ABS KR-2870	1
2	BRACKET ROLLER	3620601500	PP	1
3	ROLLER FRONT	3624703200	SBS+PP	1
4	SHAFT ROLLER	3624901000	SWRM	1
5	SCREW TAPPING	7128401212	T2S WAS 4X12 MFZN BK	1
6	BUSHING ROLLER	3620601300	NYLON 6	2
7	ROLLER BACK	3624702900	PP+PVC-S	2
8	HOLDER FILTER	3623003800	NYLON 66	1
9	SPRING HOLDER	3625105400	SUS304-H, T=0.2	1
10	PACKING SOCKET	3624004500	NR	1
11	STERMINAL AS	3628708400	TERMINAL+WIRE	1
12	SCREW TAPPING	3628708400	T2S PAN 4X8 MFZN	1
13	SOCKET	3620405600	ABS KR-2870	1
14	CASE TERMINAL	3621101700	PC, COVER	2
15	CASE TERMINAL	3621101800	PC, BODY	2
16	SCREW TAPPING	7121401411	T2S PAN 4X14 MFZN	3
17	GASKET	3622300200	SBS 50DEG	1
18	PROTECTOR	3628300700	PVC-S	1
19	FILTER	3621903800	PU FOAM, INH	1
20	FILTER EXHUST	3621903900	POLYESTER+TAPE	1
21	FILTER MICRO	3621904710	PP FIBER	1
22	CASE FILTER	3621103600	PP	1
23	ABSORBER SOUND	3620108200	FELT T=3.0	1
24	PC POWER CONTROL AS	3624306700	RC-450 230/50	1
25	FILTER BAG	3621900900	2-LAYER	1

2. COVER ASSEMBLY(3621417700)



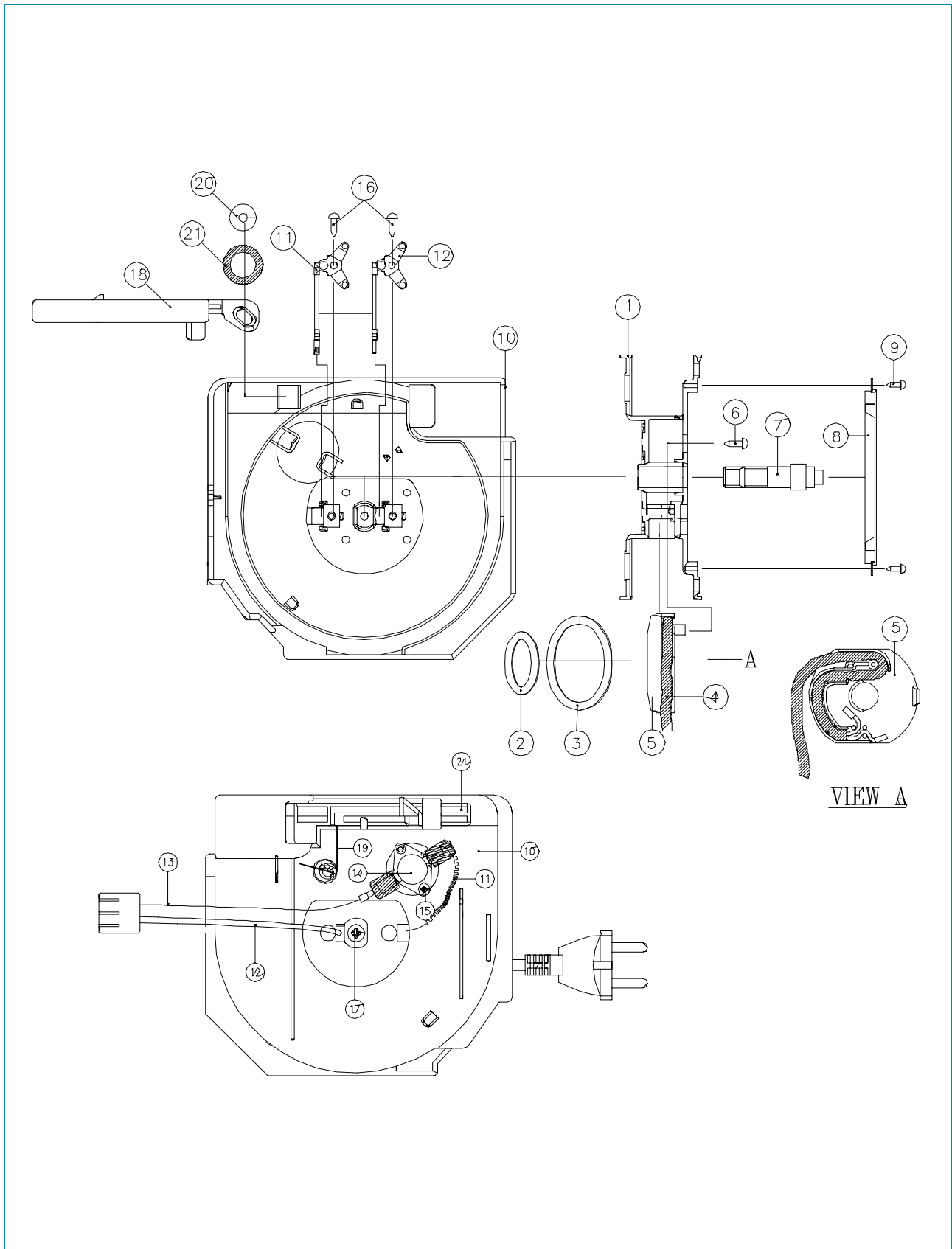
NO	PART NAME	CODE	SPEC.	Q'TY
1	COVER BODY	3621415850	ABS+PAINTING	1
2	PACKING HOLE	3624004600	EVA FOAM	2
3	COVER DUST	3621415950	ABS+PAINTING	1
4	CLAMP DC	3621201950	ABS+CR PLATED	1
5	SPRING	3625105600	HSW3	1
6	HANDLE	3622601250	ABS+PAINTING	1
7	ELBOW	3627100210	GPPS	1
8	RING-O	3624600100	EPDM	1
9	SPRING	3625105700	SUS304, DM(103MM)	1
10	DUST METER	3629700100	ABS	1
11	DUST METER	4560F23030	ABS	1
12	PACKING	3624000410	S-PVC	1
13	PACKING DM (O-RING)	3624004400	NR	1
14	COVER DM	3621416100	ABS KR-2870	1
15	SCREW TAPPING	7121401411	T2S PAN 4X14 MFZN	2
16	BUTTON CR	3626603550	ABS+CR PLATED	1
17	SPRING	3625103400	HSW3CR BUTTON	1
18	SCREW TAPPING	7121402011	T2S PAN 4X20 MFZN	6
19	COVER MIDDLE	3621416050	ABS+PAINTING	1

3. MOTOR ASSEMBLY (3620009500)



NO	PART NAME	CODE	SPEC.	Q'TY
1	PACKING MOTOR	3624006100	NR+EPDM	1
2	ABSORBER SOUND	3620105900	PU FOAM T=20	1
3	CASE MOTOR REAR	3621102800	abs kr-2870	1
4	FILTER	3621904500	POLYESTER+TAPE	1
5	ABSORBER SOUND	3620108300	FELT T=3.0	1
6	ABSORBER SOUND	3620108400	FELT T=3.0	1
7	GUIDE AIR	3622501300	PC LEXAN 500	1
8	MOUNT MOTOR	3620903200	NR	1
9	MOTOR VC	3962511700	230V 1400W	1

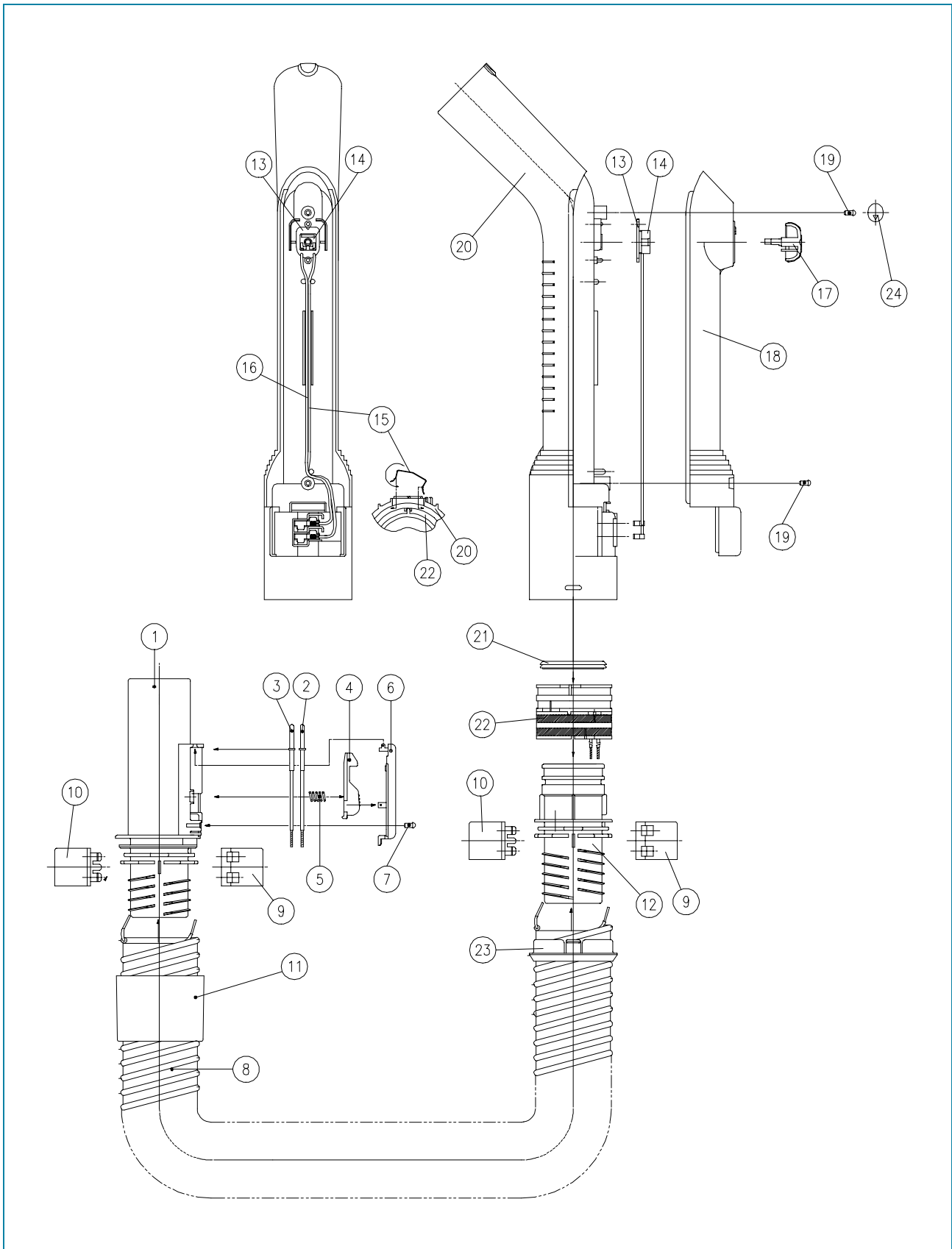
4. CORD REEL ASSEMBLY (3629506000)



EXPLODED VIEW AND PARTS LIST

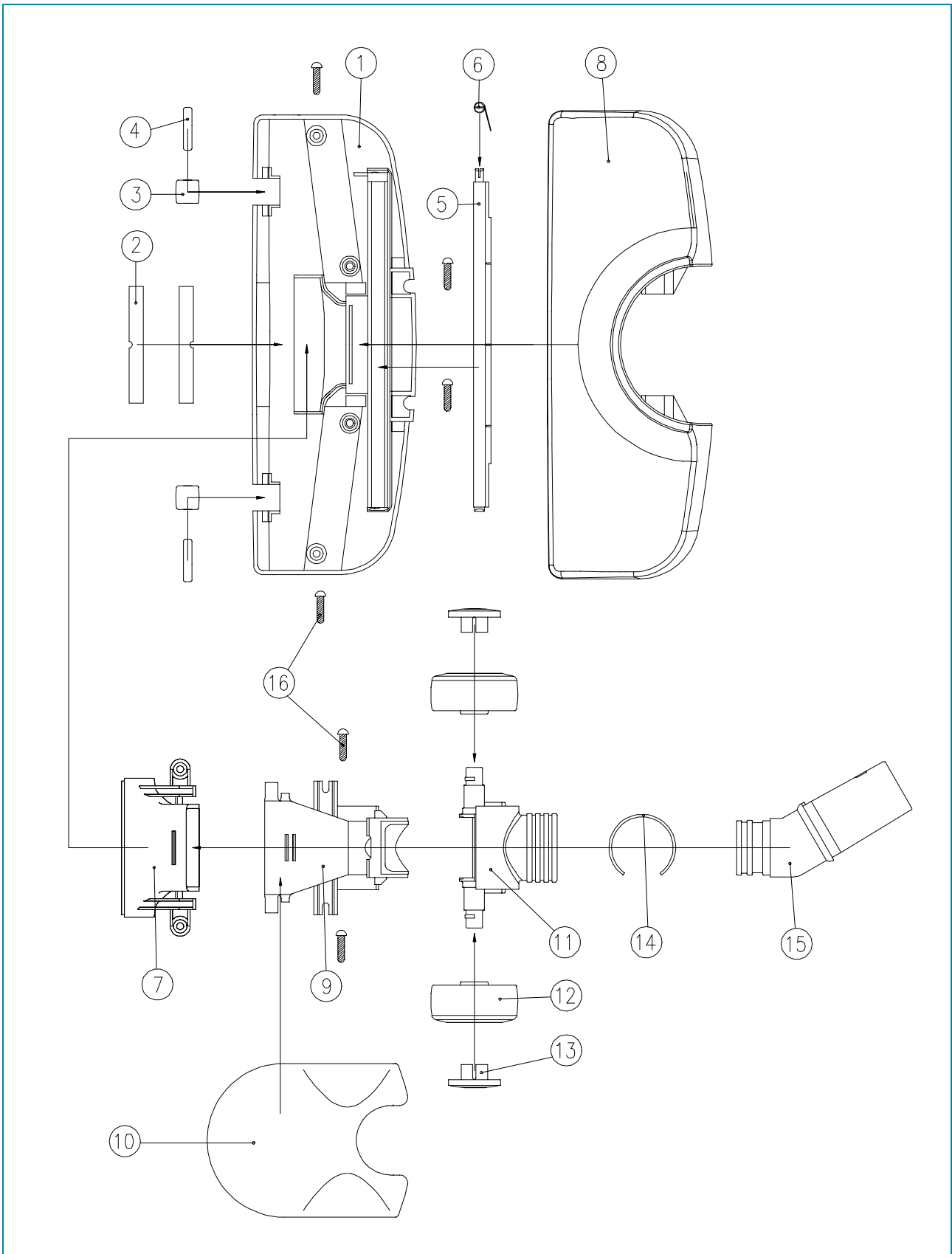
NO	PART NAME	CODE	SPEC.	Q'TY
1	BOBBIN	4569C35011	ABS	1
2	TERMINAL	3565A36024	C2600P-1/2H T0.3	1
3	TERMINAL	4565A36034	C2600P-1/2H T0.3	1
4	CORD POWER	3621303900	250V 16A H05V2V2H2-F	1
5	SUPPORTER TERMINAL	3625300100	PC LEXAN 500	1
6	SCREW TAPPING	7121401211	T2S PAN 4X12 MFZN	1
7	SHAFT CR	4569C35051	PC LEAXAN 121	1
8	SPRING AS	3625102010	SUS301-EH+COVER, 4710MM	1
9	SCREW TAPPING	7121300811	T2S PAN 3X8 MFZN	2
10	BRACKET CR	3620601410	PC	1
11	HARNESS	3622709710	ASSY	1
12	HARNESS	3622709810	ASSY	1
13	HARNESS	3622709910	ASSY	1
14	THERMOSTAT	3629001400	KI T85	1
15	SCREW TAPPING	7121300811	T2S PAN 3X8 MFZN	1
16	SCREW TAPPING	7121400611	T2S PAN 4X6 MFZN	2
17	SCREW TAPPING	7121401411	T2S PAN 4X14 MFZN	1
18	LEVER CR	3623701900	ABS KR-2870	1
19	SPRING	3625103200	HSW3	1
20	FRAME STOPPER	4565A35070	POLY ACETAL (POM)	1
21	STOPPER CR	4569C35082	NBR	1

5. HOSE ASSEMBLY(3623206410)



EXPLODED VIEW AND PARTS LIST

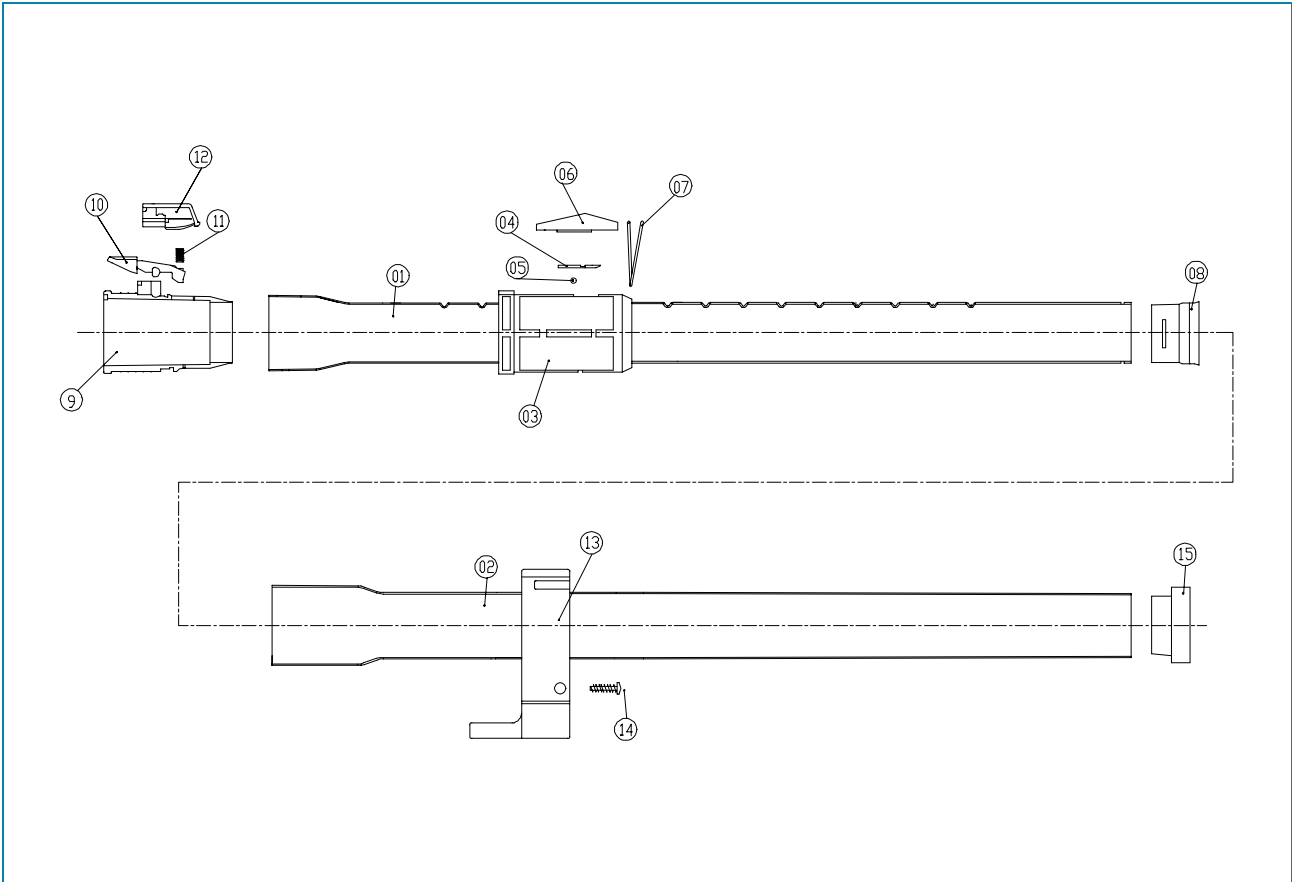
NO	PART NAME	CODE	SPEC.	Q'TY
1	ADAPTER	3629101910	PC	1
2	TERMINAL AS	3628710200	TERMINAL+WIRE(YL)	1
3	TERMINAL AS	3628710400	TERMINAL+WIRE(BR)	1
4	CLAMP ADAPTER	3621200900	ABS	1
5	SPRING	3625102900	HSW3	1
6	COVER ADAPTER	3625102900	PC	1
7	SCREW TAPPING	7121300812	T2S PAN 3X8 MFZN BK	1
8	HOSE	3623206710	EVA 1.8M	1
9	CLAMP HOSE A	3623004500	ABS	2
10	CLAMP HOSE B	3623004600	ABS	2
11	COVER HOSE	3621418600	PP	1
12	PIPE HOSE	3624409210	PC	1
13	PCB	3624307710	1.6T	1
14	VR ROTARY	5V2204009B	B200K	1
15	TERMINAL AS	3628710300	ASSY(YW)	1
16	TERMINAL AS	3628710500	ASSY(BR)	1
17	KNOB	3623401300	PC	1
18	COVER PIPE	3621418710	PC	1
19	SCREW TAPPING	7121301211	T2S PAN 3X12 MFZN	2
20	ADAPTER PIPE	3629101810	PC	1
21	PACKING PIPE	3624002400	NBR	1
22	FRAME TERMINAL AS	3622201400	ASSY	1
23	HOLDER HOSE	3623004700	PP	1
24	DECORATOR	3621600410	PC FILM	1

6. WIDE SUCTION BRUSH ASSEMBLY(3629305100)

EXPLODED VIEW AND PARTS LIST

NO	PART NAME	CODE	SPEC.	Q'TY
1	BODY BRUSH	3620403500	PP	1
2	PICKER LITTER	3627000700	PA	2
3	ROLLER-F BRUSH	3624703100	PP	2
4	SHAFT ROLLER	3624900900	PA	2
5	SWEEPER BRUSH	3629305600	ABS+PA	1
6	SPRING SWEEPER	3625106600	HSW2	1
7	NOZZLE BRUSH	3628101000	PP	1
8	COVER BRUSH	3621418900	PP	1
9	DUCT BRUSH	3629305500	PP	1
10	COVER NECK	3621419000	ABS	1
11	NECK BRUSH	3628002000	ABS	1
12	ROLLER-B BRUSH	3624703900	PP	2
13	ROLLER CAP	3620903600	ABS	2
14	RING PIPE	3624600300	POM	1
15	PIPE BRUSH	3624409300	PP	1
16	SCREW TAPPTITE	7121401411	TT2 PAN 4X14 MFZN	6

7. EXTENSION PIPE AND NOZZLES(3624404500)



NO	PART NAME	CODE	SPEC.	Q'TY
1	PIPE STEEL IN	3624409600	SPC	1
2	PIPE STEEL OUT	3624409800	SPC	1
3	GUIDE PIPE	3622502900	POM	1
4	GUIDE KNOB	3622502800	POM	1
5	SHAFT PIPE	3624900800	STS 304-B	1
6	KNOB PIPE	3621400900	PC	1
7	SPRING PIPE	3625105200	HSWR	1
8	PACKING PIPE	3624003900	PE	1
9	CUFF	3626800700	PC	1
10	BUTTON	3626603800	PC	1
11	SPRING BUTTON	3625106700	HSW3	1
12	COVER BUTTON	3621418100	PC	1
13	HOLDER	3623004800	ABS	1
14	SCREW TAPPING	7121401411	T2S PAN 4X14 MFZN	1
15	CAP PIPE STEEL	3620902700	PP	1

DAEWOO

DAEWOO ELECTRONICS CO., LTD

686, AHYEON-DONG MAPO-GU
SEOUL, KOREA
C.P.O. BOX 8003 SEOUL, KOREA
TELEX : DWELEC K28177-8
CABLE : "DAEWOOELEC"
E-mail : G7F00E@web.dwe.co.kr
FAX : 02) 360-8184
TEL: 02) 360-8179-8180

PRINTED DATE : NOV. 1998