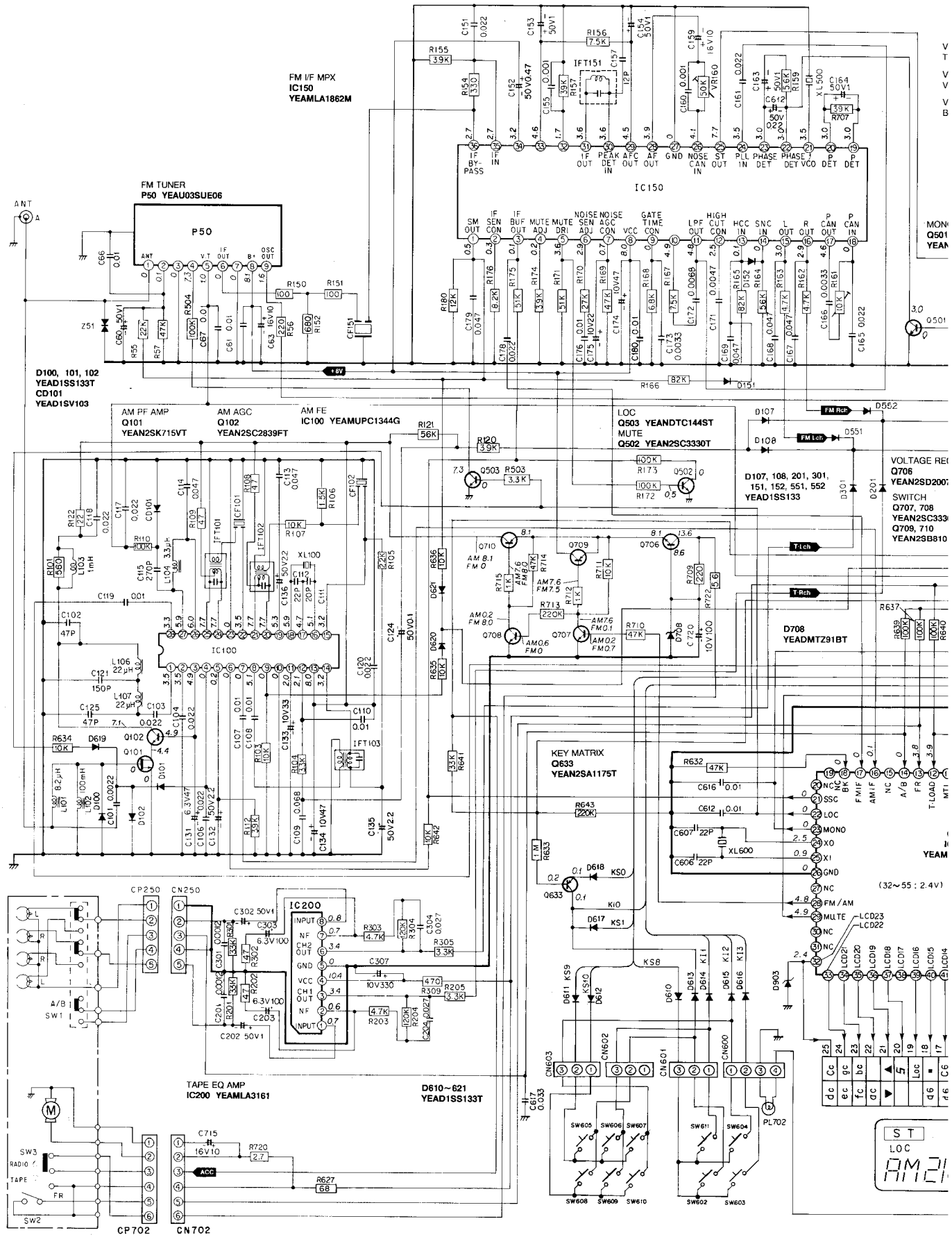


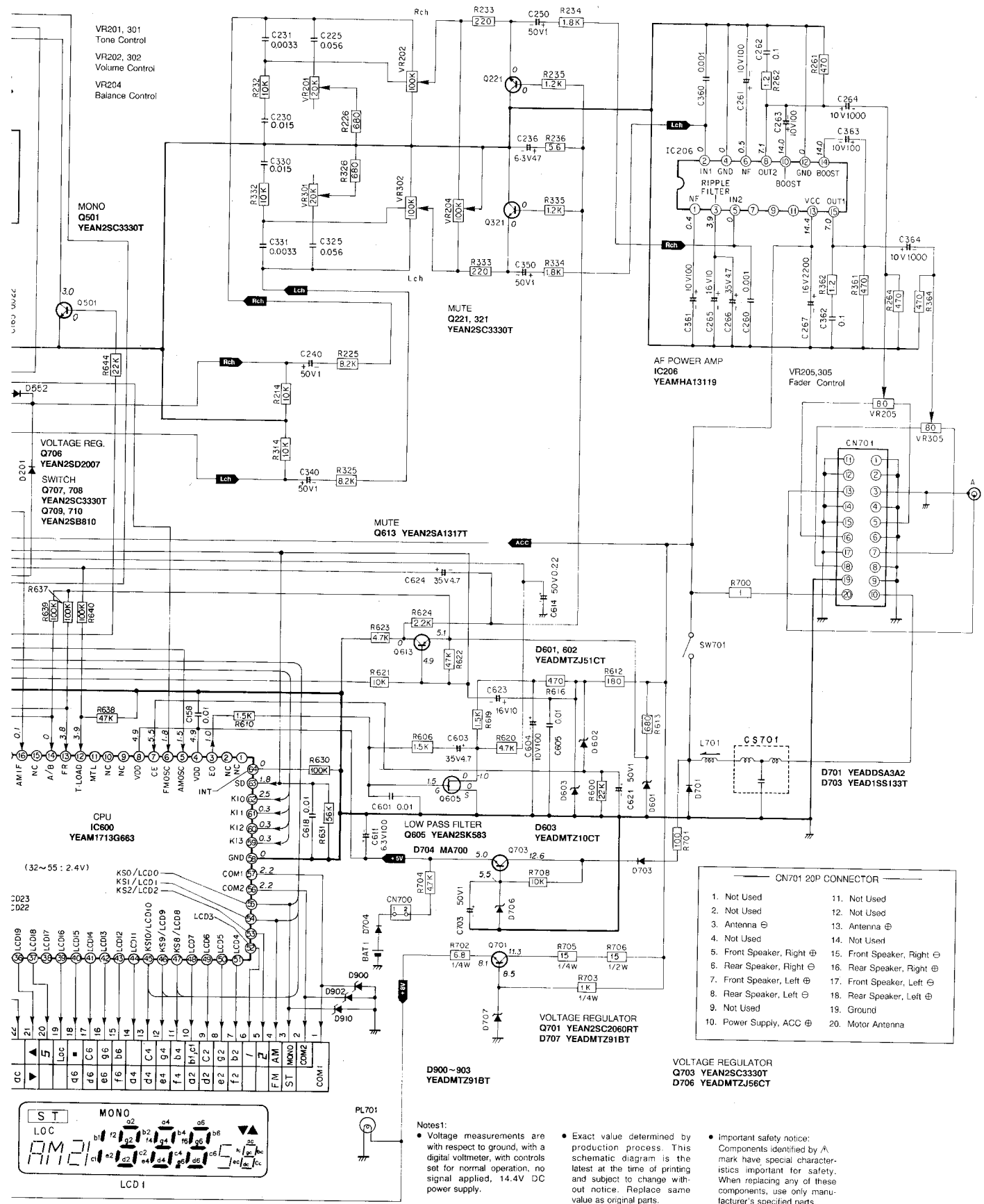
SCHEMATIC DIAGRAM MODEL CQ-J03LEEP



MON: Q501 YEAN
VOLTAGE RE: Q706 YEAN2SD200; SWITCH Q707, 708 YEAN2SC333; Q709, 710 YEAN2SB810
YEAM
(32~55 : 2.4V)

ST
LOC
AM21





Digital Control Receiver / Cassette Player

