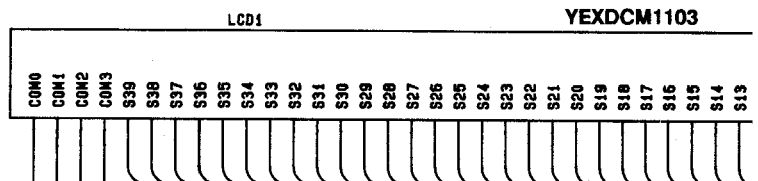


SCHEMATIC DIAGRAM / SCHALTBILT MODELS CQ-RD40/45LEN (Display Blo

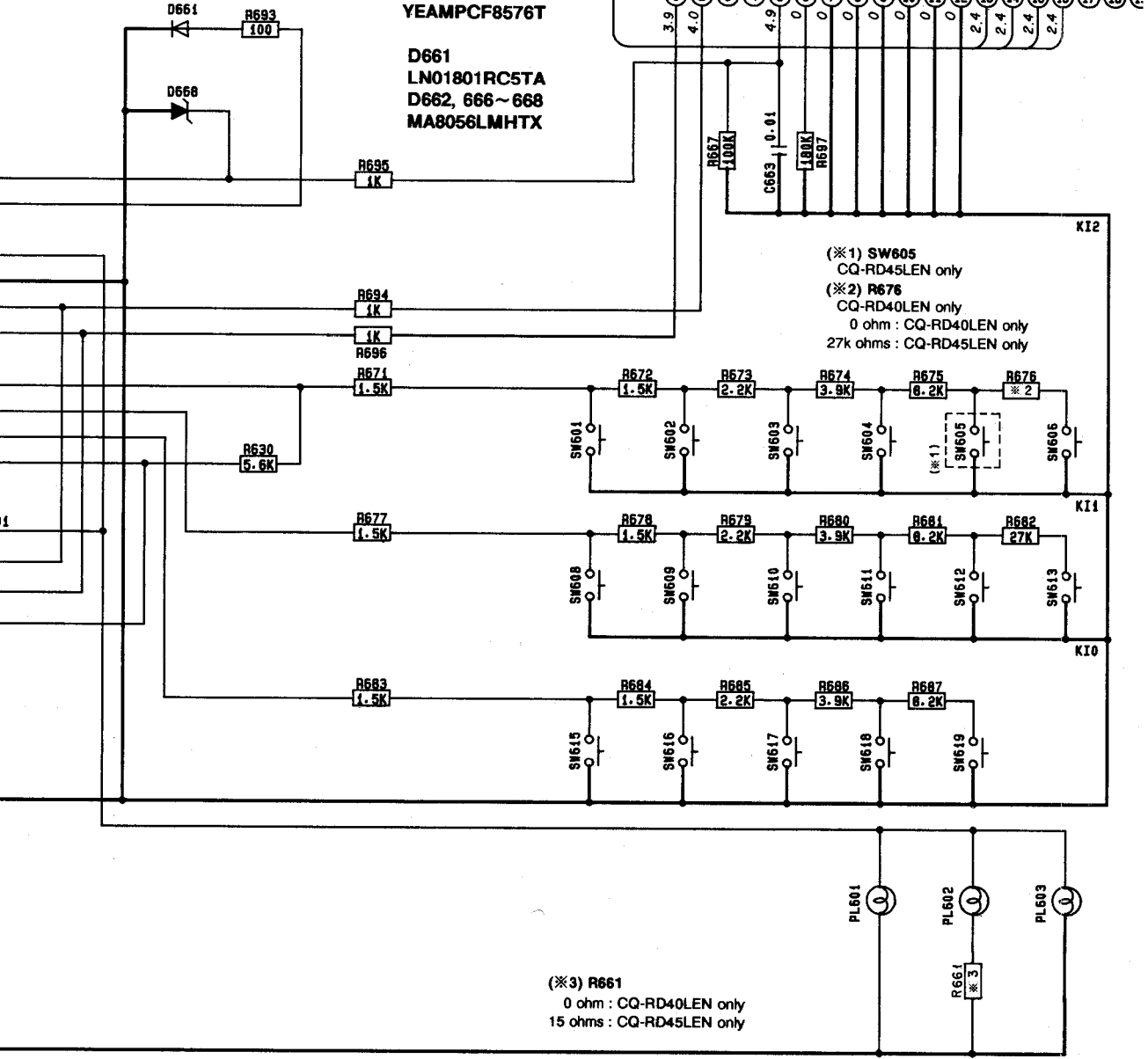
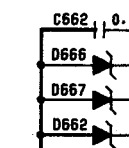
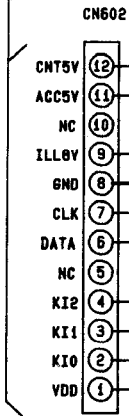
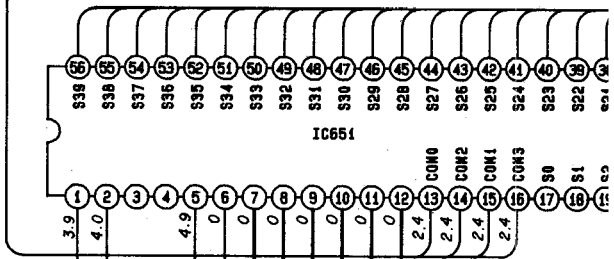
E - 8006



To Extend P.C.B.
E-6534Ab CP602

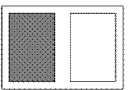
LCD DRIVER
IC651
YEAMPCF8576T

D661
LN01801RC5TA
D662, 666~668
MA8056LMHTX



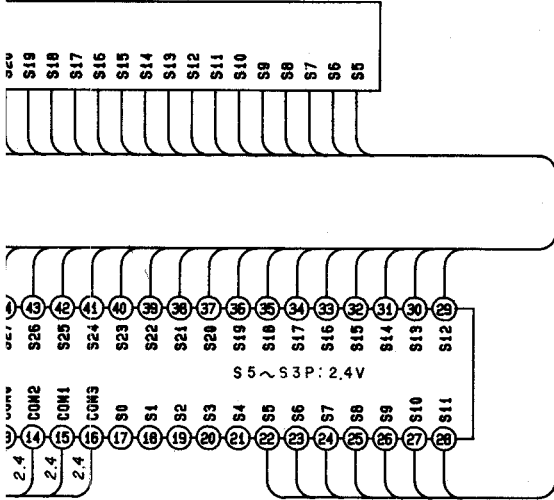
(※1) SW605
CQ-RD45LEN only
(※2) R676
CQ-RD40LEN only
0 ohm : CQ-RD40LEN only
27k ohms : CQ-RD45LEN only

(※3) R661
0 ohm : CQ-RD40LEN only
15 ohms : CQ-RD45LEN only

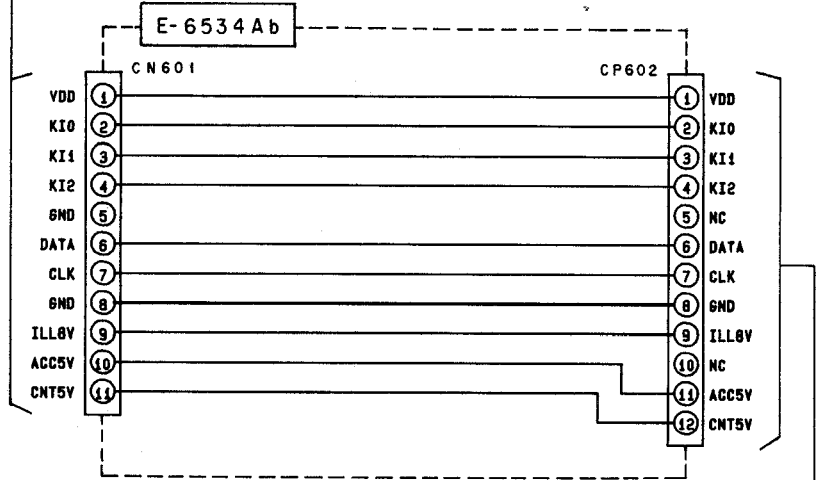


Display Block)

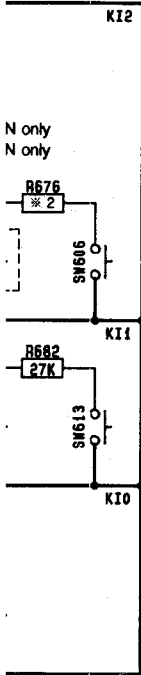
EXDCM1103



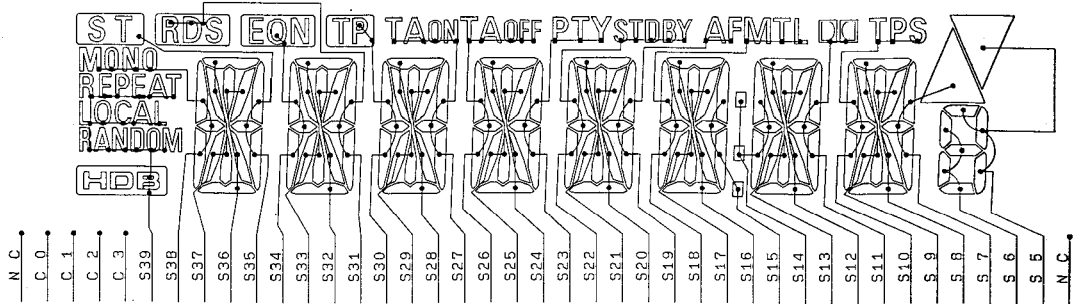
To Main P.C.B.
E-6534Aa CN601



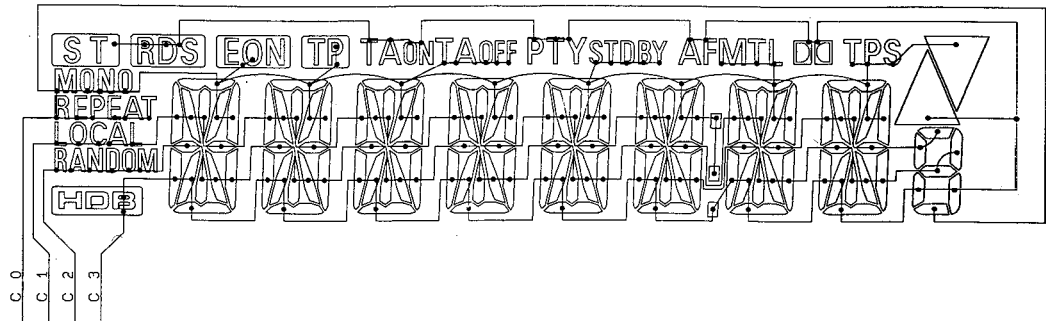
To Display P.C.B.
E-8006 CN602



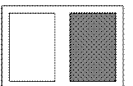
SEGMENT



COMMON

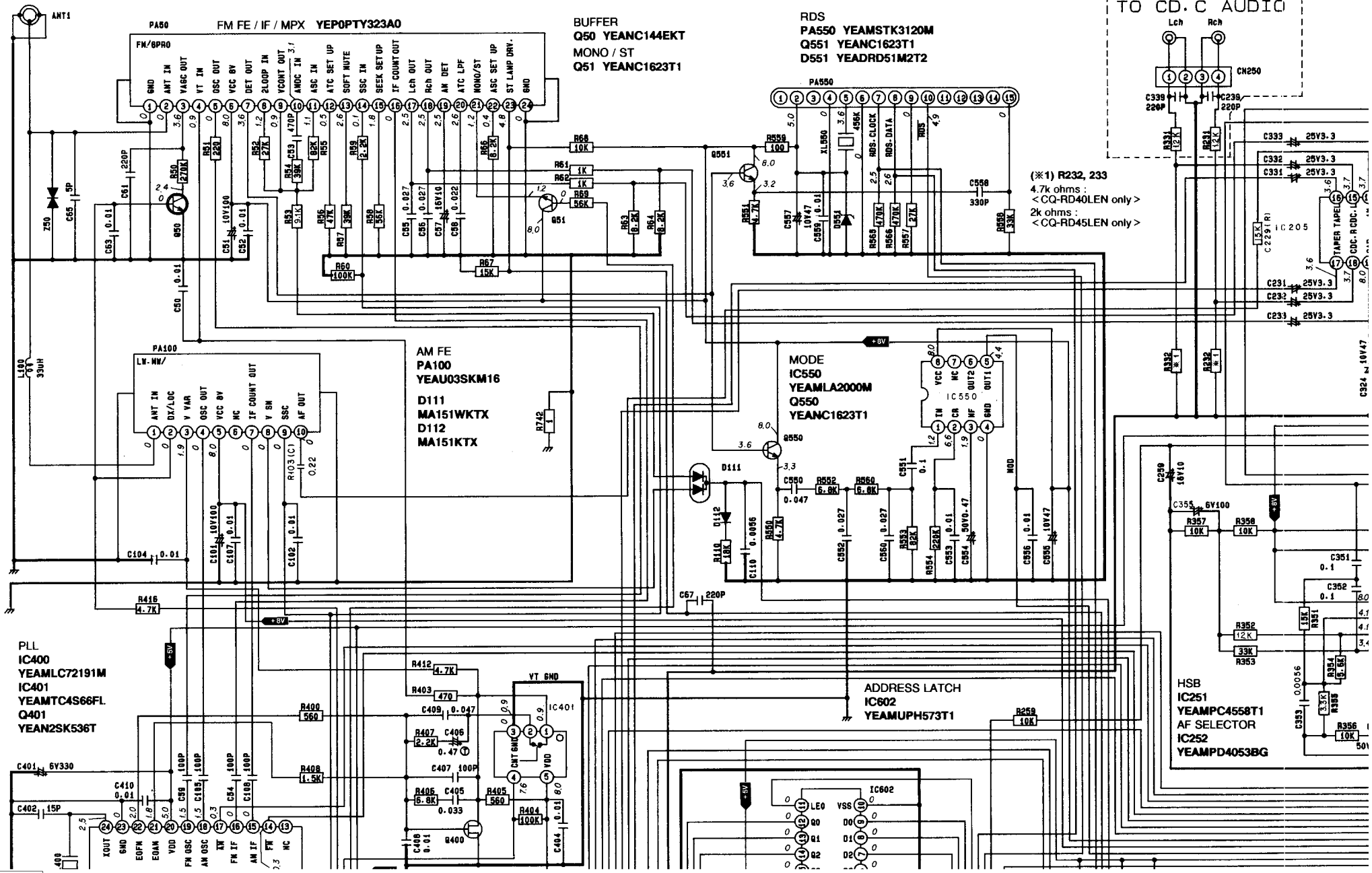


Removable Face High-Power Cassette / RDS Receiver



SCHEMATIC DIAGRAM / SCHALTBILT MODELS CQ-RD40/45LEN (Main Block)

ANT



TO CD.C AUDIO

Lch Rch

CN250

(*1) R232, 233
4.7k ohms:
< CQ-RD40LEN only >
2k ohms:
< CQ-RD45LEN only >

HSB
IC251
YEAMPC4558T1
AF SELECTOR
IC252
YEAMPD4053BG

ADDRESS LATCH
IC602
YEAMUPH573T1

MODE
IC550
YEAMLA2000M
Q550
YEANC1623T1

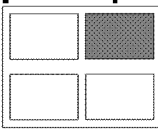
AM FE
PA100
YEAU03SKM16
D111
MA151WKTX
D112
MA151KTX

BUFFER
Q50 YEANC144EK
MONO / ST
Q51 YEANC1623T1

RDS
PA550 YEAMSTK3120M
Q551 YEANC1623T1
D551 YEADR51M2T2

PA80 FM FE / IF / MPX YEP0PTY323A0

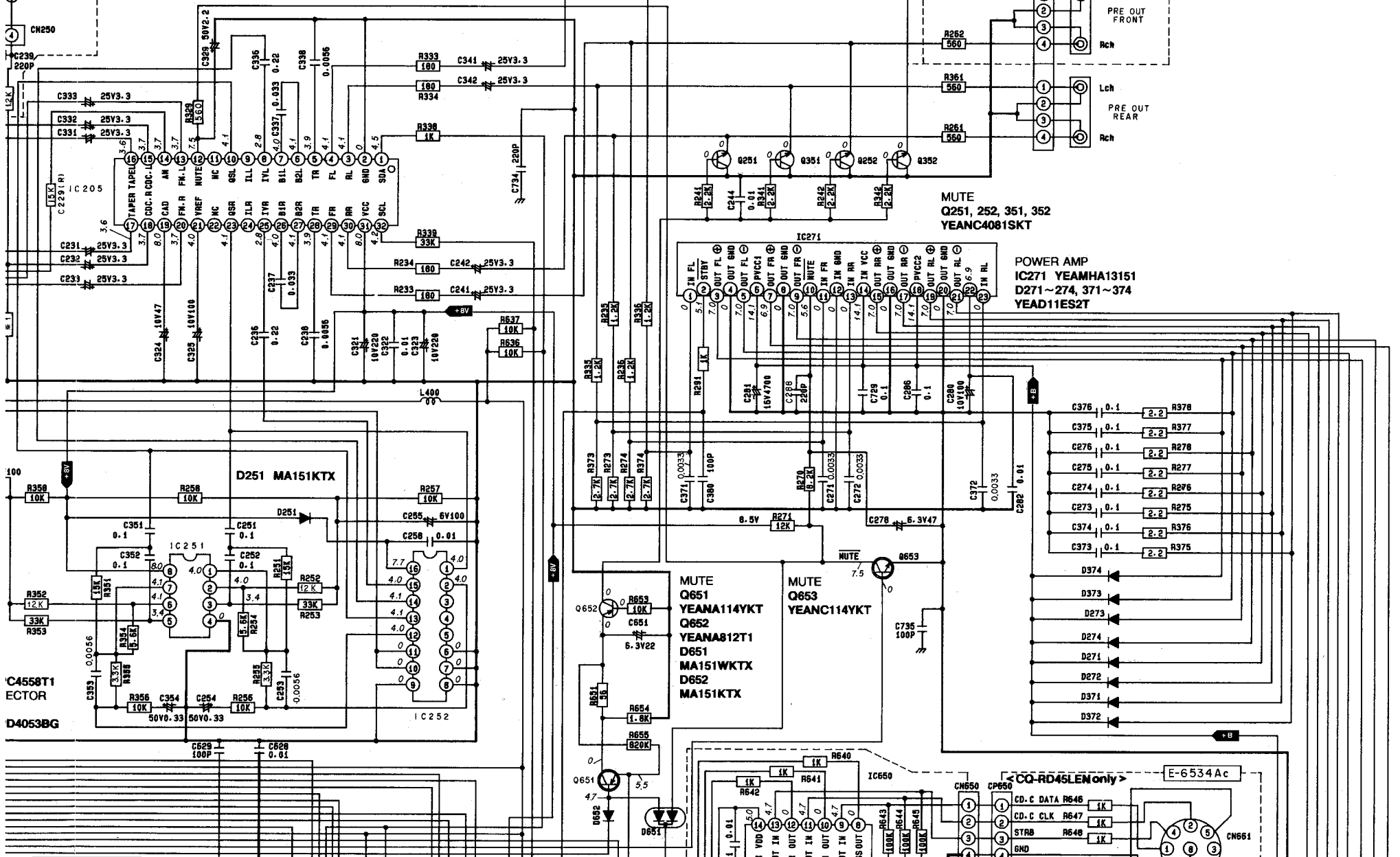
PLL
IC400
YEAML72191M
IC401
YEAMTC4S66FL
Q401
YEAN2SK536T



AUDIO

ELECTRIC VOLUME CONTROL
IC250 YEAMEA6320TT

< CQ-RD45LEN only >



C4558T1
ECTOR
D4053BG

D251 MA151KTX

MUTE
Q651
YEANA114YKT
Q652
YEANA812T1
D651
MA151WKT
D652
MA151KTX

MUTE
Q653
YEANC114YKT

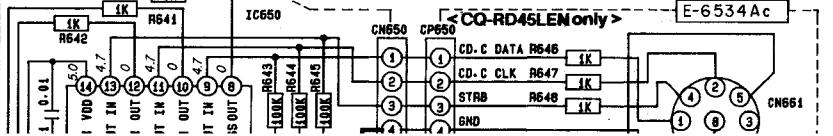
MUTE
Q251, 252, 351, 352
YEANC4081SKT

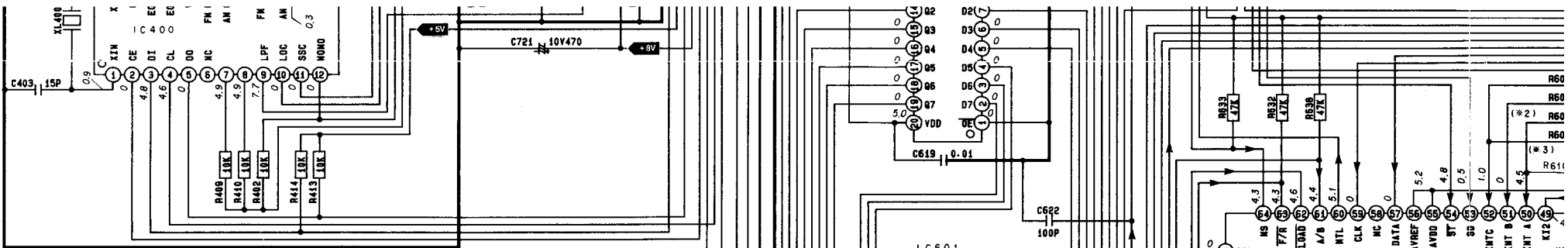
POWER AMP
IC271 YEAMHA13151
D271~274, 371~374
YEAD11ES2T

- C376 0.1 2.2 R378
- C375 0.1 2.2 R377
- C276 0.1 2.2 R278
- C275 0.1 2.2 R277
- C274 0.1 2.2 R276
- C273 0.1 2.2 R275
- C374 0.1 2.2 R376
- C373 0.1 2.2 R375
- D374
- D373
- D273
- D274
- D271
- D272
- D371
- D372

< CQ-RD45LEN only >

E-6534 Ac

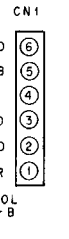
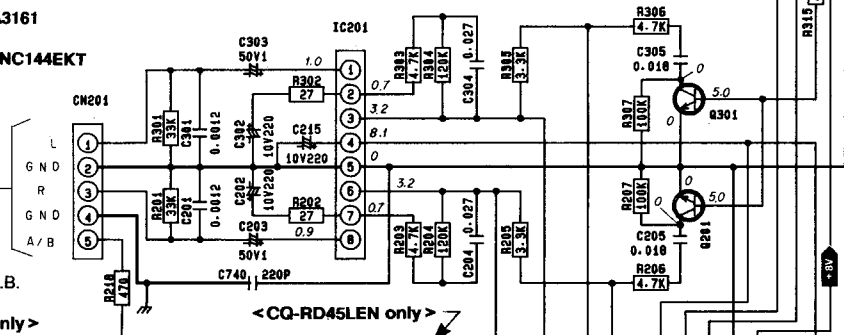




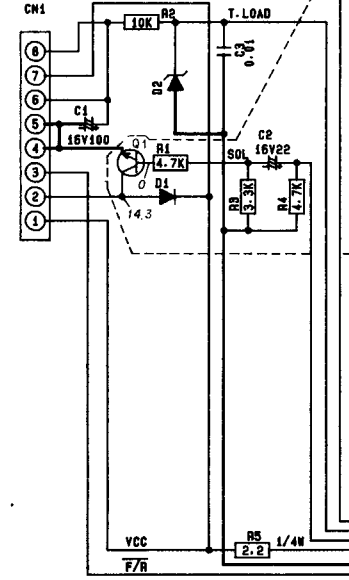
TAPE EQ AMP
IC201 YEAMLA3161
MTL
Q201, 301 YEANC144EKT

To Tape Head P.C.B.
 E-7542
 CNP1

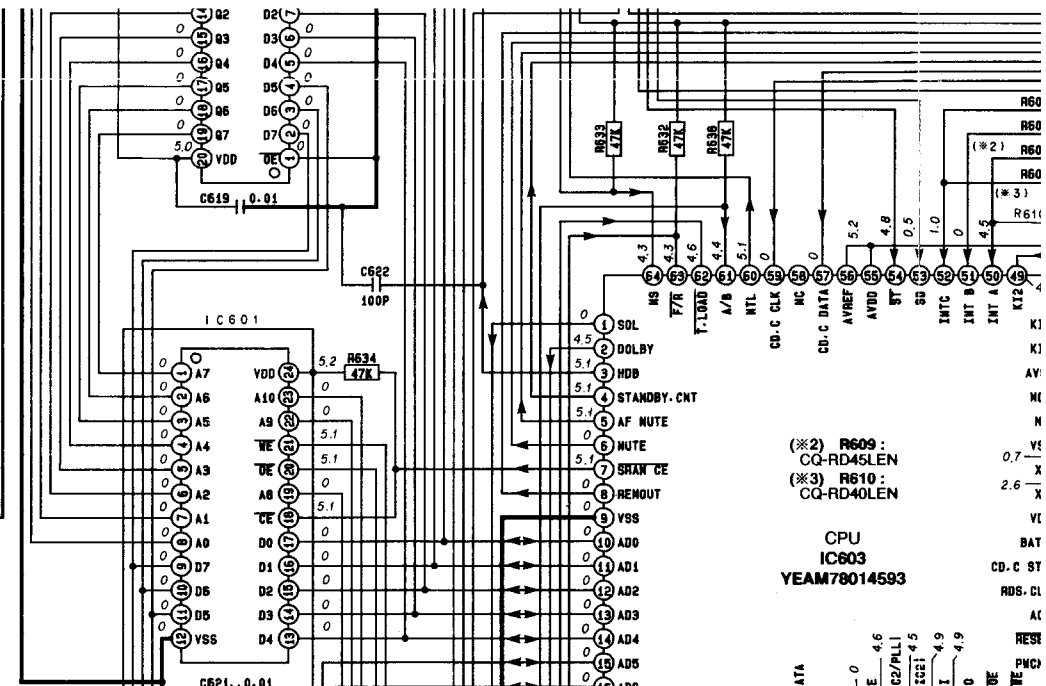
To Tape Deck P.C.B.
 E-1940 CP701
<CQ-RD40LEN only>



To Tape Deck P.C.B.
 E-1940 CP701
<CQ-RD45LEN only>



SOL DRIVER
Q1 YEAN2SD1111
D1 YEADD5M1A2T7
D2 YEADR51M2T2
DOLBY
IC202 YEAMCX1102MT
MS
IC203 YEAMLA2000M

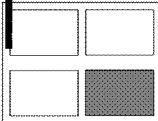
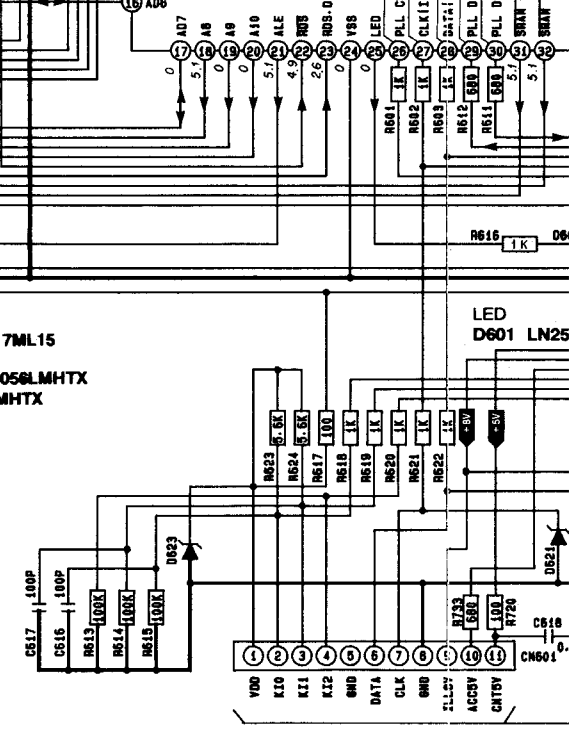


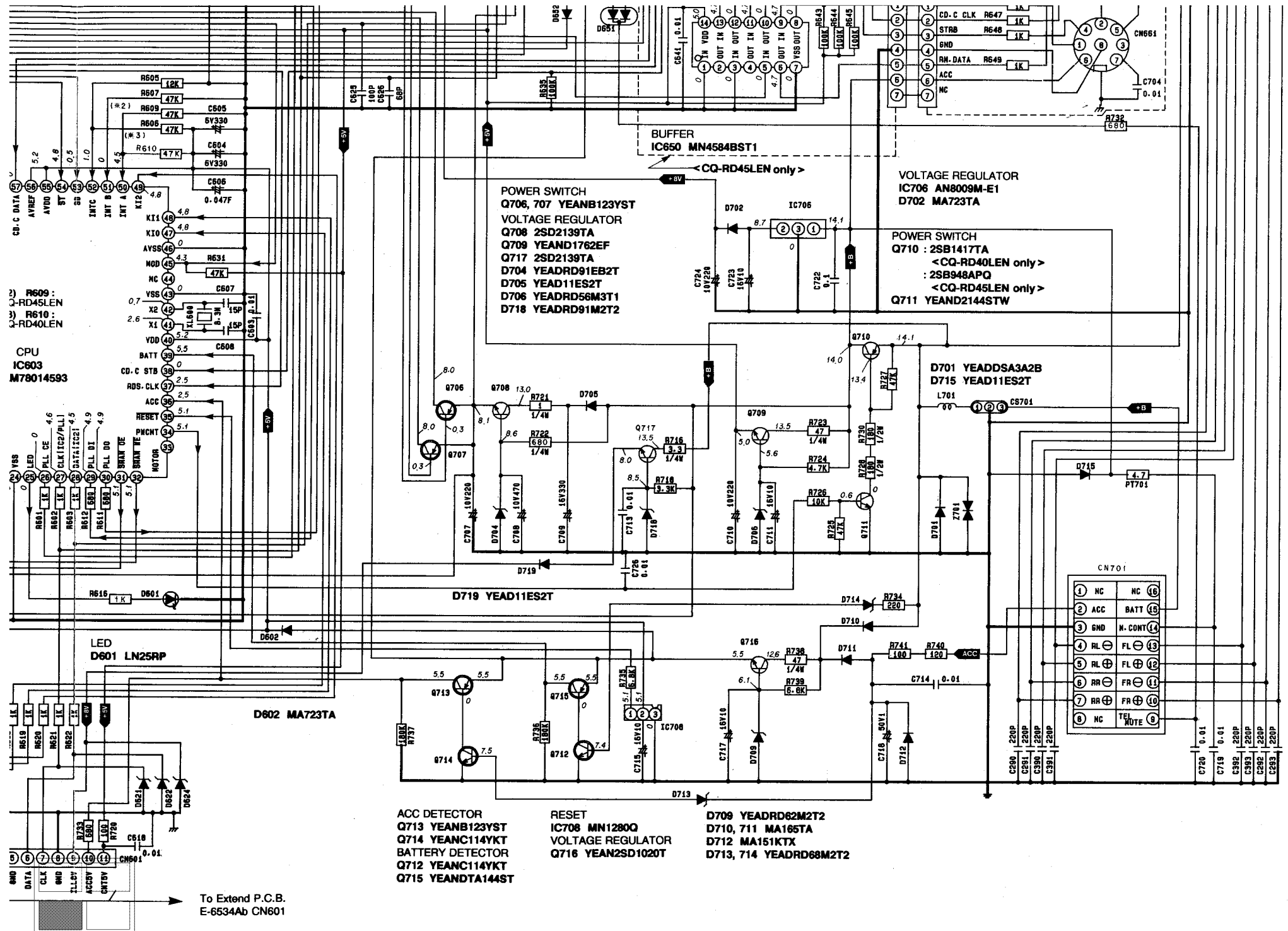
(*) R609 :
 CQ-RD45LEN
 (*) R610 :
 CQ-RD40LEN

CPU
IC603
YEAM78014593

S-RAM
IC601 YEAM3517ML15
D621~623 MA8056LMHTX
D624 MA8091LMHTX

LED
D601 LN25





Removable Face High-Power Cassette / RDS Receiver