

CONTENTS

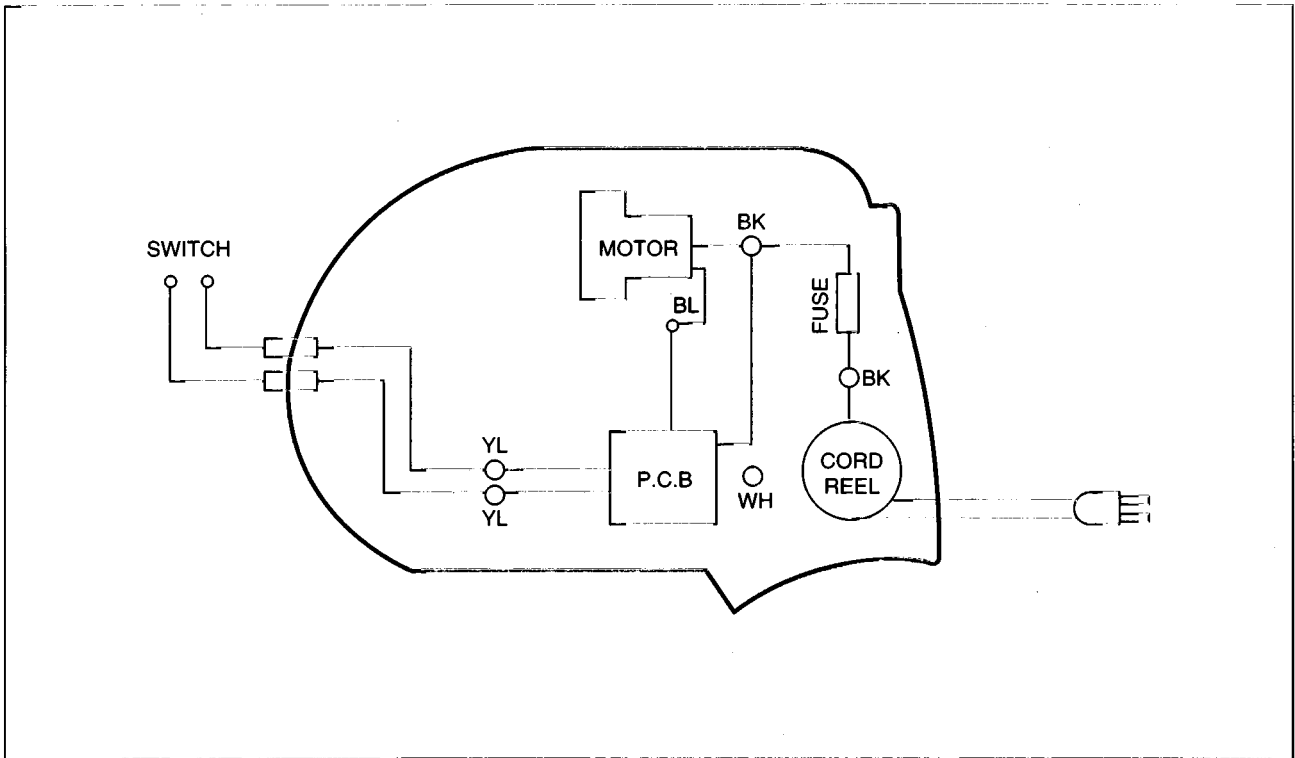
1. SPECIFICATIONS	3
2. DIAGRAM	4
1) WIRING DIAGRAM	4
2) CIRCUIT DIAGRAM	4
3. EXPLODED VIEW AND PARTS LIST	5
1) TOTAL ASSEMBLY	5
2) BODY ASSEMBLY	7
3) COVER ASSEMBLY	9
4) CORD REEL ASSEMBLY	11
5) MOTOR ASSEMBLY	13
6) DUST METER ASSEMBLY	14
7) HOSE LINE ASSEMBLY	15
8) BRUSH ASSEMBLY	17
9) PIPE ASSEMBLY	19
10) BRUSH MULTI ASSEMBLY	20

1. SPECIFICATIONS

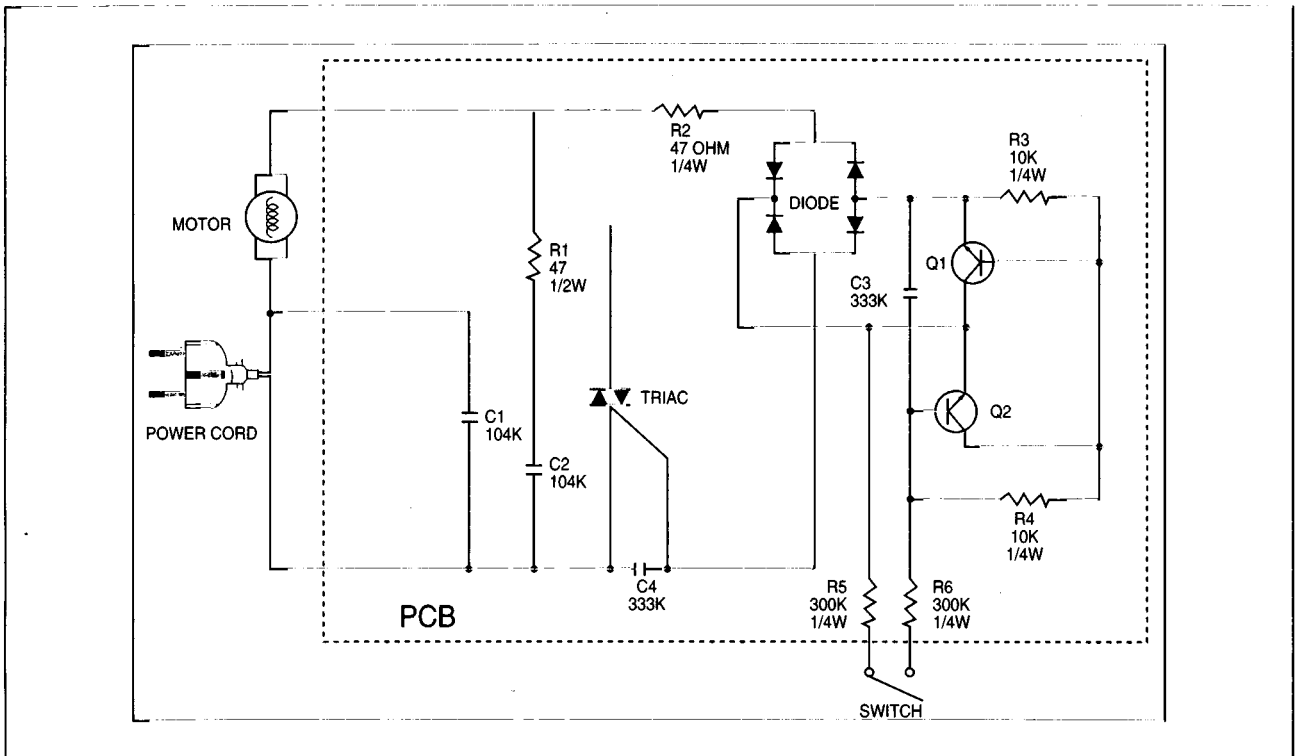
RATED VOLTAGE AND RATED FREQUENCY		AC 110V, 60HZ
RATED INPUT		670W
AIR WATT		190W
DEGREE OF VACUUM		2500 mmAq
AIR FLOW		1.1m ² / min
NOISE		70dB
DIMENSION (L×H×W)		356×221×246 mm
POWER CORD		RETRACTABLE 5m
SUCTION CONTROL		ON/OFF SWITCH
DUST METER		MECHANICAL
PARTS KEEPING		STAND KEEPING
DUST BAG CAPACITY		2.2 Liter
POWER SWITCH		ON/OFF HOSE HANDLE
FUSE RATING		AC 250V, 10A
WEIGHT	NET	4.9Kg
	GROSS	6.2Kg
FILTER	DUST CAVITY	2-LAYER PAPER BAG NON-WOVEN FABRIC MAT
	MOTOR CAVITY	NON-WOVEN FABRIC MAT
HOSE		CURRENT 1.3M
EXTENSION PIPE		PLASTIC 2 EA
BRUSH		NORMAL
SPARE PAPER BAG		2EA

2. DIAGRAM

1) WIRING DIAGRAM

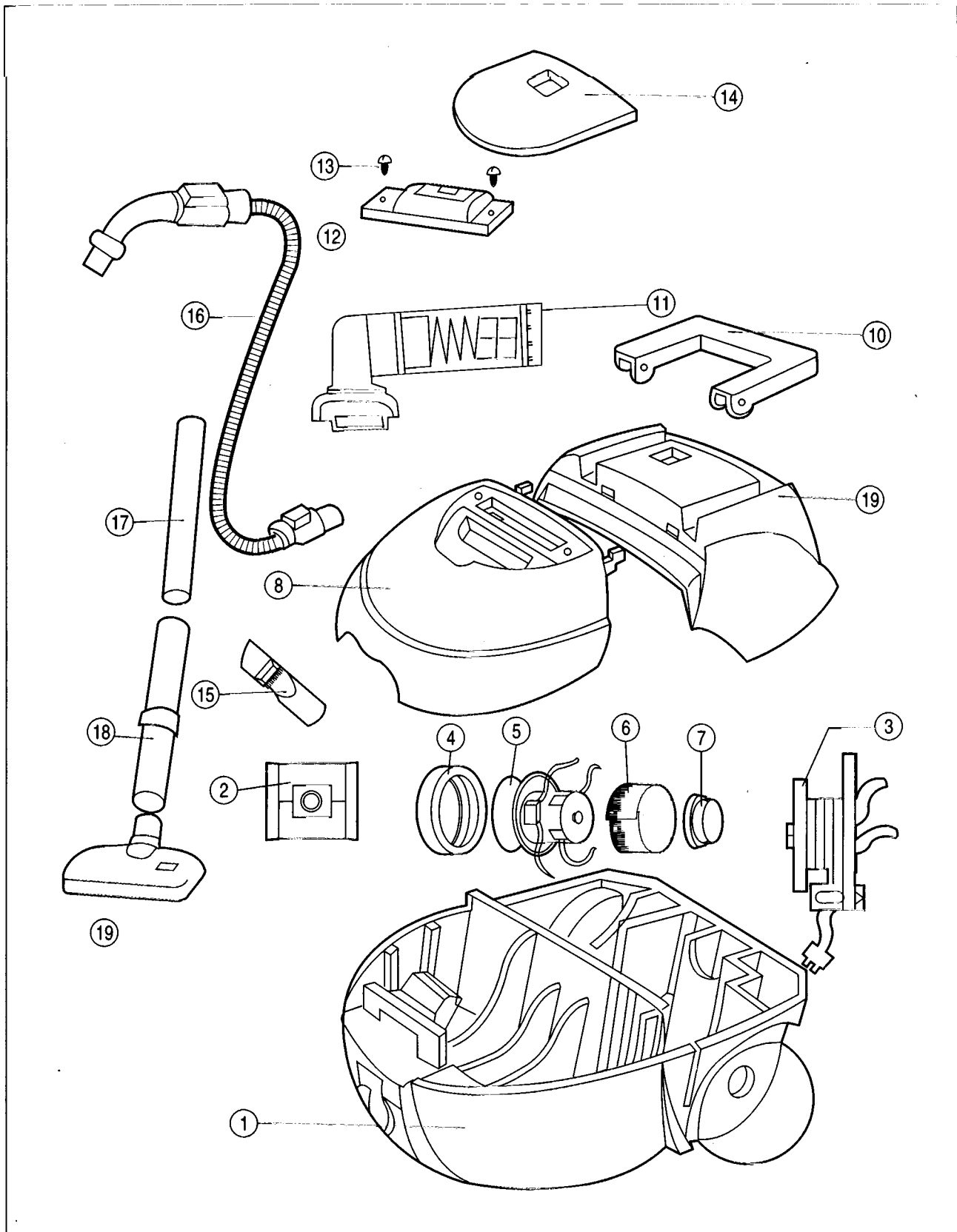


2) CIRCUIT DIAGRAM



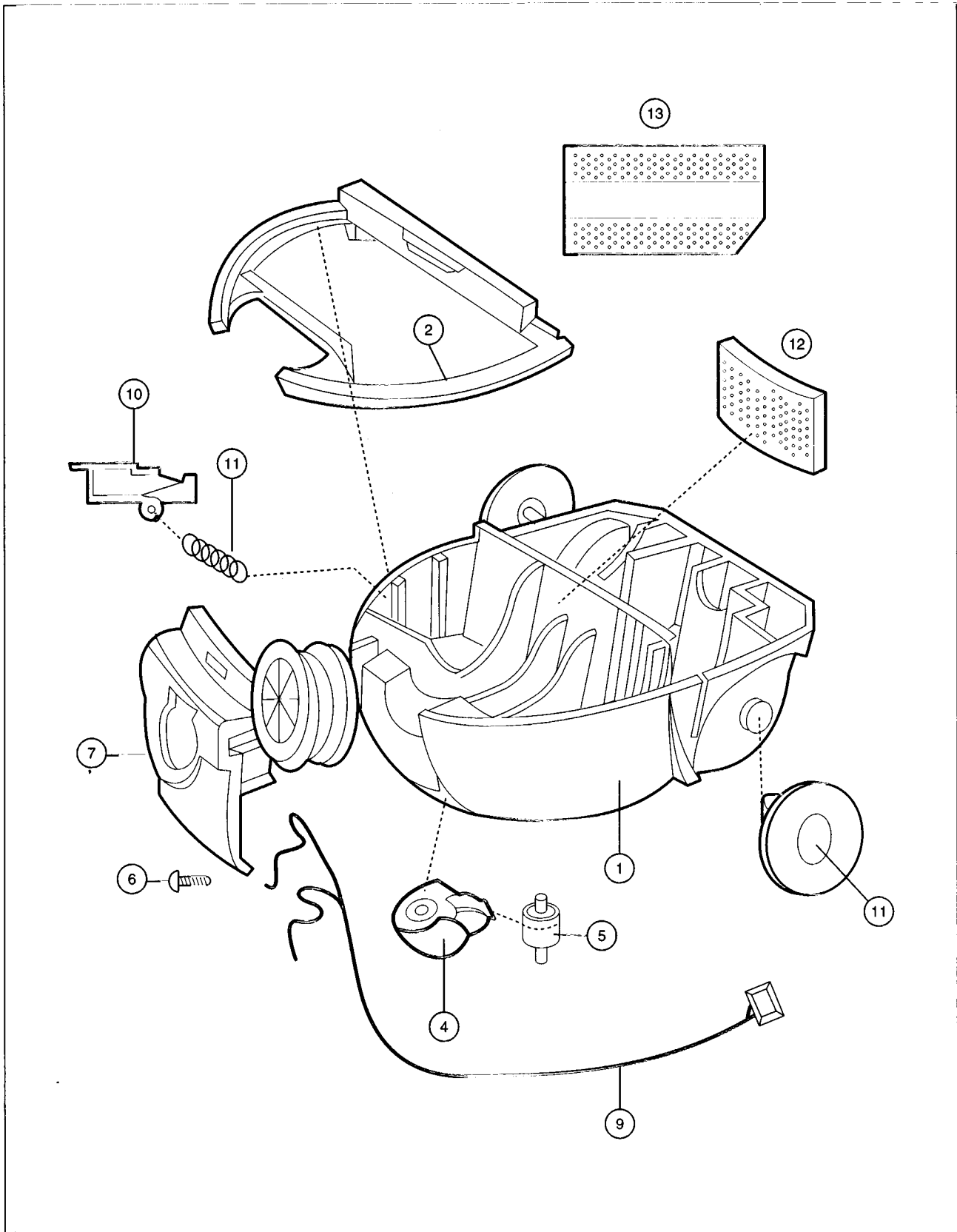
3. EXPLODED VIEW AND PARTS LIST

1) TOTAL ASSEMBLY



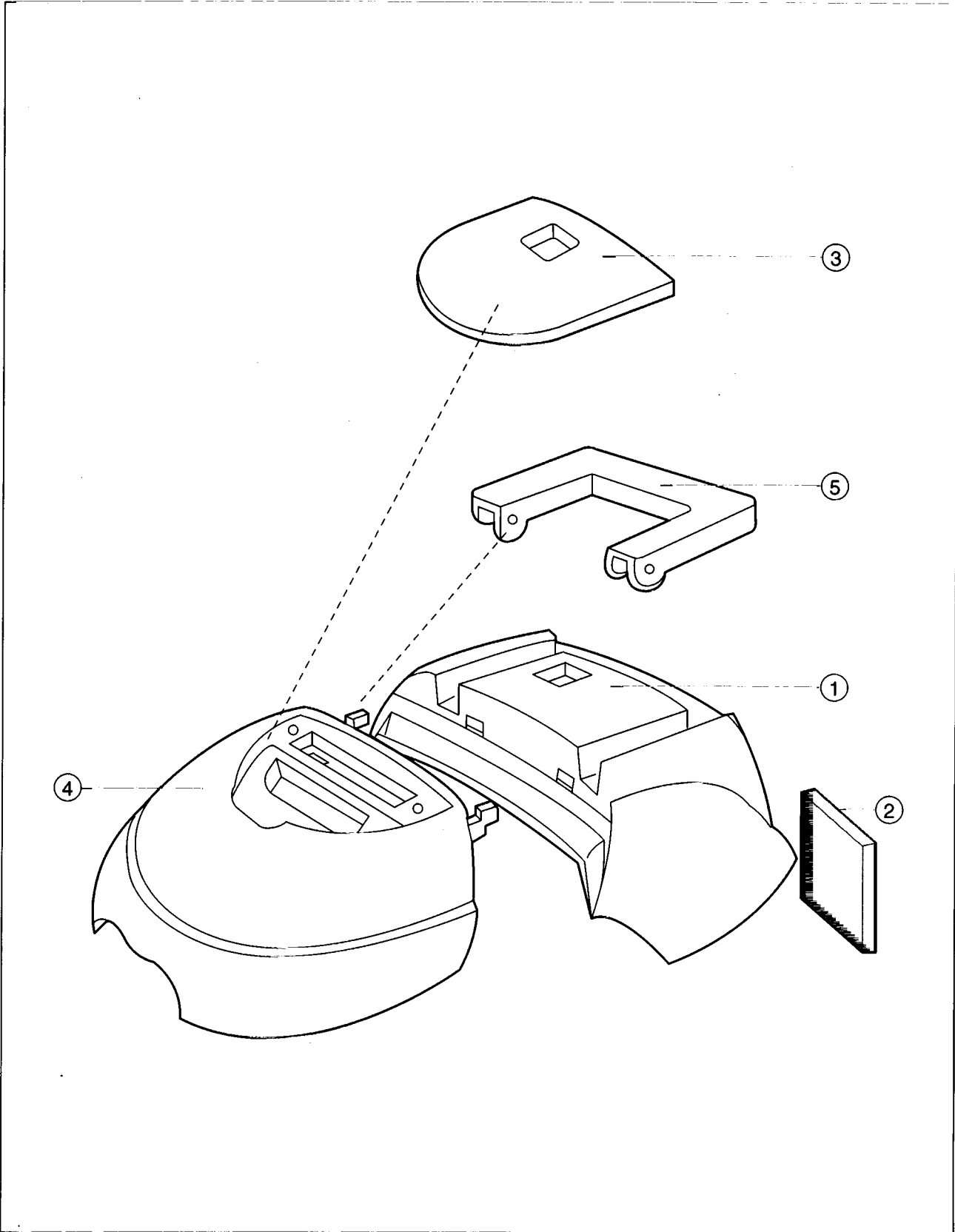
NO	PART CODE	PART NAME	SPECS.	QTY	REMARK
1	PRBDSWF200	BODY AS	ASSEMBLY	1	
2	3621900900	FILTER BAG	2-LAYER	1	
3	3629500950	CORD REEL AS	ASSEMBLY	1	
4	4560M20101	CAP MOTOR *FRONT	NR (DMI)	1	
5	3962230210	MOTOR VC	110V 670W DMI CO. LTD.	1	
6	4568A20062	ABSORBER MOTOR	PU-FOAM NON-COMB.	1	
7	3620900605	CAP MOTOR *BACK	NR (DMI)	1	
8	3621406700	COVER DUST AS	ASSEMBLY	1	
9	3621406600	COVER BODY AS	ASSEMBLY	1	
10	3622600300	HANDLE	ABS	1	
11	4560F23000	DUST METER AS	ASSEMBLY	1	
12	4560F30040	COVER DM	ABS	1	
13	7121301011	SCREW	T2S PAN 3X10 MFZN	2	
14	3621406500	COVER NOZZLE	ABS	1	
15	4560A67000	BRUSH MULTI AS	ASSEMBLY	1	
16	3623202400	HOSE LINE AS	ASSEMBLY	1	
17	4560F75030	PIPE I	ABS	1	
18	3624403000	PIPE II	ASSEMBLY	1	
19	3629302500	BRUSH AS	ASSEMBLY	1	

2) BODY ASSEMBLY



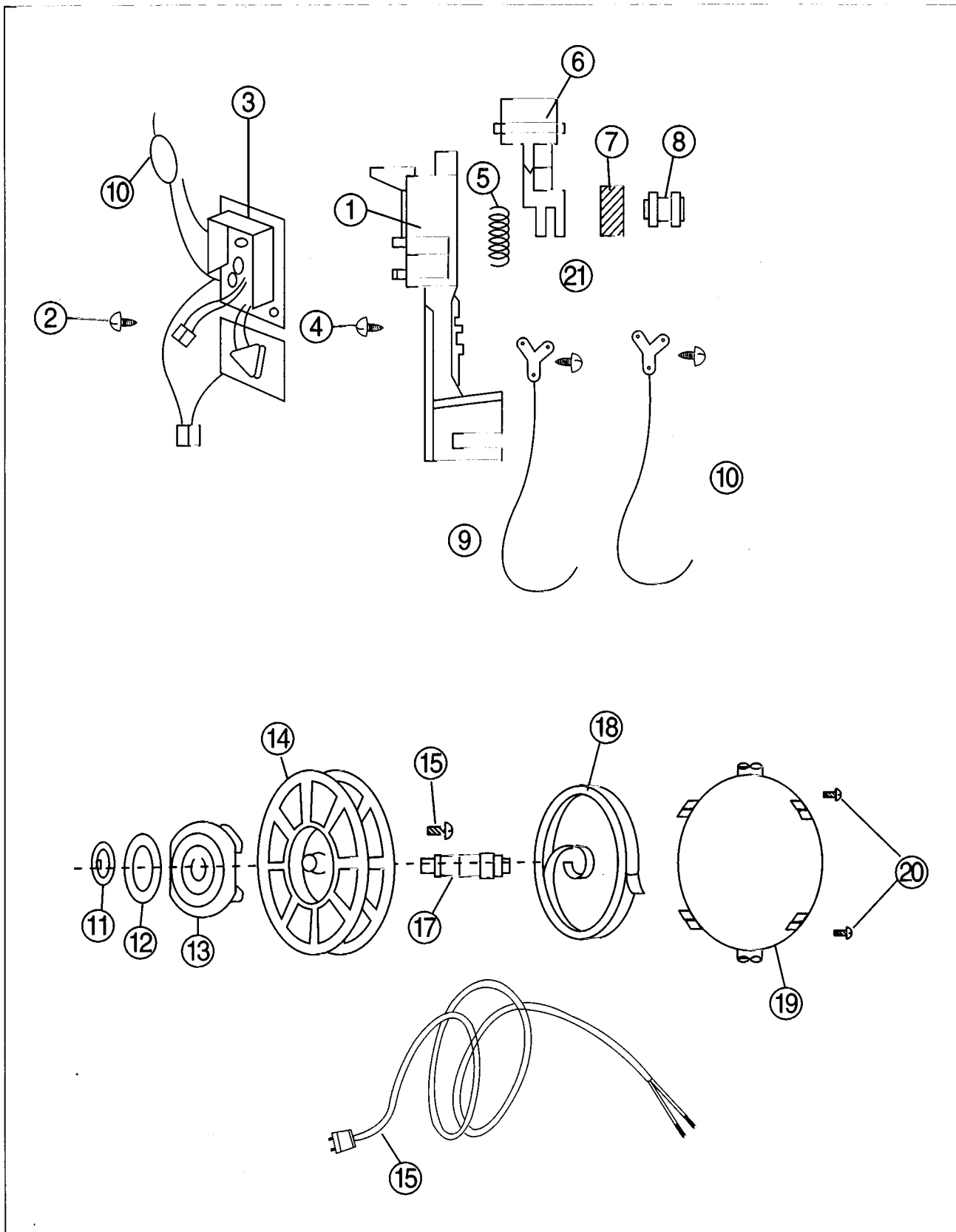
NO	PART CODE	PART NAME	SPECS.	Q' TY	REMARK
1	4560F20010	BODY	ABS	1	
2	4560F20060	D/C GASKET	S-PVC	1	
3	4560F20020	BACK CASTER	PP JI-360	1	
4	4569C20041	FC. BRACKET	PP	1	
5	4568A54020	FRONT CASTER	PP	1	
6	7121301012	SCREW	T2S PAN 3X10 MFZN	1	BK
7	4560F20030	ADAPTER	ABS	1	
8	4560F20040	ADAPTER CAP	NR	1	
9	3622703802	HARNESS	CD TERMINAL+WIRE	1	
10	4560F25010	PB HOLDER	ABS	1	
11	4560F20080	PB HOLDER SPRING	HSW3	1	
12	4560F20090	INHALATION FILTER	NON-WOVEN FABRIC	1	

3) COVER ASSEMBLY



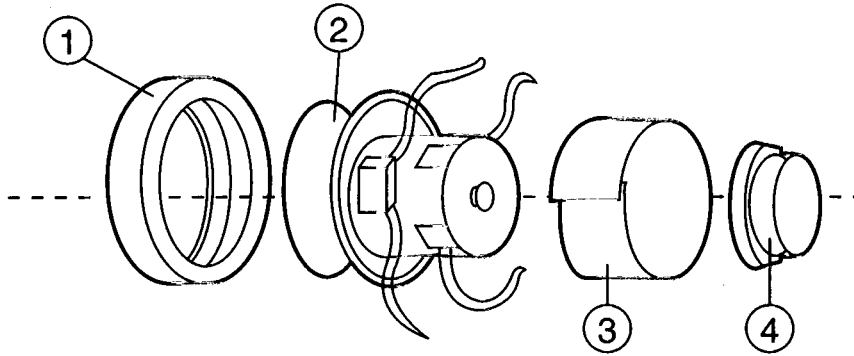
NO	PART CODE	PART NAME	SPECS.	Q' TY	REMARK
1	3621406400	COVER BODY	ABS	1	
2	3621901500	FILTER EXHAUST	NON WOVEN FABRIC	1	
3	3621406500	COVER NOZZLE	ABS	1	
4	3621406300	COVER DUST	ABS	1	
5	3622600300	HANDLE	ABS	1	

4) CORD REEL ASSEMBLY : 3629500950



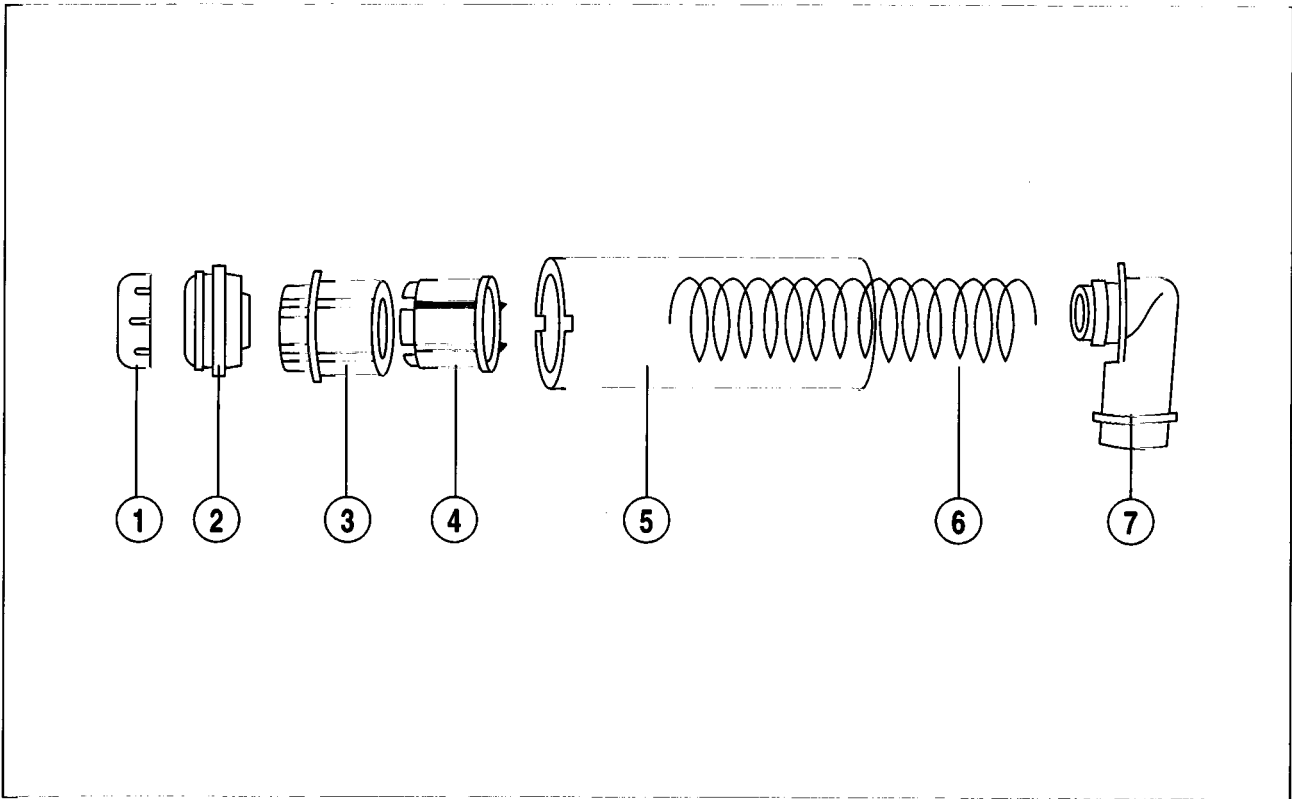
NO	PART CODE	PART NAME	SPECS.	QTY	REMARK
1	4560F35010	BRACKET	ABS	1	
2	7121401211	SCREW	T2S PAN 4X12 MFZN	1	
3	3624303700	PCB ASS'Y	ON/OFF RC-205	1	
4	7121401211	SCREW	T2S PAN 4X12 MFZN	2	
5	4560F35030	SPRING	HSW3	1	
6	3626601500	BUTTON	ABS	1	
7	4567C35080	STOPPER TIRE	NBR	1	
8	4565A35070	FRAME STOPPER	POLY ACETAL	1	
9	3622703200	HARNESS	Y TERMINAL+LEAD	1	
10	4560F42000	YA TERMINAL AS	Y TER.+LEAD+FUSE AS(250V 10A)	1	
11	4565A36024	OA TERMINAL	C2600P-1/2H TO.3	1	
12	4565A36034	OB TERMINAL	C2600P-1/2H TO.3	1	
13	4565A36010	TERMINAL SUPPORTER	ABS	1	
14	4569C35010	BOBBIN	ABS	1	
15	4560F38020	POWER CORD	AC 125V/12A T-MARK	1	
16	7121401211	SCREW	T2S PAN 4X12 MFZN	1	
17	4569C35050	SHAFT	ABS	1	
18	3625102000	SPRING AS	SUS301-EH+COVER	1	ASSEMBLY
19	4565A35041	R/SPRING COVER	SPGC	0	
20	7121300811	SCREW	T2S PAN 3X8 MFZN	1	
21	3623701000	LEVER	ABS	1	

5) MOTOR ASSEMBLY



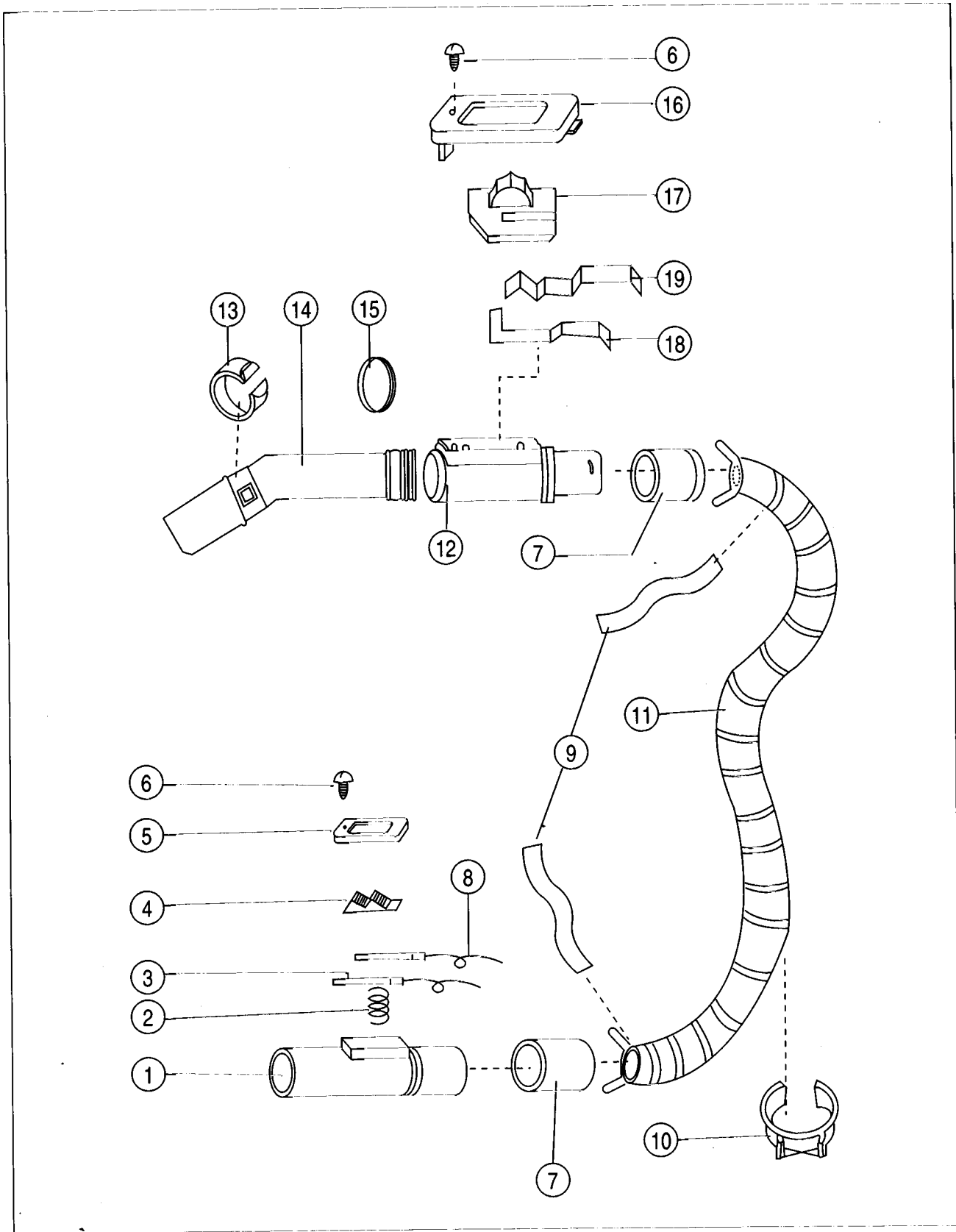
NO	PART CODE	PART NAME	SPECS.	Q' TY	REMARK
1	4568A20072	MOTOR FRONT CAP	NR FORM	1	OH SUNG CO.
	4560M20101		NR		DMI CO.
2	4568G80006	MOTOR ASS'Y	110V 670W	1	OH SUNG CO.
	3962230210				CMI CO.
3	4568A20062	ABSORBER MOTOR	PU FOAM	1	
4	4560K20080	MOTOR BACK CAP	NR	1	O/S
	3620900605		NR		DMI

6) DUST METER ASSEMBLY



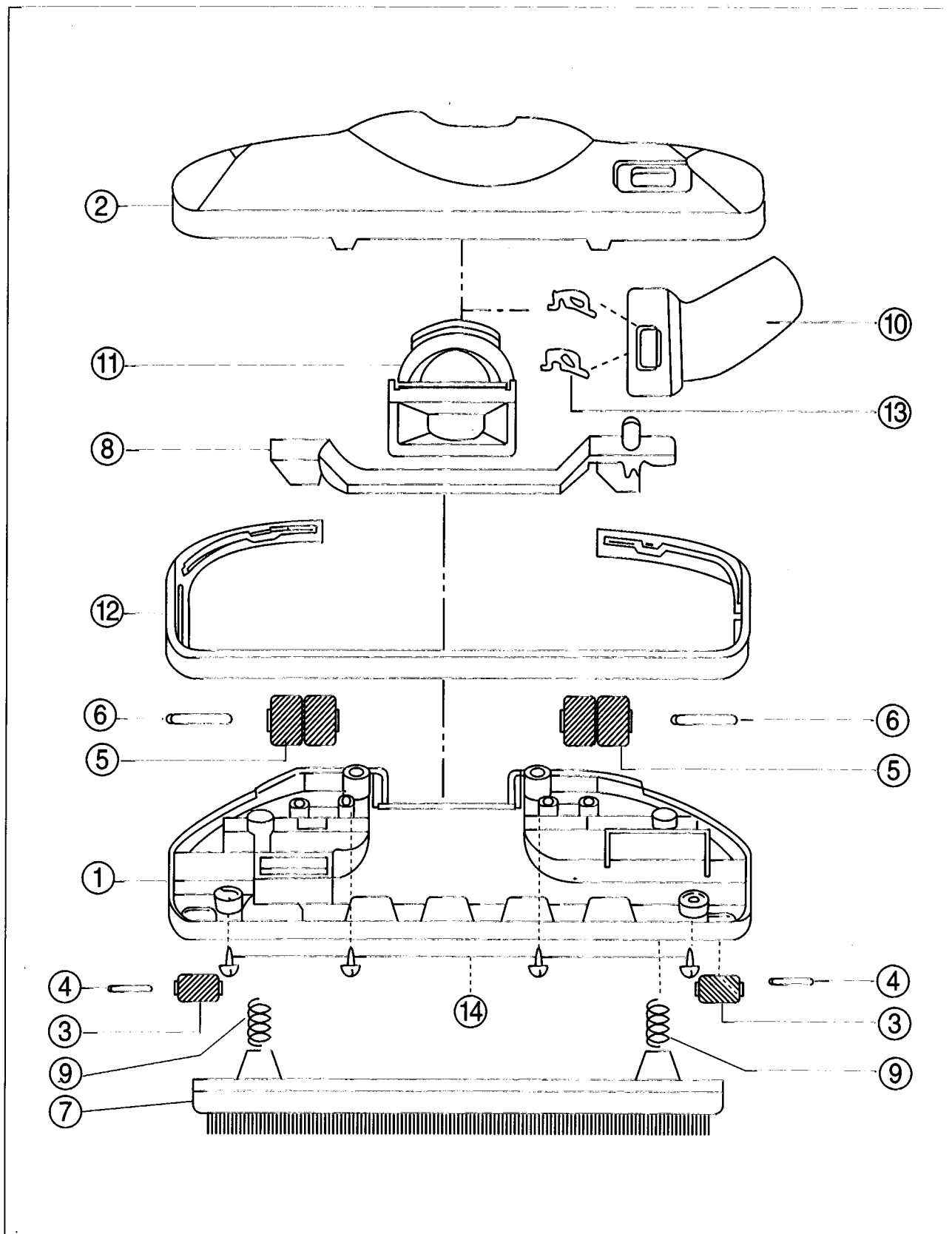
NO	PART CODE	PART NAME	SPECS.	Q' TY	REMARK
1	4560F23070	VALVE DM	LDPE	1	
2	4560F23040	PACKING DM	PVC	1	
3	4560F23030	DM-R	ABS	1	
4	4560F23060	DUST METER	ABS	1	
5	4560F23010	HOUSING DM	MS-2000	1	
6	4560F23020	SPRING	SUS 304	1	
7	4560F23050	ELBOW DM	PVC	1	

7) HOSE LINE ASSEMBLY



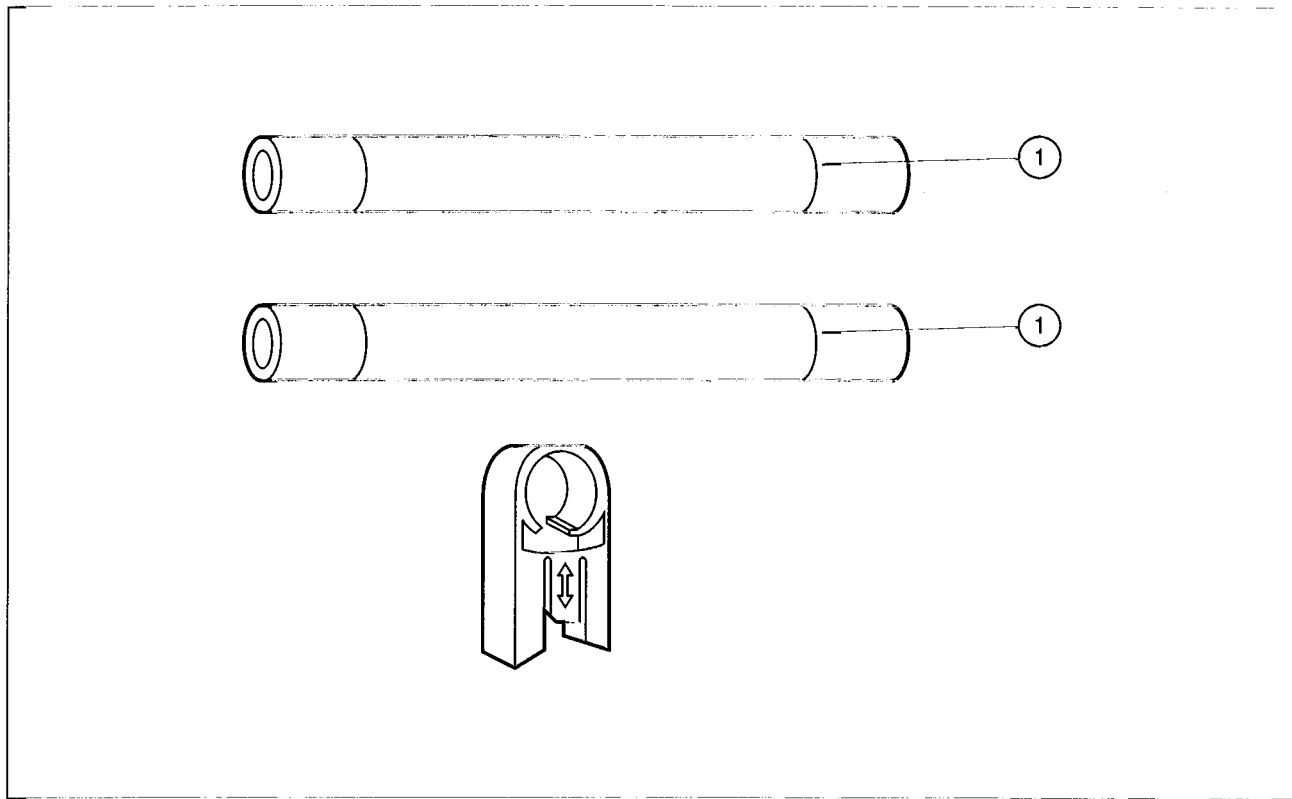
NO	PART CODE	PART NAME	SPECS.	Q' TY	REMARK
1	4565A70010	ADAPTER HOSE	ABS	1	
2	4565A70050	SPRING	HSW3	1	
3	4568A70020	PIN TERMINAL	C2800W-H	2	
4	4565A70060	BUTTON ADAPTER	ABS	1	
5	4565A70070	COVER	ABS	1	
6	7121300811	SCREW TAPPING	T2S PAN 3X8	2	
7	4565A70040	COVER HOSE	PP	2	
8	4565A70030	WIRE CONNECTION	HARNESS	0.15	
9	2TV00019BK	TAPE VINYL	UL/CSA W19MM BLACK	0.30	
10	4560F77000	HOOK	PP	1	
11	4565A710001	HOSE	PVC-S/SWRS 1.32M	1	
12	4560K70080	FRAME SWITCH	ABS	1	
13	4560F70150	RING AIR ADJUSTMENT	PP	1	
14	4560F70131	PIPE HOSE	PP	1	
15	3626900105	RING SEAL	ABR	1	
16	4565A70120	COVER SWITCH	ABS	1	
17	4565A70080	KNOB	NYLON 66	1	
18	4565A70093	TERMINAL	C5210P-EH TO.2	1	
19	4565A70102	TERMINAL	C5210P-EH TO.2	1	

8) BRUSH ASSEMBLY



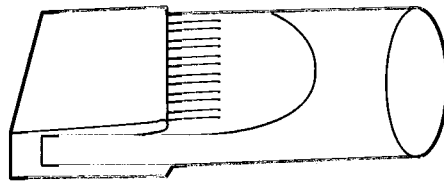
NO	PART CODE	PART NAME	SPECS.	Q' TY	REMARK
1	4560F90010	BODY BRUSH	ABS	1	
2	4560F90080	COVER BRUSH	ABS	1	
3	4560F90020	ROLLER BRUSH	PP	2	
4	4560F90110	PIN ROLLER	SWRM	2	
5	4560F90090	ROLLER BRUSH	PP	2	
6	4560F90120	PIN ROLLER	SWRM	2	
7	4568B91001	HOLDER BRUSH AS	ASSY	1	
8	4560F90040	LEVER BRUSH	ABS	1	
9	4568B90050	SPRING	HSW3	2	
10	4560F90060	PIPE BRUSH	ABS	1	
11	4560F90070	NECK	ABS	1	
12	4560F90030	GASKET BRUSH	PVC-S	1	
13	323100100	HOOK	POLY AMIDES	2	
14	7121401411	SCREW TAPPING	T2S PAN 4X14	4	

9) PIPE ASSEMBLY



NO	PART CODE	PART NAME	SPECS.	Q' TY	REMARK
1	4560F75030	PIPE	ABS	2	
2	4560F76000	HOLDER PIPE	ACETAL	1	

10) BRUSH MULTI ASSEMBLY



NO	PART CODE	PART NAME	SPECS.	Q' TY	REMARK
1	4560A67121	BRUSH MULTI AS	PP+NYLON	1	

MEMO

[Empty memo body with a large rectangular border]

