

DAEWOO

Service Manual

Vacuum Cleaner

Model: RC-415



DAEWOO ELECTRONICS CO., LTD.

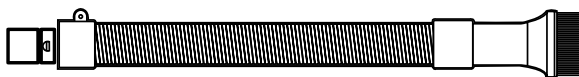
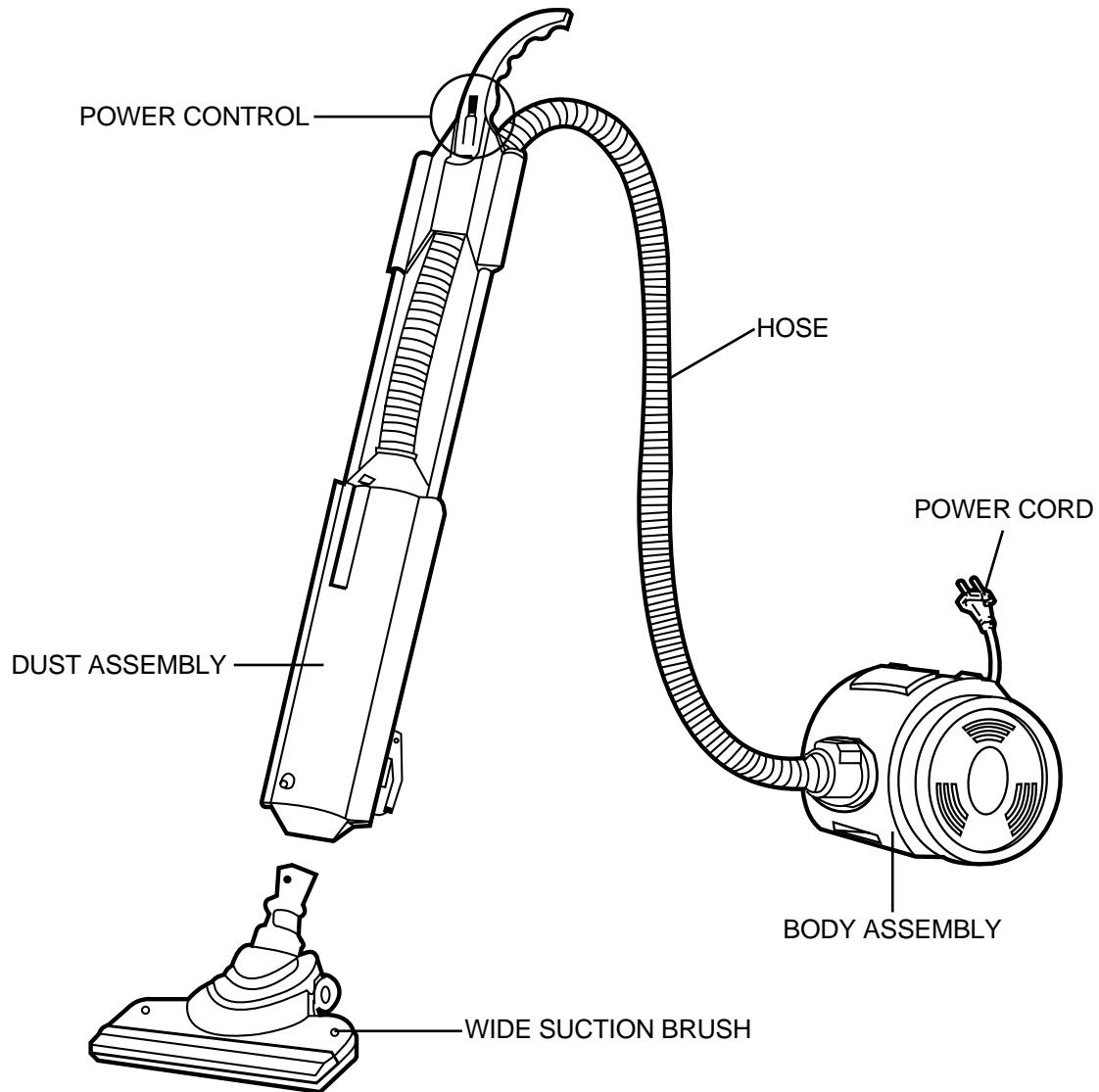
CONTENTS

1. SPECIFICATIONS	1
2. DESCRIPTIONS	2
3. DIAGRAM	3
4. CAUSE OF TROUBLE AND COUNTERMEASURE	4
5. DISASSEMBLING AND TREATMENT	6
6. EXPLODED VIEW AND PARTS LIST	11

1. SPECIFICATIONS

Rated Voltage/Frequency		AC 100V/50~60Hz AC 110V/60Hz AC 120V/60Hz AC 220V/50Hz AC 220V/60Hz AC 230V/50Hz AC 240V/50Hz
Rated Input		1030W
Dimension	Body Assembly	210 x 220 x 258 mm (W x H x D)
	Dust Assembly	144 x 740 x 135 mm (W x H x D)
Weight		6.6Kg
Cord Length		6m
Power Control		Electronic, Variable
Dust Meter		Mechanical
Nozzle		Wide Suction Brush Dusting Brush Crevice Nozzle

2. DESCRIPTION



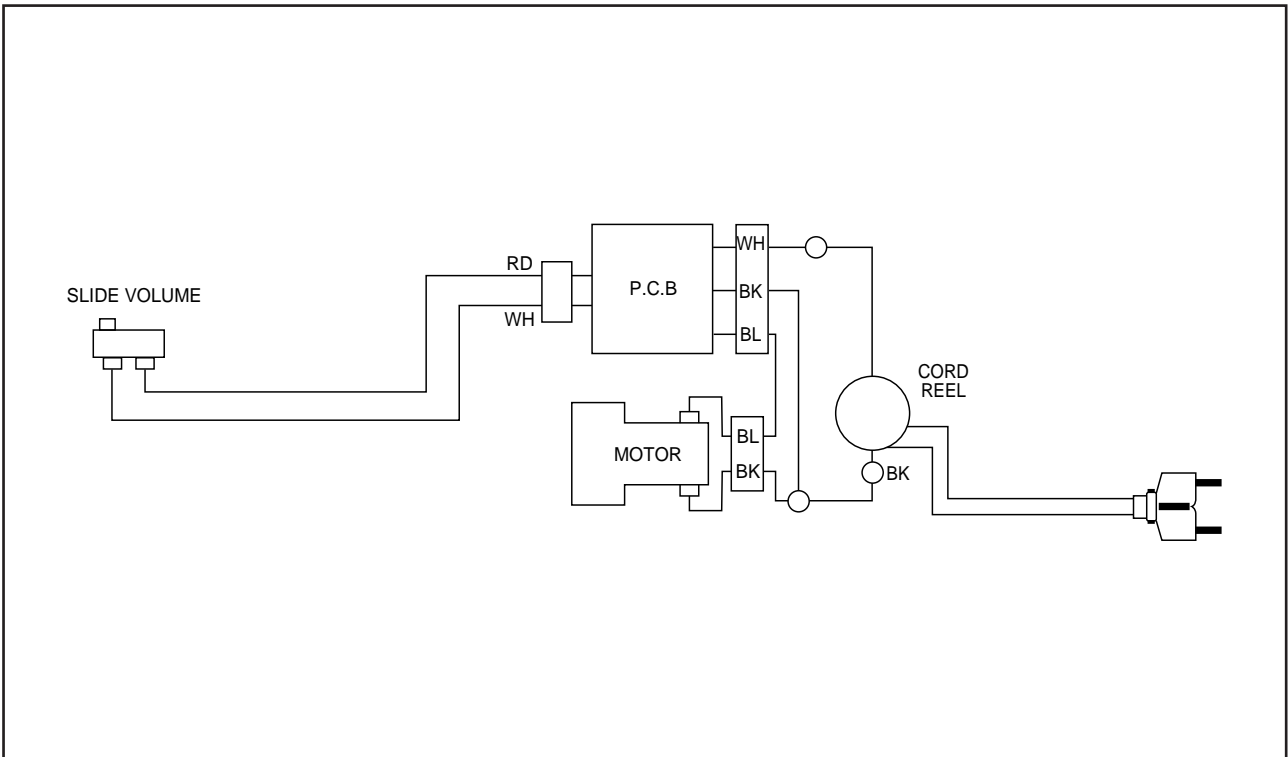
DUSTING BRUSH



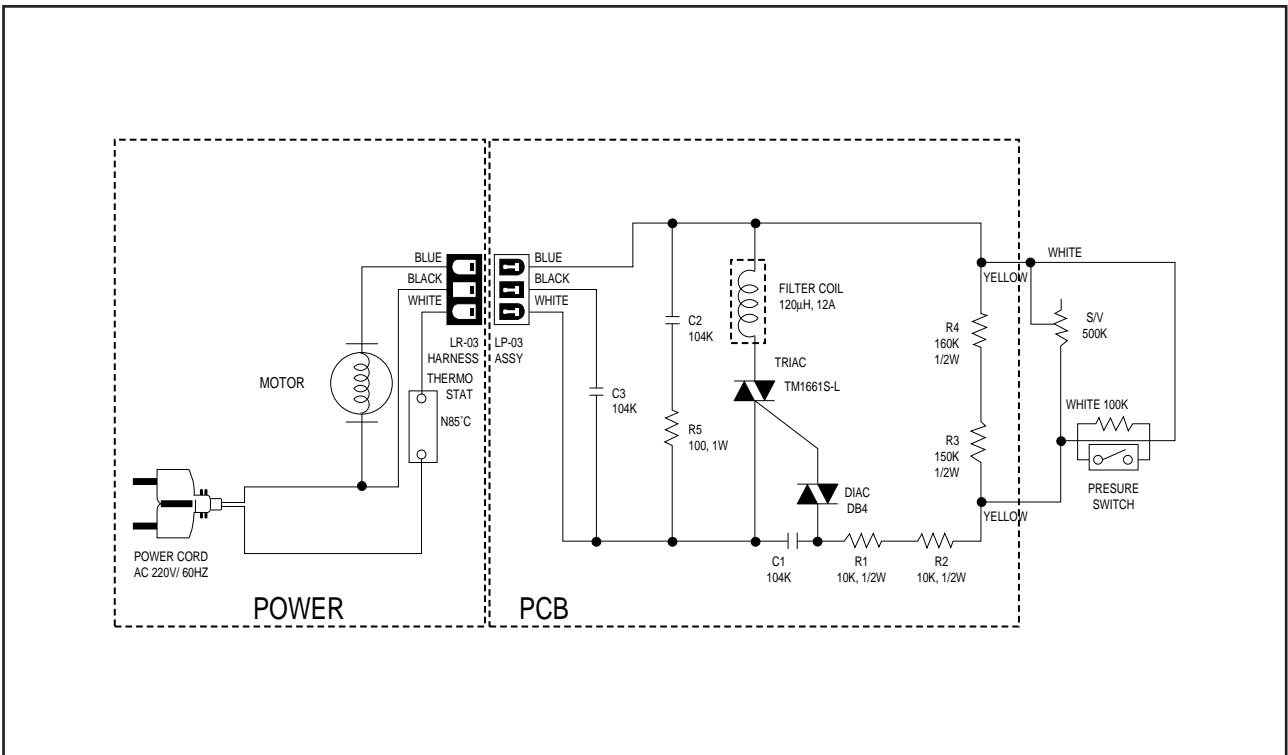
CREVICE NOZZLE

3. DIAGRAM

1. WIRING DIAGRAM



2. CIRCUIT DIAGRAM



4. CAUSE OF TROUBLE AND COUNTERMEASURE

TROUBLE	CAUSE	COUNTERMEASURE
SUCTION POWER IS WEAK	FILTER BAG (PAPER OR CLOTH) IS FULL WITH DUST	CHANGE IT WITH NEW ONE
	CLOGGING OR TEAR IN HOSE	REMOVE OBSTACLE OR REPLACE THE HOSE
	DEFECTIVE MOTOR	REPLACE THE MOTOR (SEE 6-1)
CLEANER DOES NOT WORK	BREAKING IN POWER CORD (AT BLADE TIP OR ROOT OF PLUG)	REPLACE THE POWER CORD (SEE 5-2)
	BREAKING OF CONNECTIONS IN HOSE ASSEMBLY (805H)	REPAIR (SEE 5-3)
	DEFECTIVE SLIDE VOLUME LOCATED IN HOSE HANDLE (805H)	REPLACE IT (SEE 5-4)
	DEFECTIVE PCB ASSEMBLY (805, 805B, 805H)	REPLACE IT (SEE 6-1)
	BREAKING OF CONNECTIONS OR POOR CONTACTS IN CORD REEL ASSEMBLY	REPAIR (SEE 5-2)
	DEFECTIVE MOTOR	REPLACE IT (SEE 6-1)
	BREAKING OF CONNECTIONS IN BODY ASSEMBLY	REPAIR

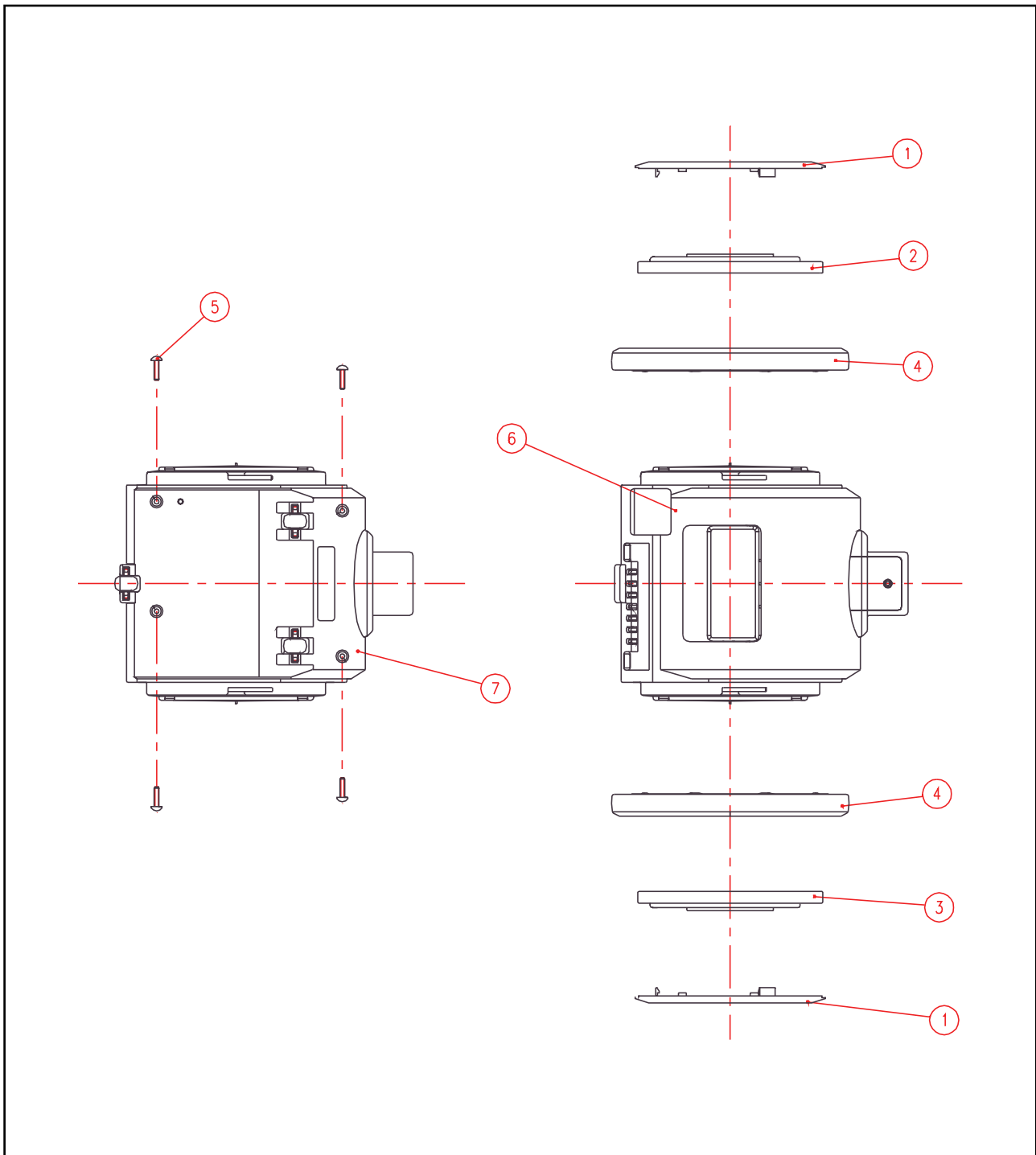
TROUBLE	CAUSE	COUNTERMEASURE
POWER CORD IS NOT WOUND UP	BROKEN REEL SPRING OF CORD REEL	REPLACE IT (SEE 5-2)
	POWER CORD BROKE AWAY FROM THE BOBBIN	REPAIR (SEE 5-2)

• CAUTION - BE CAREFUL WHEN BREAKING UP THE CORD REEL. THE REEL SPRING MAY SPRING OUT OF THE SPRING COVER.

POWER CORD DOES NOT STOP AT AN ARBITRARY POSITION	ABRASION OF THE ROLLER BRAKE OF CORD REEL	REPLACE THE ROLLER BRAKE (SEE 5-2)
	LEVER SPRING BROKE AWAY FROM THE CORD REEL BRACKET	REPAIR (SEE 5-2)
HANDLE DOES NOT CONTROL	TWISTED WIRE (CURL WIRE)	REPAIR IT (SEE 5-4)
	BROKEN SPRING AS IN HANDLE ASSEMBLY	REPAIR IT (SEE 5-4)

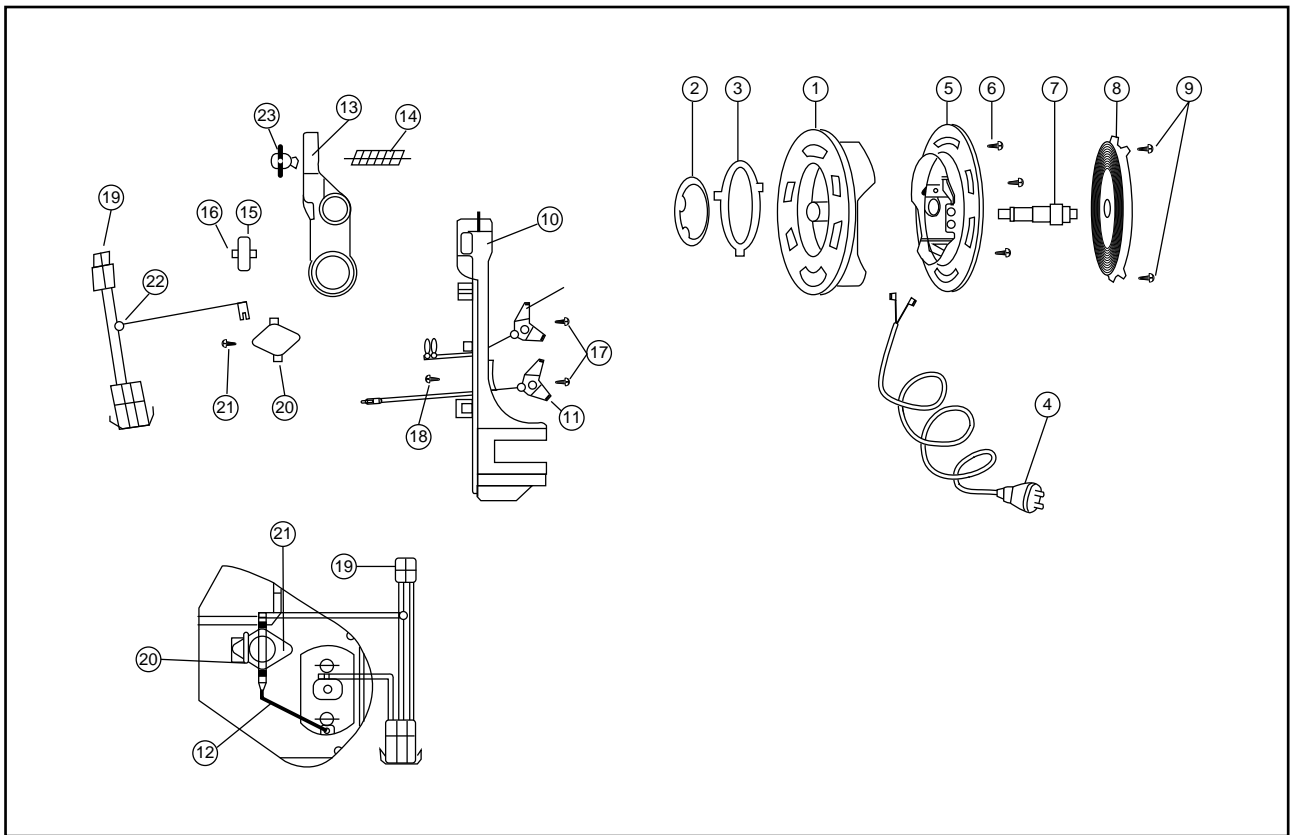
5. DISASSEMBLING AND TREATMENT

5-1. CLEANER ASSEMBLY



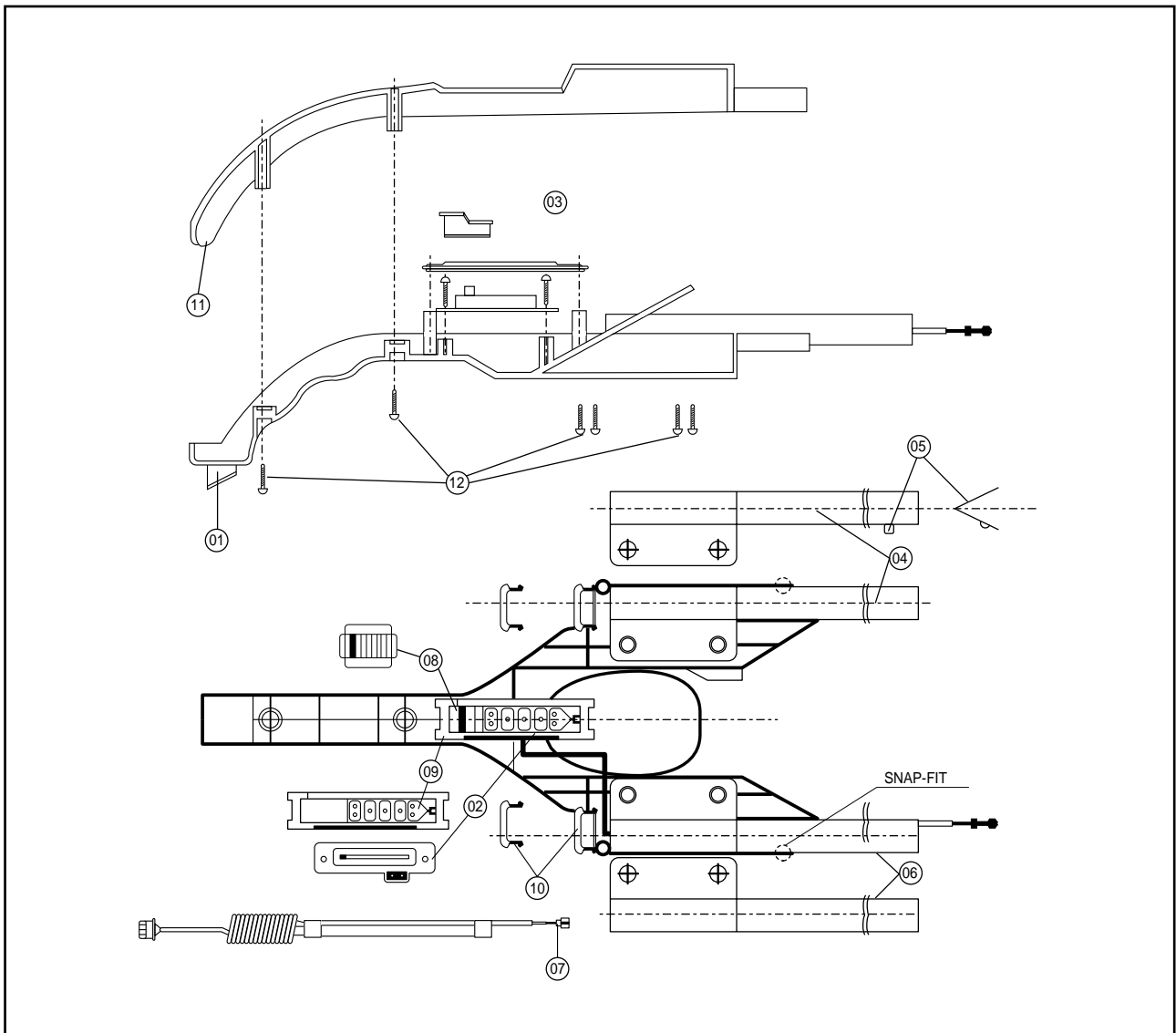
- 1) SEPARATE THE COVER ROLLER ① FROM THE BODY ASSEMBLY.
- 2) ROTATE THE FIXTURE ROLLER L ② AND THE FIXTURE ROLLER R ③. THEN SEPARATE THE FIXTURE ROLLER L ②, THE FIXTURE ROLLER R ③ AND THE ROLLER ④.
- 3) UNSCREW THE 4 SCREWS ⑥. THEN LEFT THE COVER ASSEMBLY ⑥ UP FROM THE BODY ASSEMBLY ⑦.

5-2. CORD REEL ASSEMBLY



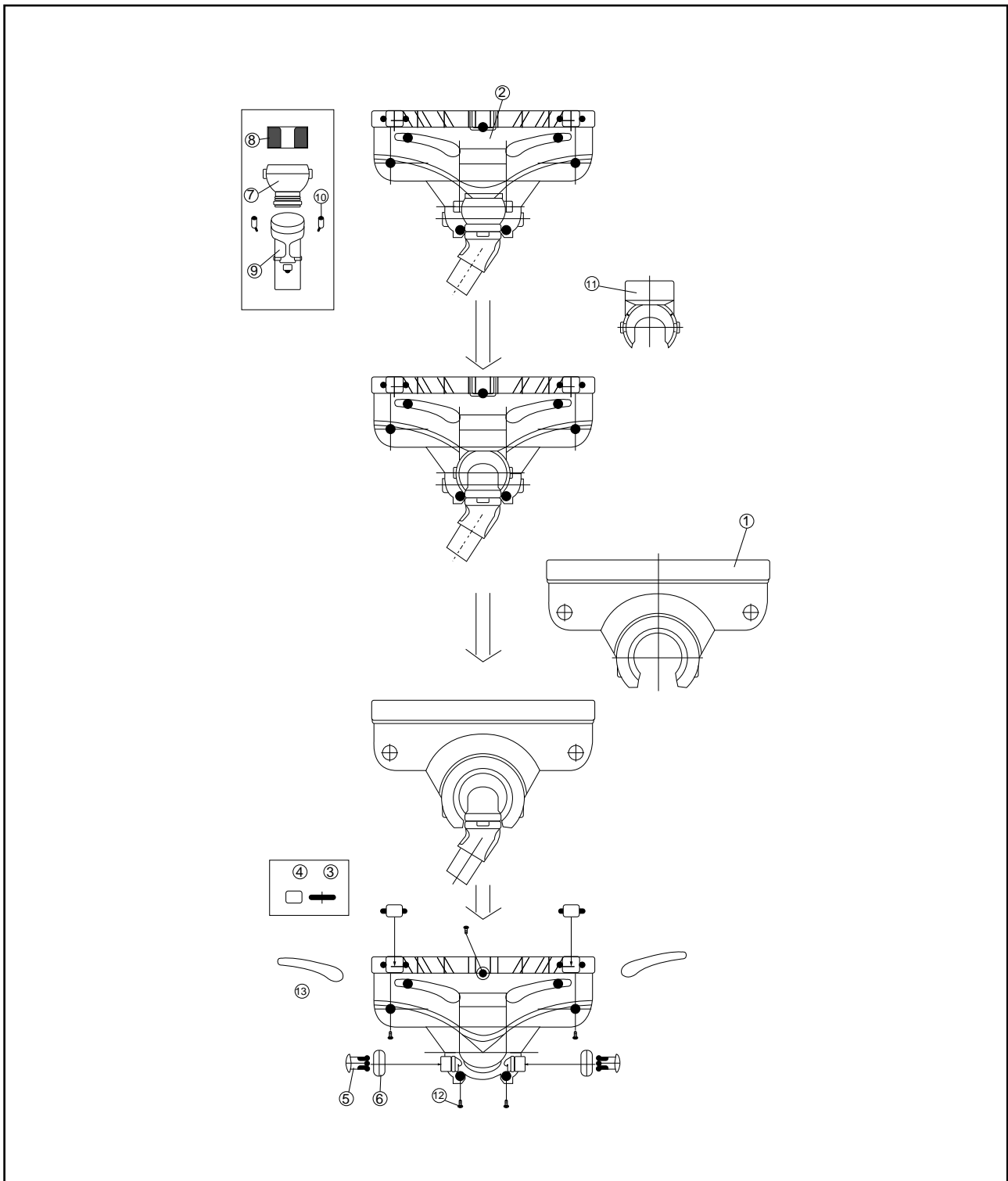
- 1) TAKE THE CORD REEL OUT OF THE BODY.
 - 2) UNSCREW THE SCREW (18) AND SEPARATE THE BOBBIN ASSEMBLY (1 + 6) FROM THE BRACKET (10) AND CHECK THE CONTACTS BETWEEN THE Y TYPE TERMINALS (11, 12) AND THE RING TYPE TERMINALS (2, 3).
 - 3) CHECK THE LEVER SPRING (14).
 - 4) IF THE ROLLER BRAKE (16) IS WORN OUT, SEPARATE THE LEVER (19) FROM THE BRACKET (10), THEN REPLACE THE ROLLER BRAKE (16). AT THIS TIME, THE BOBBIN ASSEMBLY (1 + 6) IS ROTATED COUNTER CLOCKWISE DUE TO THE PRESERVED WINDING.
 - 5) IF THE REEL SPRING (8) IS BROKEN, UNSCREW THE 2 SCREWS (9) AND REPLACE IT.
- CAUTION : WHEN DISASSEMBLING, THE REEL SPRING MAY SPRING OUT OF THE COVER.**
- 6) UNSCREW THE 3 SCREWS (6).
 - 7) CHECK THE CONNECTIONS BETWEEN THE POWER CORD (4) AND THE RING TERMINALS (2, 3).
 - 8) WHEN ASSEMBLING, MAKE THE RESERVED WINDING 6 REVOLUTIONS OF THE BOBBIN CLOCKWISE.

5-4. HANDLE ASSEMBLY



- 1) UNSCREW THE 6 SCREWS (12) AND SEPARATE THE HANDLE UP (11) FROM THE HANDLE ASSEMBLY.
- 2) CHECK THE PCB S/V AS (2).
- 3) CHECK THE CONNECTIONS THE TERMINALS AND THE WIRES.

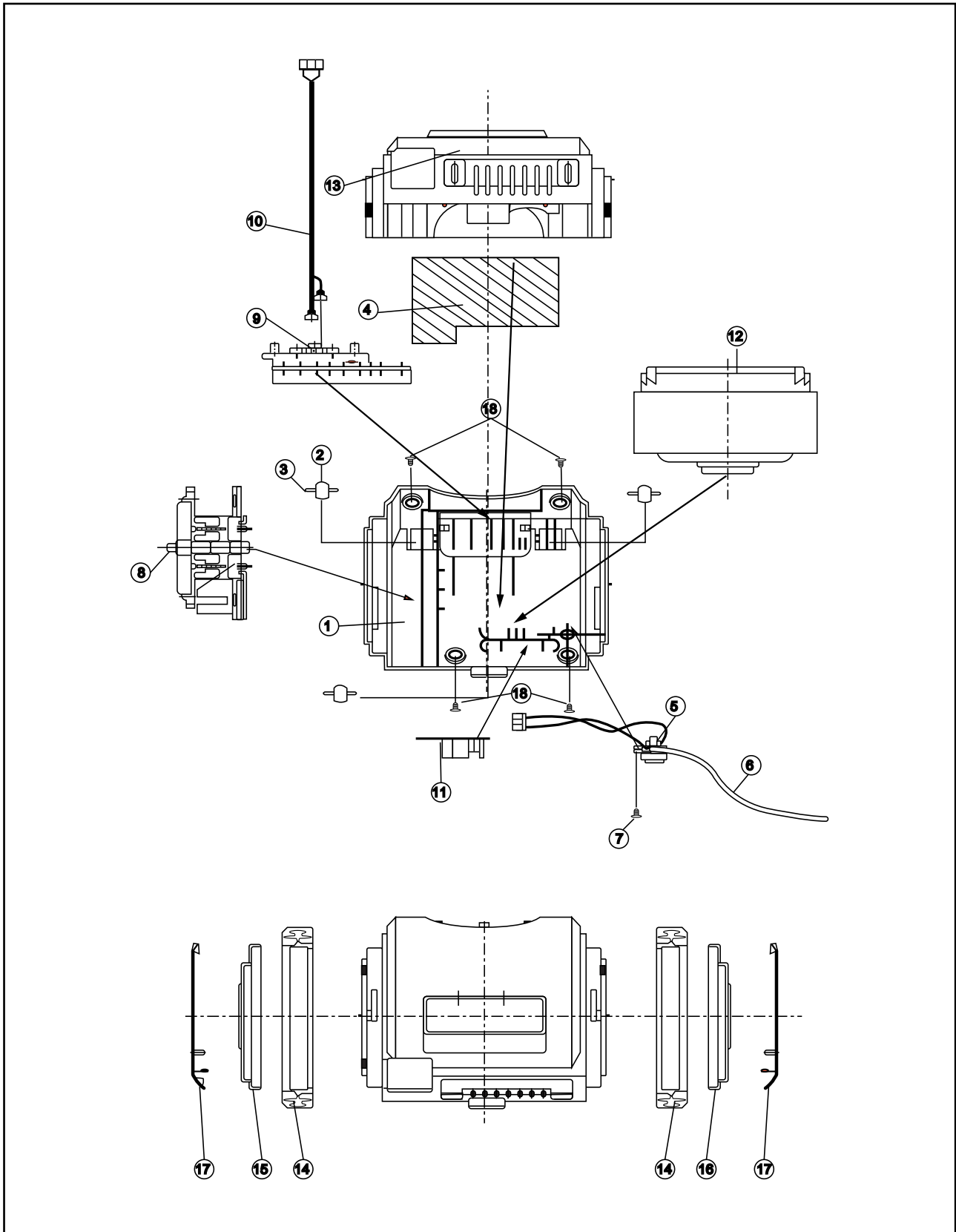
5-5. BRUSH ASSEMBLY



- 1) UNSCREW THE 5 SCREWS (12), AND SEPARATE THE COVER BURSH (1).
- 2) TO SEPARATE THE NECK BRUSH (7) FROM THE PIPE BRUSH (9), TAKE THE HOOKS (10) OUT OF THE PIPE BRUSH (9) BY USING AN AWL.

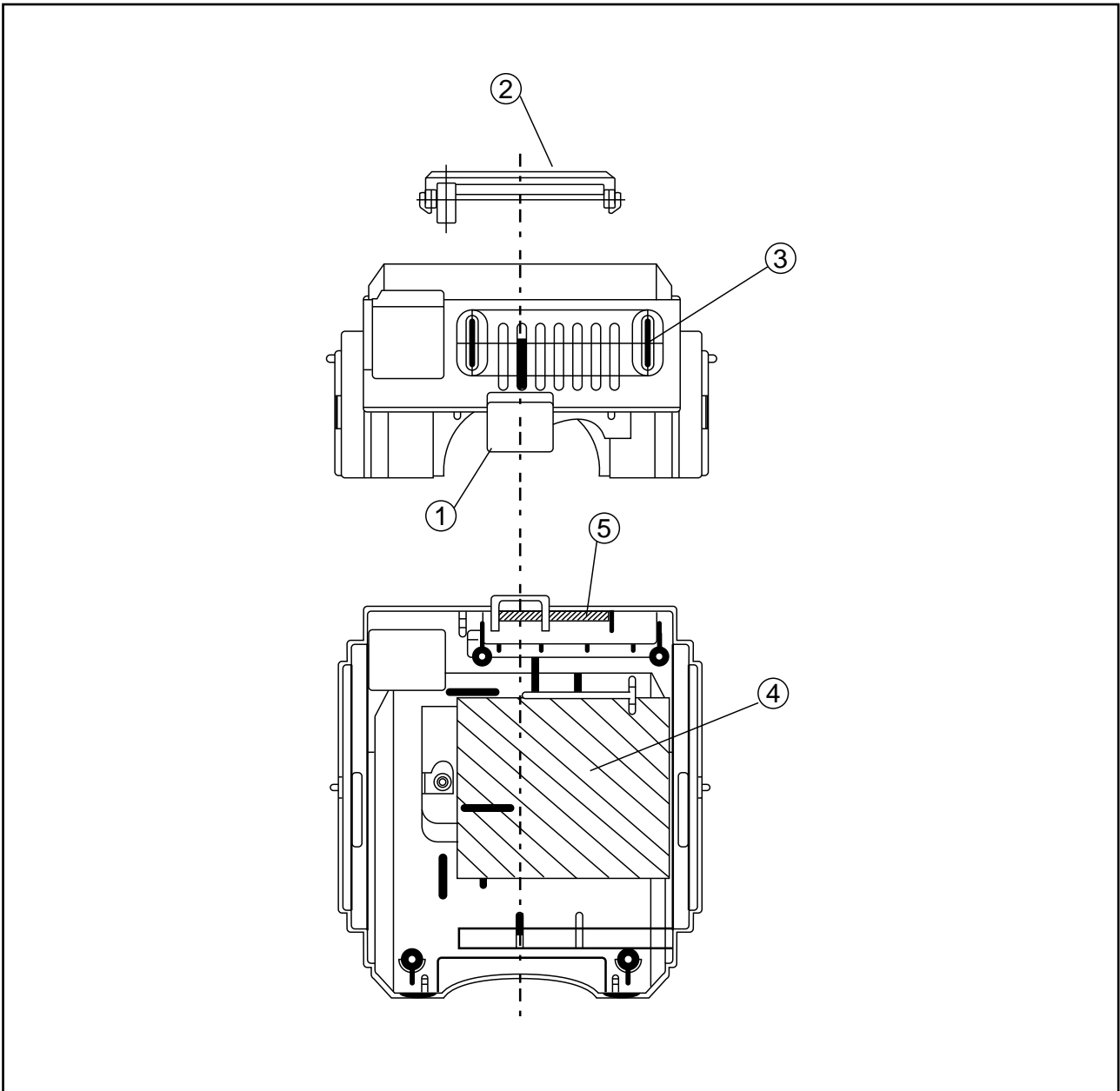
6. EXPLODED VIEW AND PARTS LIST

6-1. CLEANER ASSEMBLY



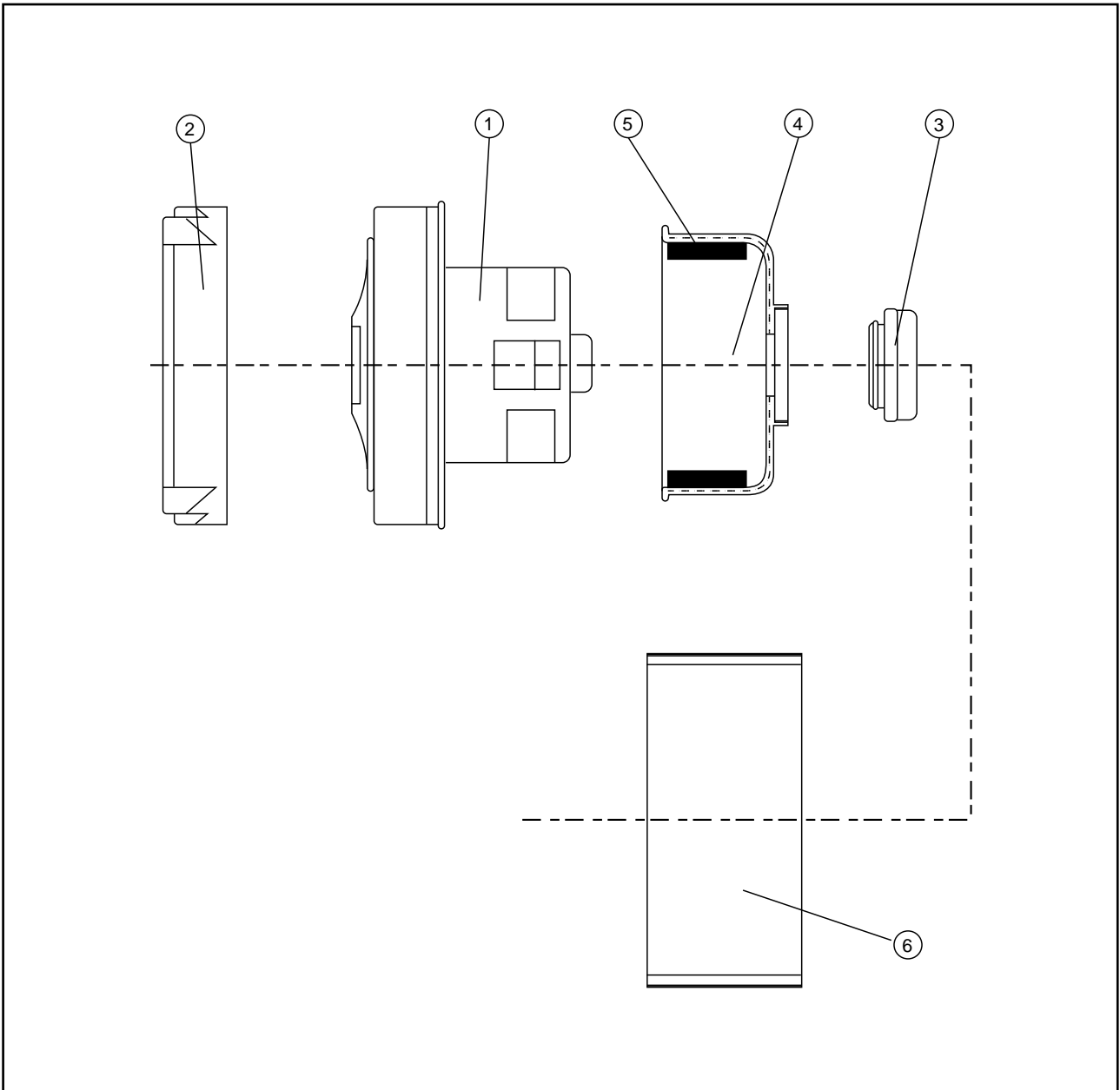
NO	PART NAME	PART CODE	SPECS.	Q'TY
1	BODY	3620403600	ABS KR-2870	1
2	ROLLER	3624701700	NYLON-6+TPE	3
3	PIN	3628200400	SWRM MFZN	3
4	ABSORBER SOUND	3620106200	FELT T=5.0	1
5	SWITCH	3629001100	PRESSURE SWITCH+WIRE	1
6	TUBE	3625700100	D3.0	1
7	SCREW TAPPING	7121300811	T2S PAN 3X8 MFZN	3
8	CORD REEL AS	3629504400	ASSY	1
9	GRILLE	3622400500	ABS	1
10	TERMINAL AS	3628706400	TERMINAL+WIRE C	1
11	PCB ASSY	3624305000	220V/60HZ	1
12	ASSY MOTOR	3620005800	ASSY	1
13	COVER AS	3621413100	ASSY	1
14	ROLLER	3624701600	ABS+TPE	2
15	FIXTURE ROLLER L	3622000500	ABS	1
16	FIXTURE ROLLER R	3622000600	ABS	2
17	COVER ROLLER	3621411300	ABS	2
18	SCREW TAPPING	7121401611	T2S PAN 4X16 MFZN	4

6-2. COVER ASSEMBLY



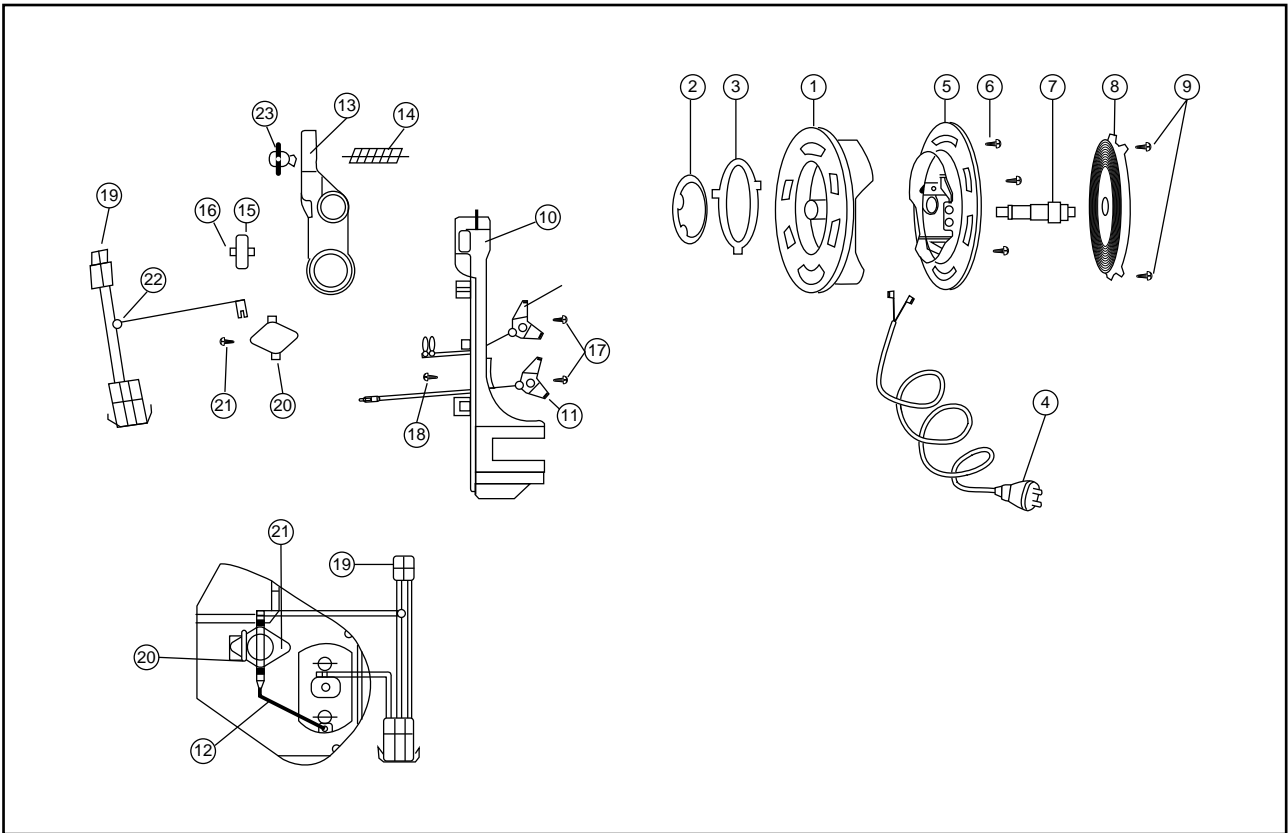
NO	PART NAME	PART CODE	SPECS.	Q'TY
1	COVER BODY	3621411200	ABS	1
2	BUTTON CR	3626602100	ABS	1
3	CAP	3620902200	TPE	2
4	ABSORBER SOUND	3620106500	FELT T=5.0	1
5	FILTER	3621902800	PE UNWOVEN MAT.	1

6-3. MOTOR ASSEMBLY



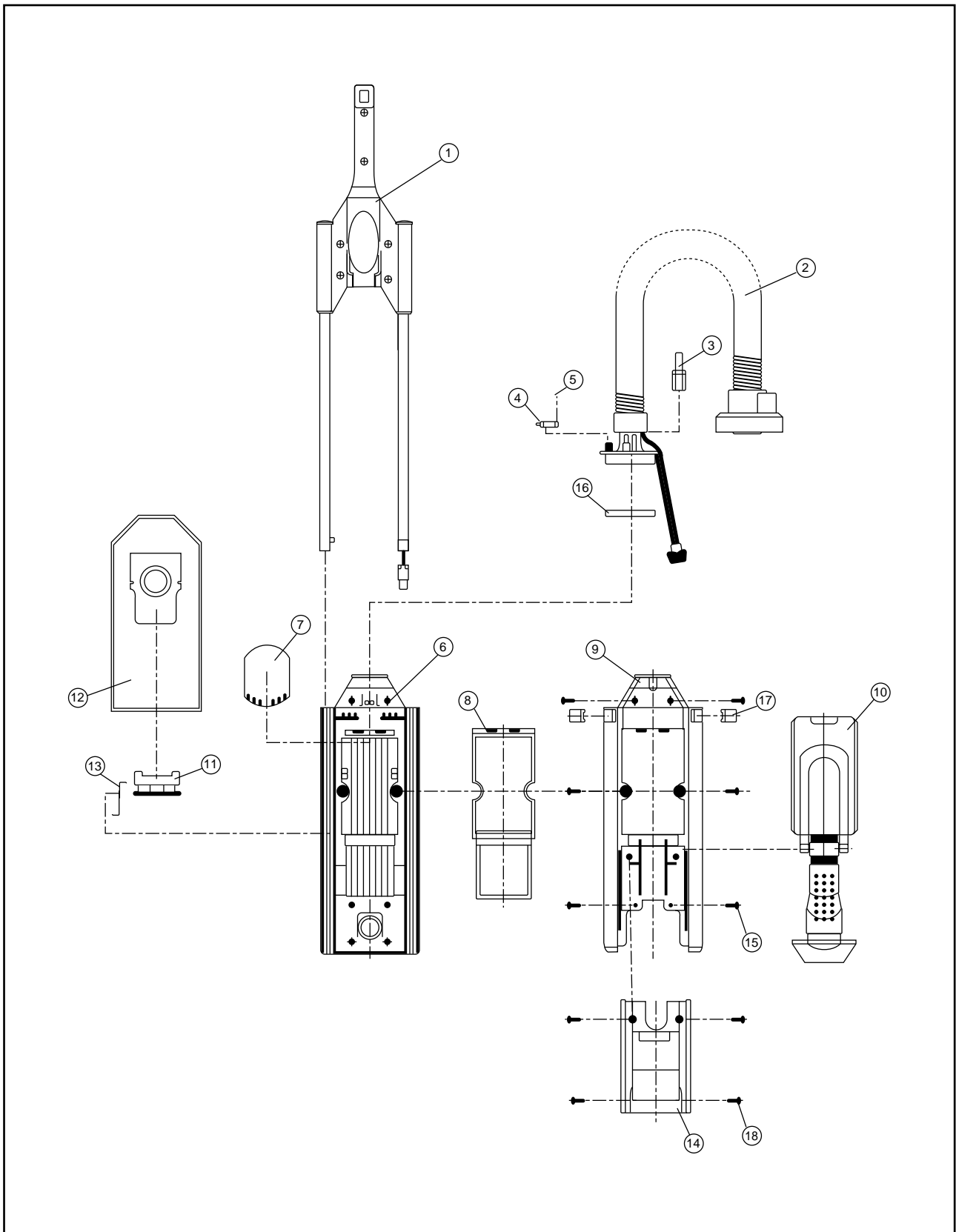
NO	PART NAME	PART CODE	SPECS.	Q'TY
1	MOTOR UNIVERSAL	3962330700	1400W 220V O/S	1
2	CAP FRONT	3620902000	CR FOAM	1
3	CAP BACK	3620902100	CR FOAM	1
4	GUIDE AIR	3622500700	ABS	1
5	ABSORBER SOUND	3620103400	FELT T=3.0	2
6	ABSORBER SOUND	3620106400	PU FOAM T=3+PE T=1	1

6-4. CORD REEL ASSEMBLY



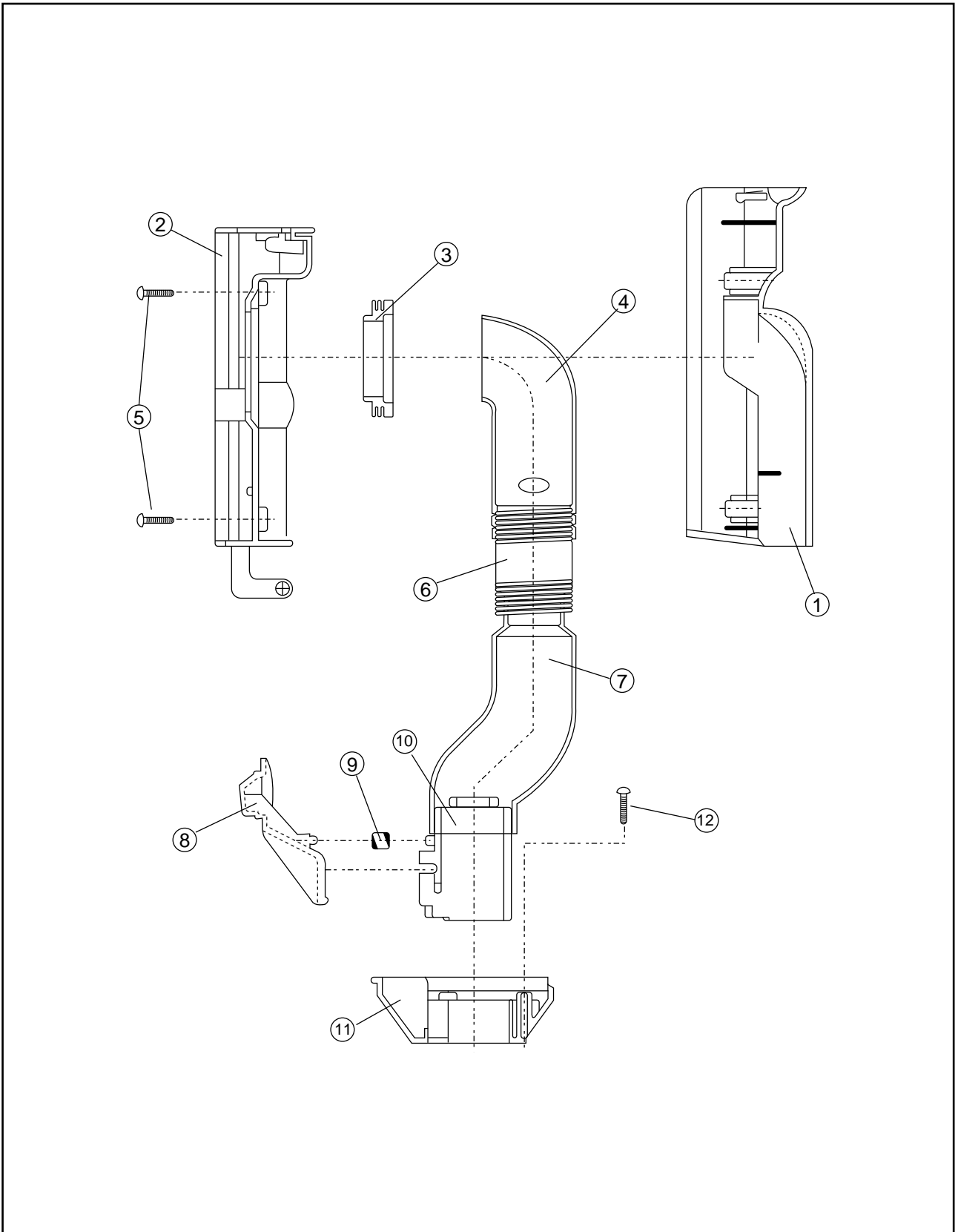
NO	PART NAME	PART CODE	SPECS.	Q'TY
1	BOBBIN T	3629200300	ABS	1
2	TERMINAL	3628700100	C2600P T=0.5	1
3	TERMINAL	3628700200	C2600 T=0.5	1
4	CORD POWER	3621300800	250V7A HVCTF H-SUN 6.5M	1
5	BOBBIN S	3629200400	ABS	1
6	SCREW TAPPING	7121401211	T2S PAN 4X12	3
7	SHAFT CR	3624900600	ABS	1
8	SPRING AS	3625102000	SUS301-EH+COVER	1
9	SCREW TAPPING	7121300811	T2S PAN 3X8	2
10	BRACKET CR	3620600800	ABS	1
11	TERMINAL AS	3628706300	Y TER+WIR(WH)+REC	1
12	TERMINAL AS	3628706200	Y TER+WIR(BK)+REC	1
13	LEVER CR	3623701500	ABS	1
14	SPRING LEVER	3625104000	HSW3	1
15	STOPPER CR	4569C35082	NBR	1
16	FRAME STOPPER	4565A35070	POLY ACETAL	1
17	SCREW TAPPING	7121400811	T2S PAN 4X8	2
18	SCREW TAPPING	7121401211	T2S PAN 4X12	1
19	HARNESS AS	3622707900	ASSY	1
20	THERMOSTAT	4569B47002	PW-2 T85	1
21	SCREW TAPPING	7121300811	T2S PAN 3X8	1
22	CEC	4505A63040	ST CE-5500	1
23	SCREW TAPPING	7188401011	T2S WASHER 4X10 PW	1

6-5. DUST ASSEMBLY



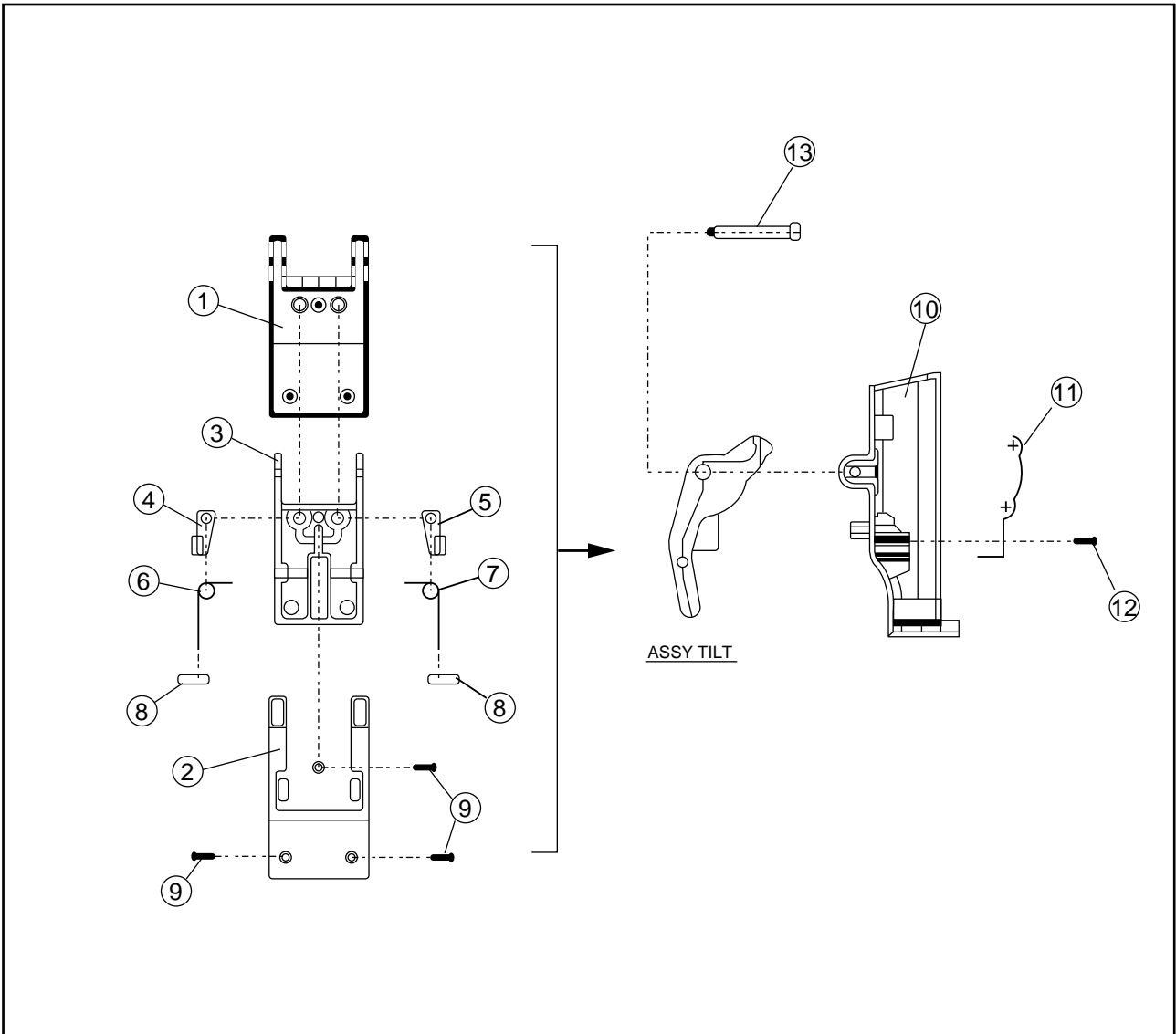
NO	PART NAME	PART CODE	SPECS.	Q'TY
1	HANDLE ASSY	3622600900	ASSY	1
2	HOSE AS	3623204600	ASSY	1
3	BUTTON HANDLE	3626602000	ABS	1
4	LEVER AS	3623701200	POM+SUS304	1
5	SPRING LEVER	3625104000	HSW3	1
6	BODY DUST	3620403200	ABS	1
7	FILTER	3621902700	PE NONWOVEN MAT	1
8	PACKING DUST	3624002900	PVC	1
9	COVER DUST	3621410500	ABS	1
10	DOOR AS	3621700500	ASSY	1
11	HOLDER PAPER	3623002800	ABS	1
12	BAG DUST	3620201000	PP	1
13	SPRING HOLDER	3625105100	SUS304	1
14	BASE TILT ASSY	3620300100	ASSY	1
15	SCREW TAPPING	7121401612	T2S PAN 4X16 MFZN	10
16	PACKING GRILLE	3624003000	CR FOAM	1
17	CLAMP DUST	3621201600	SK-5	2

6-6. DOOR ASSEMBLY



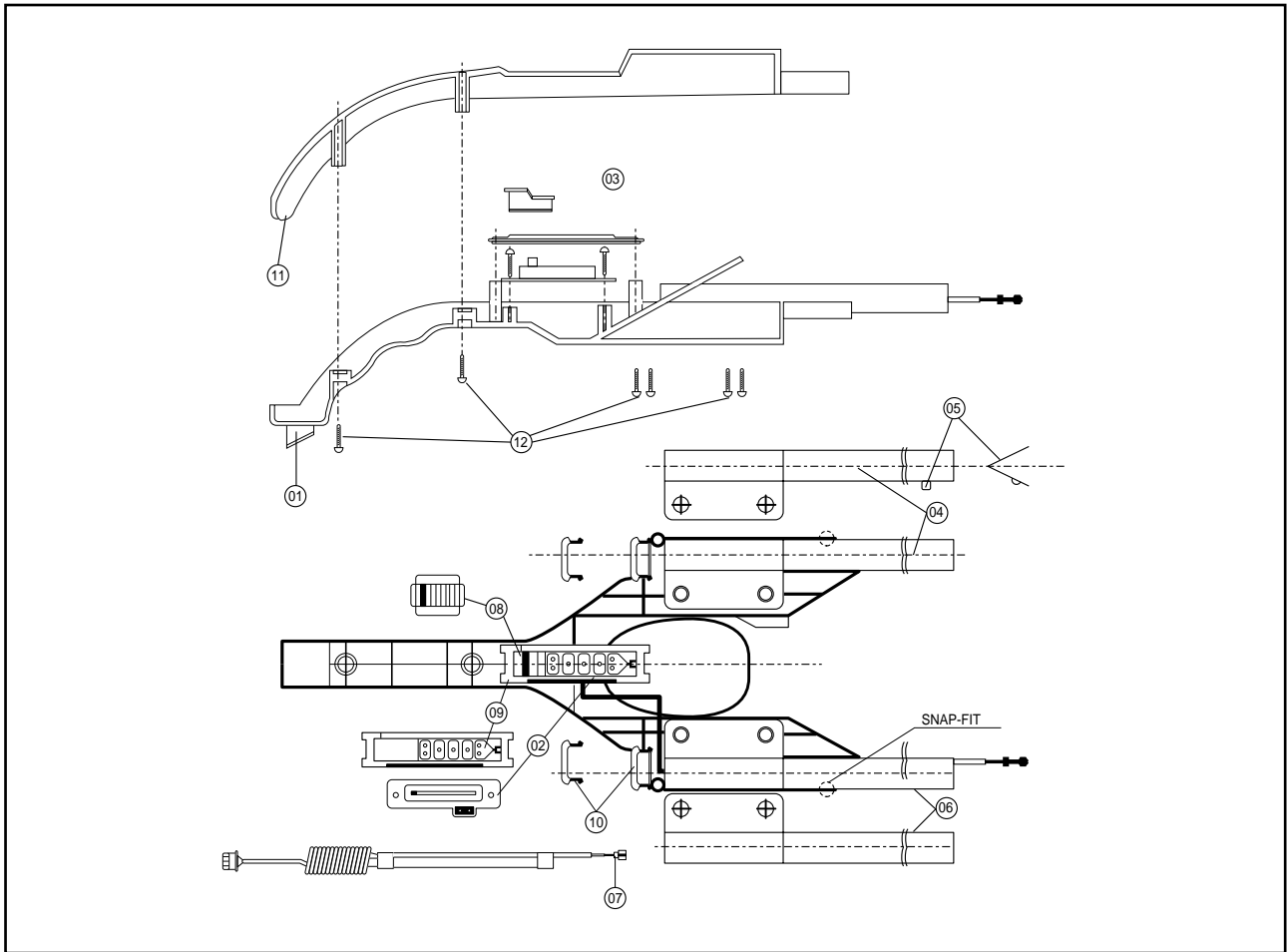
NO	PART NAME	PART CODE	SPECS.	Q'TY
1	COVER DOOR	3621410700	ABS	1
2	DOOR DUST	3621700400	ABS	1
3	PACKING ELBOW	3624002800	CR	1
4	ELBOW PIPE	3627100500	ABS	1
5	SCREW TAPPING	7121401212	T2S PAN 4X12	4
6	HOSE BELLOWS	3623204000	PVC-S+SWRM	0.045
7	PIPE S	3624405600	ABS	1
8	BUTTON BRUSH	3626602200	PC	1
9	SPRING BRUSH	3625104700	HSW3	1
10	PIPE ADAPTER	3624405100	ABS	1
11	ADAPTER	3629100800	ABS	1
12	SCREW TAPPING	7121301211	T2S PAN 3X12	3

6-7. BASE TILT ASSEMBLY



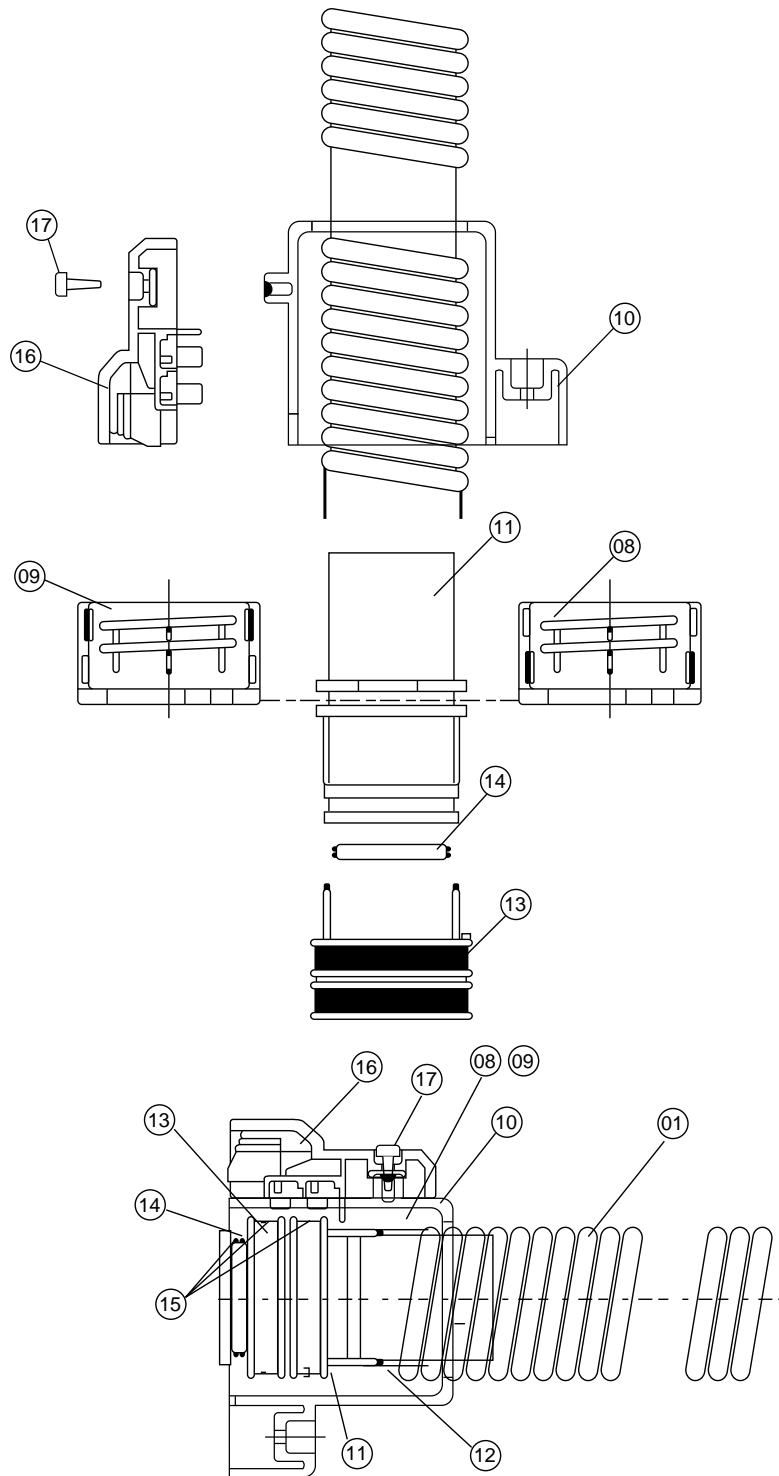
NO	PART NAME	PART CODE	SPECS.	Q'TY
1	BODY TILT	3620403400	ABS	1
2	COVER TILT	3621410800	ABS	1
3	FRAME TILT	3622200900	AL	1
4	LEVER TILT A	3623701300	POM	1
5	LEVER TILT B	3623701400	POM	1
6	SPRING TILT A	3625104800	SUS 304	1
7	SPRING TILT B	3625104900	SUS 304	1
8	CLAMP TILT	3621201500	S10C	2
9	SCREW TAPPING	7121300812	T2S PAN 3X8	3
10	COVER BOTTOM	3621410400	ABS	1
11	SPRING LOCK	3625104100	SK-5	1
12	SCREW TAPPING	7188401011	T2S WASHER 4X10	2
13	SHAFT HINGE	3624900700	S10C	1

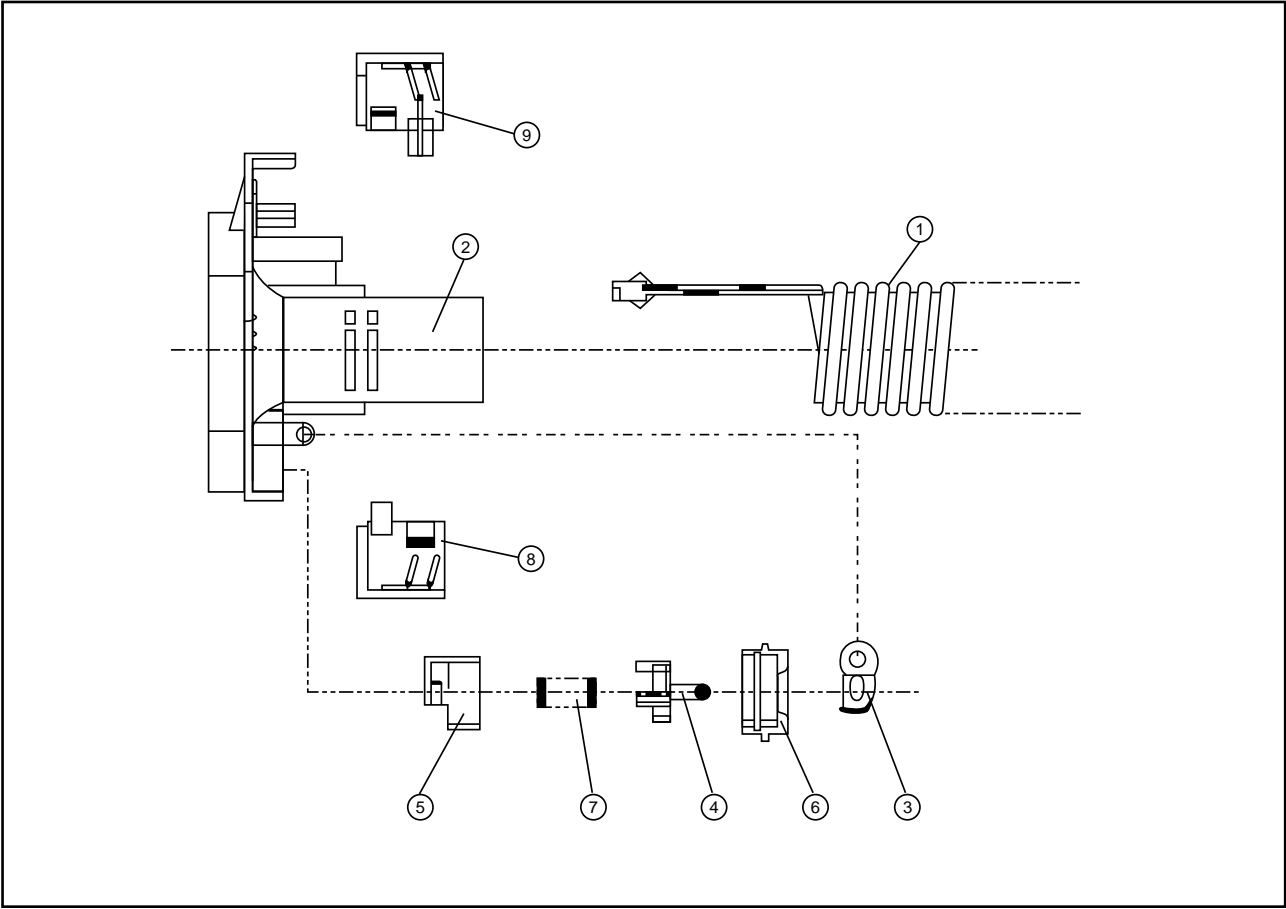
6-8. HANDLE ASSEMBLY



NO	PART NAME	PART CODE	SPECS.	Q'TY
1	HANDLE BT	3622600700	ABS	1
2	PCB S/V AS	3624303900	500K	1
3	SCREW TAPPING	7121300811	T2S PAN 3X8	2
4	PIPE AS L	3624405700	SPCC	1
5	SPRING AS	3625103800	SUS 304+S10C	1
6	PIPE AS R	3624404900	SPCC	1
7	HARNESS	3622707600	ASSY	1
8	KNOB	3623400400	PC	1
9	PLATE	3624500900	ABS	1
10	CAP HANDLE	3620901700	ABS	2
11	HANDLE UP	3622600600	ABS	1
12	SCREW TAPPING	7121401211	T2S PAN 4X12	6

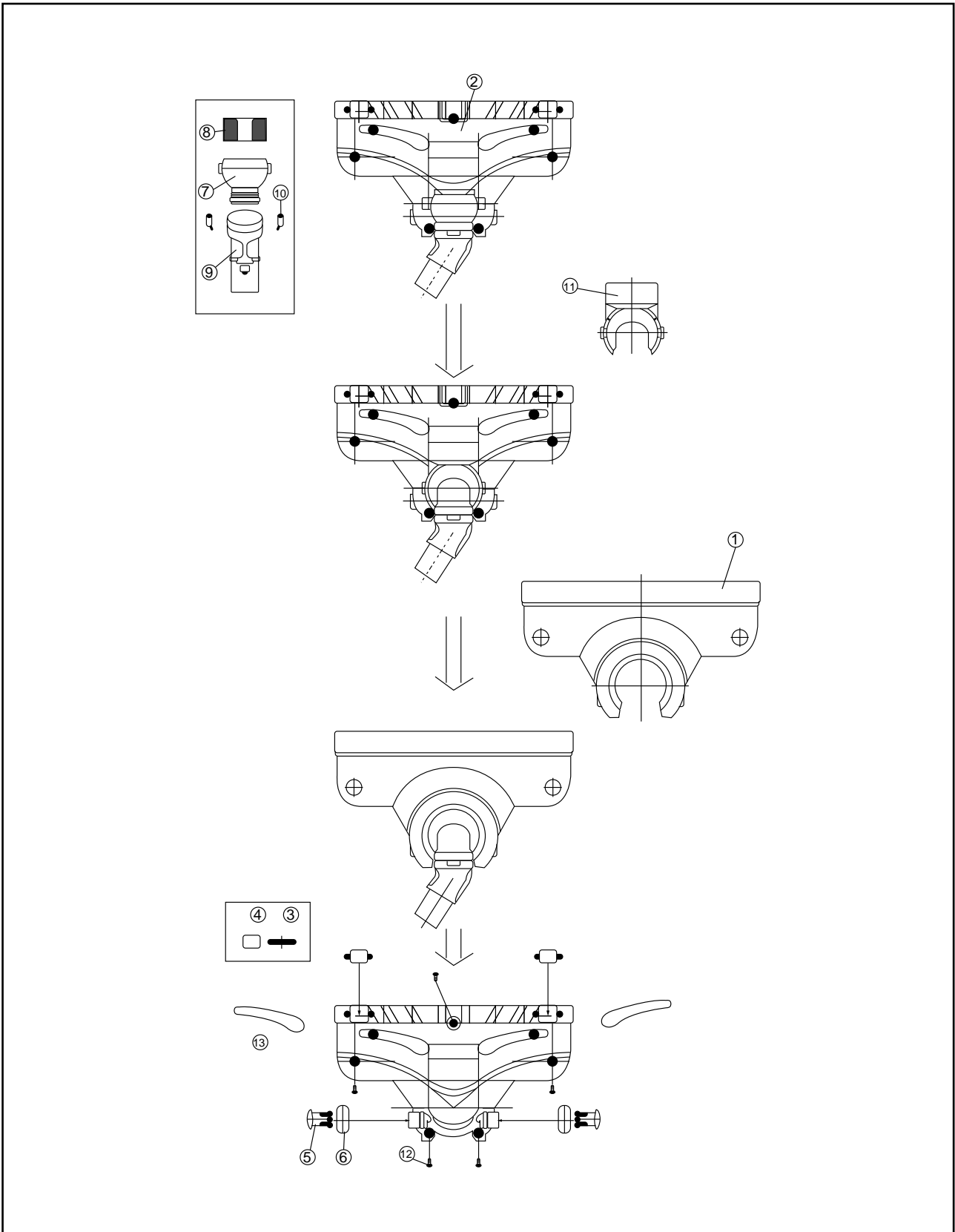
6-9. HOSE ASSEMBLY





NO	PART NAME	PART CODE	SPECS.	Q'TY
1	HOSE EVA	3623204400	EVA, ELECTRIC	1
2	PIPE OUTLET	3624405200	ABS	1
3	DUST METER	3629701700	ABS	1
4	VALVE DM	3625400300	ABS	1
5	BODY DM	3620403300	ABS	1
6	COVER DM	3621410600	PVC	1
7	SPRING DM	3625104500	SUS 304	1
8	HOLDER HOSE A	3623002600	ABS	2
9	HOLDER HOSE B	3623002700	ABS	2
10	ADAPTER	3629100700	ABS	1
11	PIPE HOSE	3624404800	ABS	1
12	TAPE VINYL	2TU0019BK	19mm BK	0.13M
13	FRAME TERMINAL AS	3622201000	ASSY	1
14	PACKING PIPE	3624002700	NBR	1
15	WAX VASELINE	2291140301	VASELINE	0.02kg
16	COVER ADAPTER AS	3621412000	ASSY	A
17	SCREW TAPPING	7121300811	T2S PAN 3X8	1

6-10. WIDE SUCTION BRUSH



NO	PART NAME	PART CODE	SPECS.	Q'TY
1	COVER BRUSH	3621411100	ABS+PVC	1
2	BODY BRUSH	3620403500	ABS	1
3	PIN	3628200200	SWRM MFZN	2
4	ROLLER	3624700600	PA+TPE	2
5	HOLDER ROLLER	3620900500	ABS	2
6	ROLLER	3624700500	POM+PVC	2
7	NECK BRUSH	3628001000	ABS	1
8	ABSORBER SOUND	3620105300	PVA	1
9	PIPE BRUSH	3624405400	ABS	1
10	HOOK	3623100100	POLY AMIDES	2
11	CAP BRUSH	3620902500	ABS+MF(CR)	1
12	SCREW TAPPING	7121401212	T2S PAN 4X12 MFZN(BK)	5
13	PICKER LITTER	3627000400	ABS+NYLON	1
		3627000500	ABS+NYLON	1
14	BAG	4565A02110	PE T 0.03	1