

**SAMSUNG**

# DUAL BAND GSM TELEPHONE SGH-A300

# **SERVICE** *Manual*

## DUAL BAND GSM TELEPHONE



## CONTENTS

1. Exploded Views and Parts List
2. Electrical Parts List
3. Block Diagrams
4. PCB Diagrams
5. Flow Chart of Troubleshooting and Circuit Diagram

---

## 1. Exploded Views and Parts List

---

- 1-1 SGH-A300 GSM Telephone Exploded View**
- 1-2 SGH-A300 GSM Telephone Parts List**
- 1-3 SGH-A300 Travel Adapter**
- 1-4 SGH-A300 Travel Adapter Parts List**
- 1-5 SGH-A300 Cigarette Lighter Adaptor**
- 1-6 SGH-A300 Cigarette Lighter Adapter Parts List**
- 1-7 SGH-A300 Test Jig**
  - 1-7-1 SGH-A300 Test Jig Cable**
  - 1-7-2 SGH-A300 RF Jig Cable**
  - 1-7-3 SGH-A300 Test Jig**

## 2. Electrical Parts List

---

## 3. Block Diagrams

---

- 3-1 Main Block Diagram**
- 3-2 Main RF**
  - 3-2-1 RF Tx Part**
  - 3-2-2 RF Rx Part**

## 4. PCB Diagrams

---

- 4-1 Main Top**
- 4-2 Main Bottom**

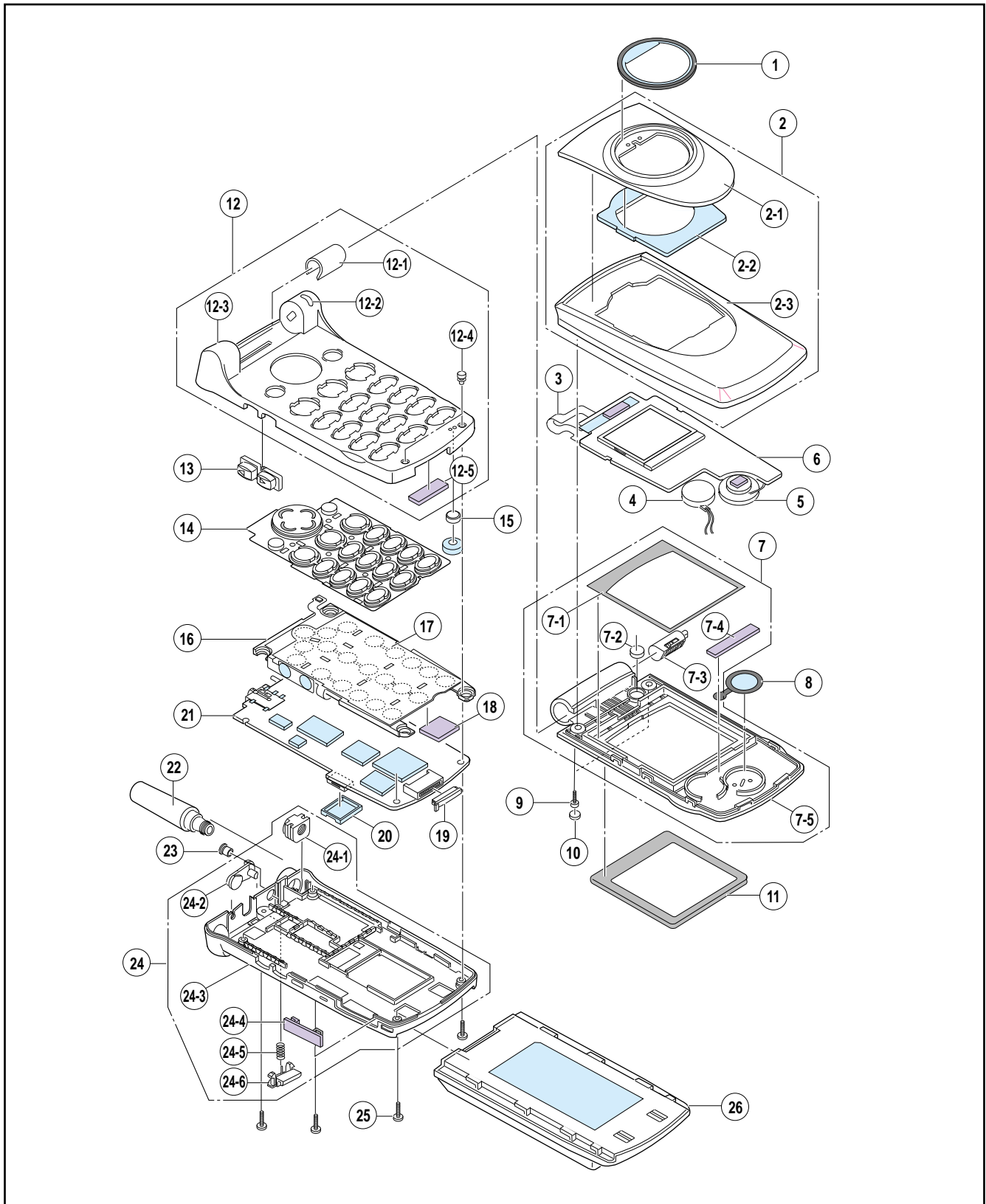
## 5. Flow chart of trouble shooting

---

- 5-1 Power ON**
- 5-2 Initial**
- 5-3 Sim Part**
- 5-4 Charging Part**
- 5-5 Microphone Part**
- 5-6 Speaker Part**
- 5-7 Key Data Input**
- 5-8 Ring Indicator**
- 5-9 Back Light**
- 5-10 Alert Tone**
- 5-11 GSM Receiver**
- 5-12 GSM Transmit**
- 5-13 DCS Receiver**
- 5-14 DCS Transmit**

# 1. Exploded View and its Parts List

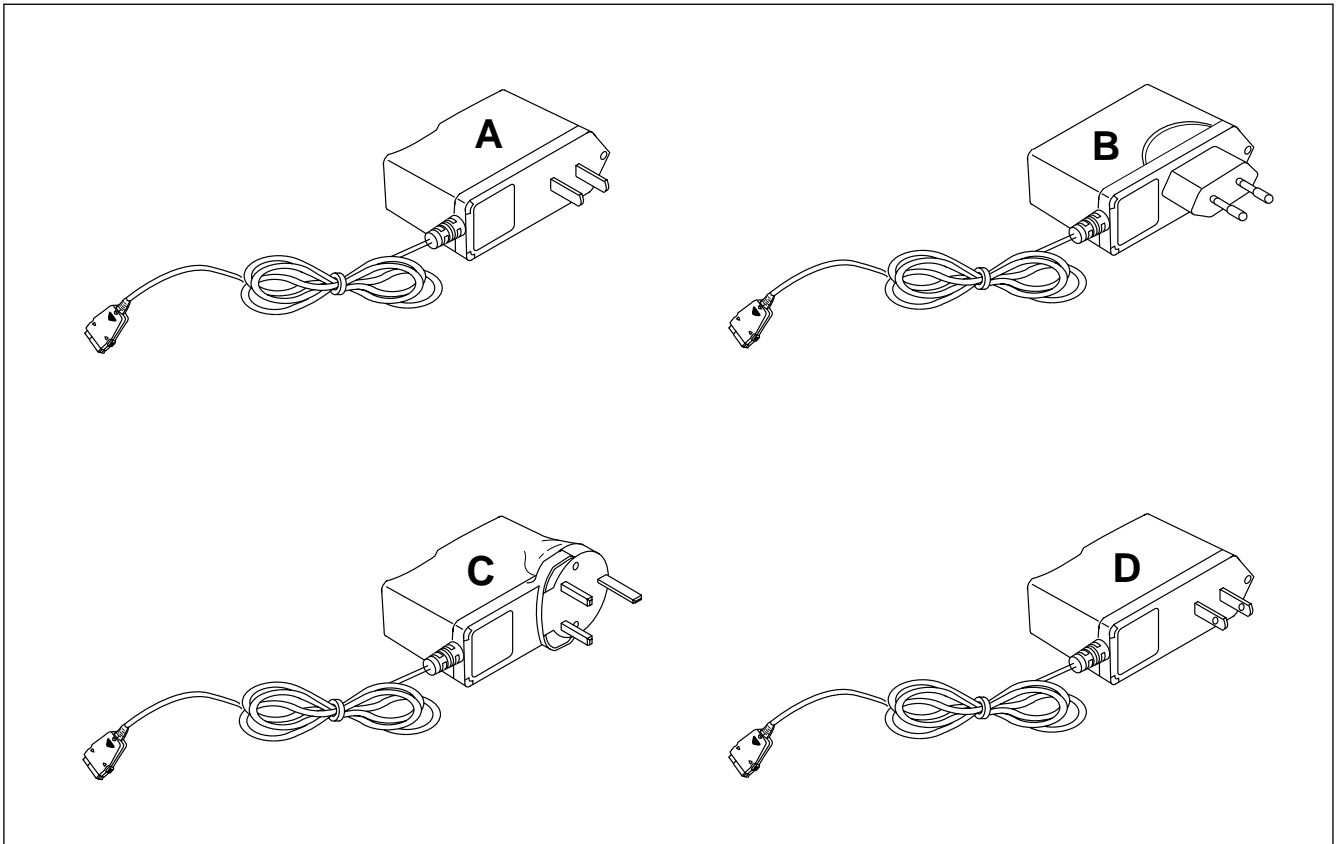
## 1-1 SGH-A300 GSM Telephone Exploded View



## 1-2 SGH-A300 GSM Telephone Parts List

Location No.	Description	SEC CODE		Remark
		Blue-Tinted Silver	Silver	
1	DUAL WINDOW	GH72-01793F	GH72-01793E	
2	SUA, FOLDER UPPER	GH75-01004B	GH75-01004A	
	2-1 DECORATION	GH71-00311B	GH71-00311C	
	2-2 SPONDGE-DUAL LCD	GH74-00819A	GH74-00819A	
	2-3 FOLDER UPPER	GH72-01795D	GH72-01795D	
3	F-PCB	GH59-00189A	GH59-00189A	
4	MOTOR	GH31-00018A	GH31-00018A	
5	SPEAKER	3001-001215	3001-001215	
6	LCD ASS'Y	GH07-00072A	GH07-00072A	
7	SUA, FOLDER LOWER	GH75-01016A	GH75-01016A	
	7-1 SPONGE LCD	GH74-00939A	GH74-00939A	
	7-2 MAGNETIC	-	-	
	7-3 SUA, HINGE ASS'Y	GH75-01087A	GH75-01087A	
	7-4 SPONGE PCB SUPPORT	GH74-00953A	GH74-00953A	
	7-5 FOLDER LOWER	GH72-02317A	GH72-02317A	
8	SHIELD NET	GH74-01244A	GH74-01244A	
9	SCREW MACHINE	6001-000464	6001-000464	
10	DUMMY LABEL	GH68-00370C	GH68-00370C	
11	LCD WINDOW	GH72-02385A	GH72-02385A	
12	SUA, FRONT CASE ASS'Y	GH75-01001A	GH75-01001A	
	12-1 HINGE DUMMY	GH72-02420A	GH72-02420A	
	12-2 LED LENS	GH72-00287A	GH72-00287A	
	12-3 FRONT CASE	GH72-02135A	GH72-02135A	
	12-4 FOLDER HOLDER	GH73-00263B	GH73-00263B	
	12-5 SHIELD SPONGE	GH74-01243A	GH74-01243A	
13	VOLUME KEY	GH72-01572A	GH72-01572A	
14	KEY PAD	GH72-01582F	GH72-01582F	
15	MIC	3003-001060	3003-001060	
16	SHIELD COVER	GH71-00459A	GH71-00459A	
17	KEY PAD ASS'Y	GH59-00188A	GH59-00188A	
18	RUBBER SUPPORT	GH73-00676A	GH73-00676A	
19	IF CONN-COVER	GH73-00756A	GH73-00756A	
20	BUZZER HOLDER	GH73-00653A	GH73-00653A	
21	PBA	GH92-00872A	GH92-00872A	
22	ANTENNA	GH42-00100A	GH42-00100A	
23	RF JACK DUMMY	GH73-00611A	GH73-00611A	
24	SUA, REAR CASE	GH75-01002A	GH75-01002A	
	24-1 ANTENNA BRACKET	GH71-00392A	GH71-00392A	
	24-2 EAR JACK COVER	GH72-01574C	GH72-01574C	
	24-3 REAR COVER	GH72-02136A	GH72-02136A	
	24-4 IRDA WINDOW	GH72-02138A	GH72-02138A	
	24-5 LOCKER SPRING	GH70-00063A	GH70-00063A	
	24-6 LOCKER-BATTERY	GH72-01579C	GH72-01579C	
25	SCREW MACHINE	6001-00883	6001-00883	
26	BATTERY	GH43-00315A	GH43-00315A	850 mAh
		GH43-00316A	GH43-00316A	550 mAh

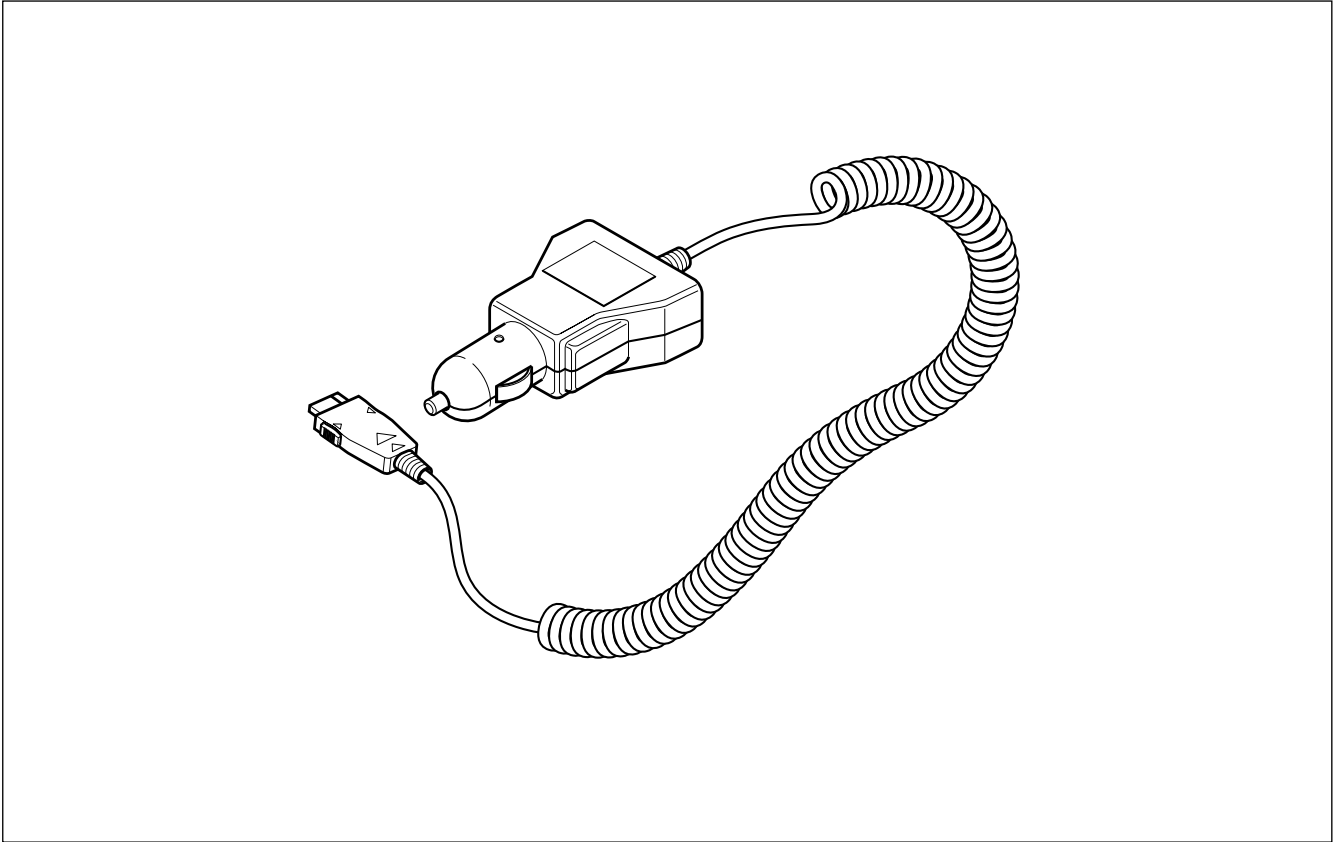
### 1-3 SGH-A300 Travel Adapter



### 1-4 SGH-A300 Travel Adapter Parts List

TYPE	SEC CODE	REMARK
A	GH44-00171A	CHINA
B	GH44-00184A	EUROPE
C	GH44-00171C	UNITED KINGDOM
D	Gh44-00171E	TAIWAN

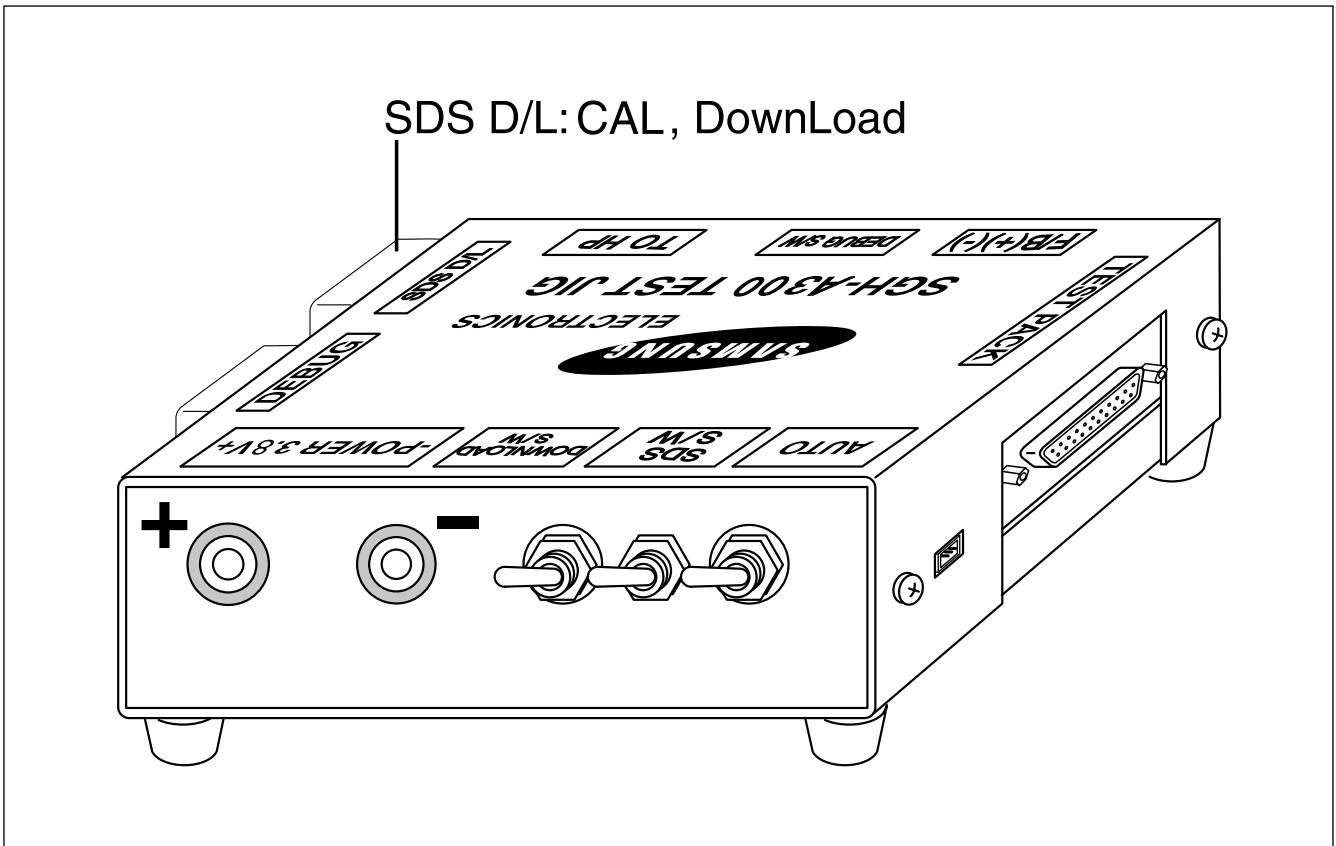
## 1-5 SGH-A300 Cigarette Lighter Adaptor



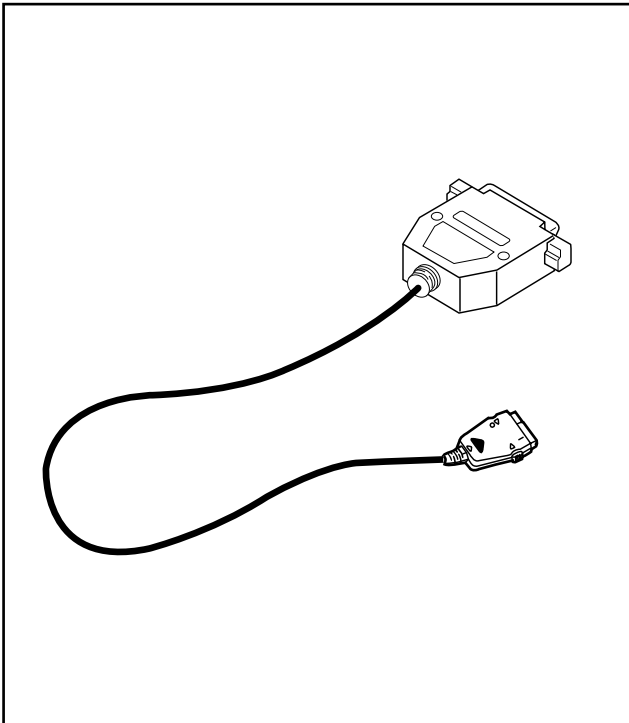
## 1-6 SGH-A300 Cigarette Lighter Adapter Parts List

DESCRIPTION	SEC CODE	REMARK
Cigarette Lighter Adapter Code	GH44-00195A	BLACK

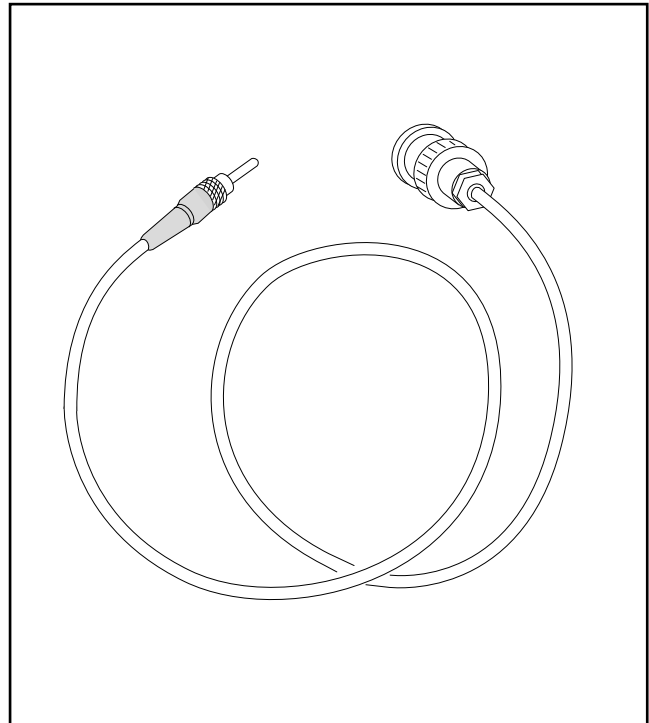
### 1-7 SGH-A300 Test Jig (GH80-00161A)



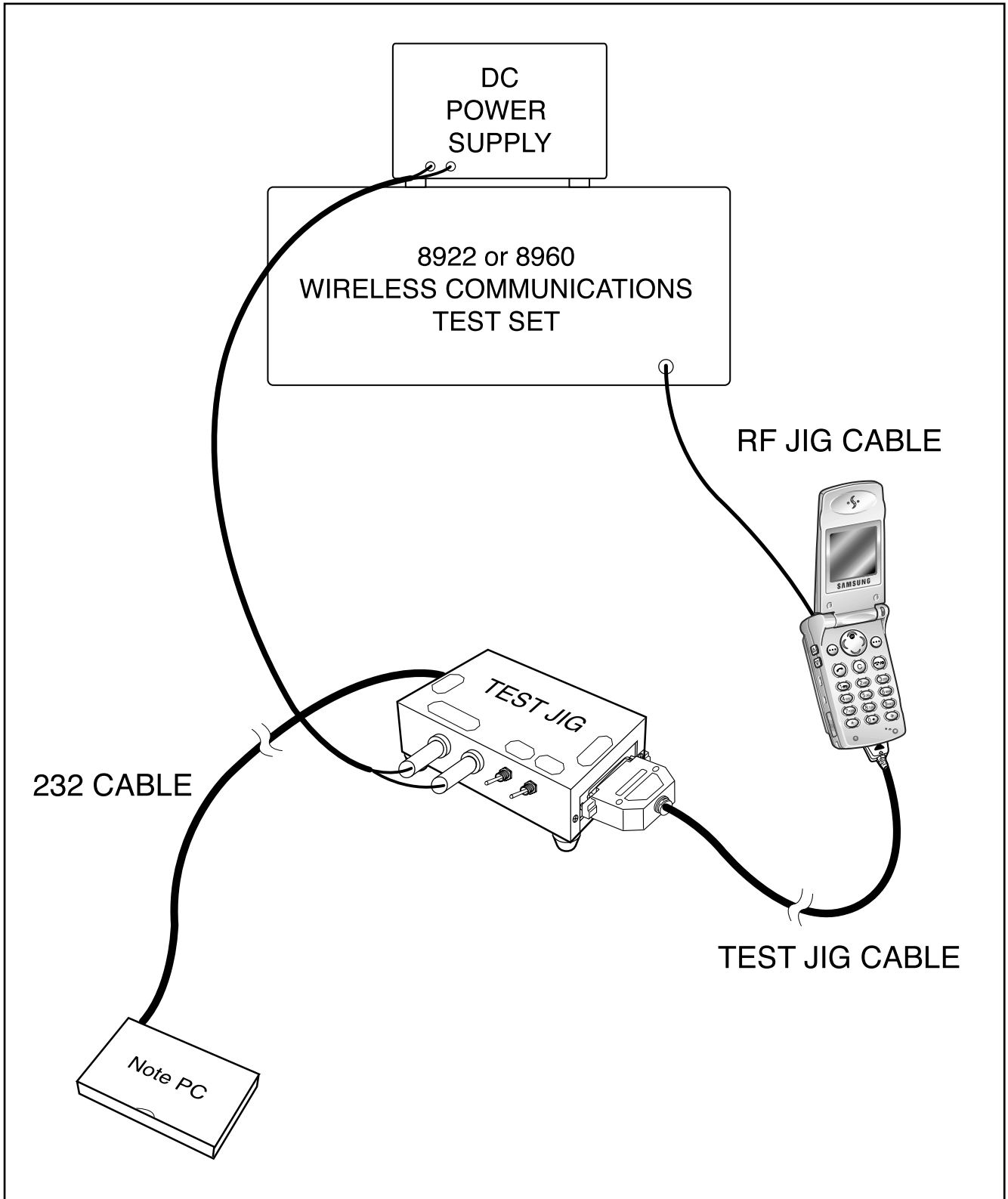
#### 1-7-1 SGH-A300 Test Jig Cable (GH39-00096A)



#### 1-7-2 SGH-A300 RF Jig Cable (GH39-00026A)



### 1-7-3 SGH-A300 Test Jig





## 2. SGH-A300 Electrical Parts List

Level	SEC CODE	REFERENCE	DESCRIPTIONS	Remark
1	3002-001101	AU600	88dB, 3.6 V, 100 mA, 2550Hz, TP	
2	4302-001119	BAT200	3 V, 0.1MAH, -, -, 3.1 V, -	
3	2203-002443	C100	0.33 nF, 10 %, 50 V, X7R, TP, 1005	
4	2203-005065	C101	1000 nF, +80-20 %, 10 V, Y5 V, TP, 1608	
5	2203-000386	C102	0.015 nF, 5 %, 50 V, NP0, TP, 1005	
6	2203-005571	C103	10000 nF, +80-20 %, 6.3 V, Y5 V, TP, 2012	
7	2203-000359	C104	0.15 nF, 5 %, 50 V, NP0, TP, 1005	
8	2203-005509	C105	330 nF, +80-20 %, 10 V, Y5 V, TP, 1005	
9	2203-000233	C106	0.1 nF, 5 %, 50 V, NP0, TP, 1005	
10	2203-000812	C107	0.033 nF, 5 %, 50 V, NP0, TP, 1005	
11	2404-001151	C108	33UF, 20 %, 6.3 V, LZ, TP, 3216	
12	2203-005571	C109	10000 nF, +80-20 %, 6.3 V, Y5 V, TP, 2012	
13	2203-000278	C110	0.01 nF, 0.5 pF, 50 V, NP0, TP, 1005	
14	2203-000628	C111	0.022 nF, 5 %, 50 V, NP0, TP, 1005	
15	2203-001432	C112	47 nF, +80-20 %, 16 V, Y5 V, TP, 1005	
16	2203-000812	C113	0.033 nF, 5 %, 50 V, NP0, TP, 1005	
17	2203-005061	C114	100 nF, +80-20 %, 16 V, Y5 V, TP, 1005	
18	2203-001432	C115	47 nF, +80-20 %, 16 V, Y5 V, TP, 1005	
19	2203-000628	C116	0.022 nF, 5 %, 50 V, NP0, TP, 1005	
20	2203-000812	C117	0.033 nF, 5 %, 50 V, NP0, TP, 1005	
21	2203-005571	C118	10000 nF, +80-20 %, 6.3 V, Y5 V, TP, 2012	
22	2203-005061	C119	100 nF, +80-20 %, 16 V, Y5 V, TP, 1005	
23	2203-005061	C120	100 nF, +80-20 %, 16 V, Y5 V, TP, 1005	
24	2203-001432	C121	47 nF, +80-20 %, 16 V, Y5 V, TP, 1005	
25	2404-001101	C200	1uF, 20 %, 16 V, GP, TP, 2012, -	
26	2203-005061	C201	100 nF, +80-20 %, 16 V, Y5 V, TP, 1005	
27	2203-005509	C202	330 nF, +80-20 %, 10 V, Y5 V, TP, 1005	
28	2203-000359	C203	0.15 nF, 5 %, 50 V, NP0, TP, 1005	
29	2203-000359	C204	0.15 nF, 5 %, 50 V, NP0, TP, 1005	
30	2203-005061	C205	100 nF, +80-20 %, 16 V, Y5 V, TP, 1005	
31	2203-000254	C206	10 nF, 10 %, 16 V, X7R, TP, 1005, -	
32	2203-000679	C207	0.027 nF, 5 %, 50 V, NP0, TP, 1005	
33	2404-001101	C208	1uF, 20 %, 16 V, GP, TP, 2012, -	
34	2203-000679	C209	0.027 nF, 5 %, 50 V, NP0, TP, 1005	
35	2404-001155	C210	100UF, 10 %, 6.3 V, LZ, TP, 4427	
36	2203-000359	C211	0.15 nF, 5 %, 50 V, NP0, TP, 1005	
37	2203-005509	C212	330 nF, +80-20 %, 10 V, Y5 V, TP, 1005	

Level	SEC CODE	REFERENCE	DESCRIPTIONS	Remark
38	2203-005061	C213	100 nF, +80-20 %, 16 V, Y5 V, TP, 1005	
39	2203-005061	C214	100 nF, +80-20 %, 16 V, Y5 V, TP, 1005	
40	2203-005061	C280	100 nF, +80-20 %, 16 V, Y5 V, TP, 1005	
41	2203-000233	C300	0.1 nF, 5 %, 50 V, NP0, TP, 1005	
42	2203-000233	C301	0.1 nF, 5 %, 50 V, NP0, TP, 1005	
43	2203-005053	C302	0.0039 nF, 0.25 pF, 50 V, NP0, TP, 1005	
44	2203-005053	C303	0.0039 nF, 0.25 pF, 50 V, NP0, TP, 1005	
45	2203-005446	C304	0.0027 nF, 0.1 pF, 50 V, NP0, TP, 1005	
46	2404-001234	C305	68uF, 20 %, 6.3 V, -, TP, 3.3 x 2.7 x 1.7 mm	
47	2203-000628	C307	0.022 nF, 5 %, 50 V, NP0, TP, 1005	
48	2203-000438	C308	1 nF, 10 %, 50 V, X7R, TP, 1005, -	
49	2203-005053	C309	0.0039 nF, 0.25 pF, 50 V, NP0, TP, 1005	
50	2203-000628	C310	0.022 nF, 5 %, 50 V, NP0, TP, 1005	
51	2203-000628	C311	0.022 nF, 5 %, 50 V, NP0, TP, 1005	
52	2301-001230	C312	10 nF, 5 %, 16 V, TP, 2012, -	
53	2404-001105	C313	10UF, 20 %, 6.3 V, GP, TP, 2012	
54	2203-000940	C314	470 pF, 10 %, 50 V, X7R, TP, 1005, -	
55	2203-000812	C315	0.033 nF, 5 %, 50 V, NP0, TP, 1005	
56	2203-000254	C316	10 nF, 10 %, 16 V, X7R, TP, 1005, -	
57	2203-000254	C317	10 nF, 10 %, 16 V, X7R, TP, 1005, -	
58	2203-000836	C318	390 pF, 10 %, 50 V, X7R, TP, 1005, -	
59	2203-005664	C319	4700 nF, 10 %, 6.3 V, X5R, TP, 2012	
60	2203-000812	C320	0.033 nF, 5 %, 50 V, NP0, TP, 1005	
61	2203-000438	C321	1 nF, 10 %, 50 V, X7R, TP, 1005, -	
62	2203-000278	C322	0.01 nF, 0.5 pF, 50 V, NP0, TP, 1005	
63	2203-005446	C323	0.0027 nF, 0.1 pF, 50 V, NP0, TP, 1005	
64	2203-000278	C324	0.01 nF, 0.5 pF, 50 V, NP0, TP, 1005	
65	2203-000425	C326	0.018 nF, 5 %, 50 V, NP0, TP, 1005	
66	2203-000425	C327	0.018 nF, 5 %, 50 V, NP0, TP, 1005	
67	2203-000940	C329	470 pF, 10 %, 50 V, X7R, TP, 1005, -	
68	2203-000330	C330	0.012 nF, 5 %, 50 V, NP0, TP, 1005	
69	2203-000836	C331	390 pF, 10 %, 50 V, X7R, TP, 1005, -	

Level	SEC CODE	REFERENCE	DESCRIPTIONS	Remark
70	2203-005481	C332	47 nF, 10 %, 10 V, X7R, TP, 1005, -	
71	2203-005664	C333	4700 nF, 10 %, 6.3 V, X5R, TP, 2012	
72	2203-000386	C334	0.015 nF, 5 %, 50 V, NP0, TP, 1005	
73	2203-000812	C335	0.033 nF, 5 %, 50 V, NP0, TP, 1005	
74	2301-001230	C336	10 nF, 5 %, 16 V, TP, 2012, -	
75	2203-005158	C337	0.0022 nF, 0.25 pF, 50 V, NP0, TP, 1005	
76	2203-005158	C338	0.0022 nF, 0.25 pF, 50 V, NP0, TP, 1005	
77	2203-000812	C339	0.033 nF, 5 %, 50 V, NP0, TP, 1005	
78	2203-000812	C340	0.033 nF, 5 %, 50 V, NP0, TP, 1005	
79	2203-002443	C341	0.33 nF, 10 %, 50 V, X7R, TP, 1005	
80	2203-002443	C342	0.33 nF, 10 %, 50 V, X7R, TP, 1005	
81	2203-002443	C343	0.33 nF, 10 %, 50 V, X7R, TP, 1005	
82	2203-002443	C344	0.33 nF, 10 %, 50 V, X7R, TP, 1005	
83	2203-000254	C345	10 nF, 10 %, 16 V, X7R, TP, 1005, -	
84	2203-000254	C346	10 nF, 10 %, 16 V, X7R, TP, 1005, -	
85	2203-000233	C401	0.1 nF, 5 %, 50 V, NP0, TP, 1005	
86	2203-005061	C402	100 nF, +80-20 %, 16 V, Y5 V, TP, 1005	
87	2203-005065	C403	1000 nF, +80-20 %, 10 V, Y5 V, TP, 1608	
88	2203-005065	C404	1000 nF, +80-20 %, 10 V, Y5 V, TP, 1608	
89	2203-005664	C405	4700 nF, 10 %, 6.3 V, X5R, TP, 2012	
90	2203-005664	C406	4700 nF, 10 %, 6.3 V, X5R, TP, 2012	
91	2203-000254	C407	10 nF, 10 %, 16 V, X7R, TP, 1005, -	
92	2203-005065	C408	1000 nF, +80-20 %, 10 V, Y5 V, TP, 1608	
93	2203-000995	C409	0.047 nF, 5 %, 50 V, NP0, TP, 1005	
94	2203-000359	C410	0.15 nF, 5 %, 50 V, NP0, TP, 1005	
95	2203-000359	C411	0.15 nF, 5 %, 50 V, NP0, TP, 1005	
96	2203-000254	C412	10 nF, 10 %, 16 V, X7R, TP, 1005, -	
97	2203-005065	C413	1000 nF, +80-20 %, 10 V, Y5 V, TP, 1608	
98	2203-000233	C414	0.1 nF, 5 %, 50 V, NP0, TP, 1005	
99	2404-001155	C415	100 uF, 10 %, 6.3 V, LZ, TP, 4427	
100	2203-005562	C416	10000 nF, +80-20 %, 10 V, Y5 V, TP, 3216	
101	2203-005061	C417	100 nF, +80-20 %, 16 V, Y5 V, TP, 1005	

Level	SEC CODE	REFERENCE	DESCRIPTIONS	Remark
102	2203-000940	C418	470 pF, 10 %, 50 V, X7R, TP, 1005, -	
103	2203-000254	C419	10 nF, 10 %, 16 V, X7R, TP, 1005, -	
104	2404-001086	C420	4.7uF, 20 %, 6.3 V, GP, TP, 2012, -	
105	2203-000233	C500	0.1 nF, 5 %, 50 V, NP0, TP, 1005	
106	2203-000438	C501	1 nF, 10 %, 50 V, X7R, TP, 1005, -	
107	2203-000812	C503	0.033 nF, 5 %, 50 V, NP0, TP, 1005	
108	2203-000233	C504	0.1 nF, 5 %, 50 V, NP0, TP, 1005	
109	2203-000233	C505	0.1 nF, 5 %, 50 V, NP0, TP, 1005	
110	2203-000278	C506	0.01 nF, 0.5 pF, 50 V, NP0, TP, 1005	
111	2203-005056	C507	0.0068 nF, 0.25 pF, 50 V, NP0, TP, 1005	
112	2203-000233	C508	0.1 nF, 5 %, 50 V, NP0, TP, 1005	
113	2203-000233	C509	0.1 nF, 5 %, 50 V, NP0, TP, 1005	
114	2203-005234	C511	0.0012 nF, 0.25 pF, 50 V, NP0, TP, 1005	
115	2203-000628	C512	0.022 nF, 5 %, 50 V, NP0, TP, 1005	
116	2203-000628	C513	0.022 nF, 5 %, 50 V, NP0, TP, 1005	
117	2203-001385	C514	0.0015 nF, 0.25 pF, 50 V, NP0, TP, 1005	
118	2203-000278	C515	0.01 nF, 0.5 pF, 50 V, NP0, TP, 1005	
119	2203-000628	C516	0.022 nF, 5 %, 50 V, NP0, TP, 1005	
120	2203-000628	C517	0.022 nF, 5 %, 50 V, NP0, TP, 1005	
121	2203-000812	C518	0.033 nF, 5 %, 50 V, NP0, TP, 1005	
122	2203-000812	C519	0.033 nF, 5 %, 50 V, NP0, TP, 1005	
123	2203-000278	C520	0.01 nF, 0.5 pF, 50 V, NP0, TP, 1005	
124	2404-001155	C521	100 uF, 10 %, 6.3 V, LZ, TP, 4427	
125	2203-005148	C522	100 nF, 10 %, 16 V, X7R, TP, 1608, -	
126	2203-005509	C524	330 nF, +80-20 %, 10 V, Y5 V, TP, 1005	
127	2203-000628	C525	0.022 nF, 5 %, 50 V, NP0, TP, 1005	
128	2203-000233	C526	0.1 nF, 5 %, 50 V, NP0, TP, 1005	
129	2203-000812	C527	0.033 nF, 5 %, 50 V, NP0, TP, 1005	
130	2203-000254	C528	10 nF, 10 %, 16 V, X7R, TP, 1005, -	
131	2203-000233	C530	0.1 nF, 5 %, 50 V, NP0, TP, 1005	
132	2203-000233	C532	0.1 nF, 5 %, 50 V, NP0, TP, 1005	
133	2203-000812	C533	0.033 nF, 5 %, 50 V, NP0, TP, 1005	

Level	SEC CODE	REFERENCE	DESCRIPTIONS	Remark
134	2203-005061	C534	100 nF, +80-20 %, 16 V, Y5 V, TP, 1005	
135	2203-000278	C535	0.01 nF, 0.5 pF, 50 V, NP0, TP, 1005	
136	2203-000628	C537	0.022 nF, 5 %, 50 V, NP0, TP, 1005	
137	2203-000438	C538	1 nF, 10 %, 50 V, X7R, TP, 1005, -	
138	2203-000812	C539	0.033 nF, 5 %, 50 V, NP0, TP, 1005	
139	2203-000696	C540	0.002 nF, 0.25 pF, 50 V, NP0, TP, 1005	
140	2203-000466	C541	0.001 nF, 0.25 pF, 50 V, NP0, TP, 1005	
141	2203-000679	C542	0.027 nF, 5 %, 50 V, NP0, TP, 1005	
142	2203-000233	C543	0.1 nF, 5 %, 50 V, NP0, TP, 1005	
143	2301-001475	C544	3.9 nF, 5 %, 16 V, TP, 2.0 x 1.25 x 0.9 mm, -	
144	2203-000995	C545	0.047 nF, 5 %, 50 V, NP0, TP, 1005	
145	2203-000628	C546	0.022 nF, 5 %, 50 V, NP0, TP, 1005	
146	2203-000278	C547	0.01 nF, 0.5 pF, 50 V, NP0, TP, 1005	
147	2203-001432	C548	47 nF, +80-20 %, 16 V, Y5 V, TP, 1005	
148	2203-005065	C549	1000 nF, +80-20 %, 10 V, Y5 V, TP, 1608	
149	2203-000812	C600	0.033 nF, 5 %, 50 V, NP0, TP, 1005	
150	2203-000628	C601	0.022 nF, 5 %, 50 V, NP0, TP, 1005	
151	2404-001151	C602	33UF, 20 %, 6.3 V, LZ, TP, 3216	
152	2203-000438	C604	1 nF, 10 %, 50 V, X7R, TP, 1005, -	
153	2203-000628	C605	0.022 nF, 5 %, 50 V, NP0, TP, 1005	
154	2203-005367	C606	6800 nF, +80-20 %, 25 V, Y5 V, TP, 3225	
155	2203-000812	C608	0.033 nF, 5 %, 50 V, NP0, TP, 1005	
156	2203-000812	C609	0.033 nF, 5 %, 50 V, NP0, TP, 1005	
157	2203-000812	C611	0.033 nF, 5 %, 50 V, NP0, TP, 1005	
158	2404-001151	C613	33 uF, 20 %, 6.3 V, LZ, TP, 3216	
159	2203-000812	C614	0.033 nF, 5 %, 50 V, NP0, TP, 1005	
160	2203-005065	C615	1000 nF, +80-20 %, 10 V, Y5 V, TP, 1608	
161	2203-000812	C616	0.033 nF, 5 %, 50 V, NP0, TP, 1005	
162	2203-005061	C617	100 nF, +80-20 %, 16 V, Y5 V, TP, 1005	
163	2203-005061	C618	100 nF, +80-20 %, 16 V, Y5 V, TP, 1005	
164	2203-000628	C620	0.022 nF, 5 %, 50 V, NP0, TP, 1005	
165	2203-005065	C621	1000 nF, +80-20 %, 10 V, Y5 V, TP, 1608	

Level	SEC CODE	REFERENCE	DESCRIPTIONS	Remark
166	2203-005065	C622	1000 nF, +80-20 %, 10 V, Y5 V, TP, 1608	
167	2203-000628	C625	0.022 nF, 5 %, 50 V, NP0, TP, 1005	
168	2404-001155	C627	100UF, 10 %, 6.3 V, LZ, TP, 4427	
169	2203-005065	C630	1000 nF, +80-20 %, 10 V, Y5 V, TP, 1608	
170	2203-001412	C631	0.03 nF, 5 %, 50 V, NP0, TP, 1005	
171	2203-005061	C632	100 nF, +80-20 %, 16 V, Y5 V, TP, 1005	
172	2203-001412	C633	0.03 nF, 5 %, 50 V, NP0, TP, 1005	
173	2404-001020	C634	10 uF, 20 %, 10 V, GP, TP, 3216, 3.2	
174	2404-001020	C635	10 uF, 20 %, 10 V, GP, TP, 3216, 3.2	
175	2203-000812	C636	0.033 nF, 5 %, 50 V, NP0, TP, 1005	
176	2203-000812	C637	0.033 nF, 5 %, 50 V, NP0, TP, 1005	
177	2203-000812	C638	0.033 nF, 5 %, 50 V, NP0, TP, 1005	
178	2203-000812	C639	0.033 nF, 5 %, 50 V, NP0, TP, 1005	
179	2203-000812	C640	0.033 nF, 5 %, 50 V, NP0, TP, 1005	
180	2203-000812	C641	0.033 nF, 5 %, 50 V, NP0, TP, 1005	
181	2203-000812	C642	0.033 nF, 5 %, 50 V, NP0, TP, 1005	
182	2203-000812	C643	0.033 nF, 5 %, 50 V, NP0, TP, 1005	
183	2203-000812	C644	0.033 nF, 5 %, 50 V, NP0, TP, 1005	
184	2203-000812	C647	0.033 nF, 5 %, 50 V, NP0, TP, 1005	
185	2203-005065	C651	1000 nF, +80-20 %, 10 V, Y5 V, TP, 1608	
186	2203-000359	C652	0.15 nF, 5 %, 50 V, NP0, TP, 1005	
187	2203-000812	C657	0.033 nF, 5 %, 50 V, NP0, TP, 1005	
188	2203-000386	C658	0.015 nF, 5 %, 50 V, NP0, TP, 1005	
189	2203-000386	C659	0.015 nF, 5 %, 50 V, NP0, TP, 1005	
190	3709-001190	CN400	6P, 2.54 mm, SMD, -	
191	3705-001178	CN500	SMC, JACK, 100M ohm, 50 ohm, .5DB	
192	3722-001530	CN600	5P, 2.6PI, AUF, BLK, -	
193	3711-004623	CN601	BOX, 20P, 2R, 0.5mm, SMD-S, AUF	
194	3711-004623	CN602	BOX, 20P, 2R, 0.5mm, SMD-S, AUF	
195	3710-001653	CN603	18P, 1R, 0.5mm, SMD-A, AUF	
196	3711-004814	CN604	-, 2P, -, 2.5 mm, STRAGHIT, AU0.1U, BLK	
197	3711-004814	CN605	-, 2P, -, 2.5 mm, STRAGHIT, AU0.1U, BLK	

Level	SEC CODE	REFERENCE	DESCRIPTIONS	Remark
198	0407-000115	D200	DAN202U, 80 V, 100 mA, CA2-3, SC-70,	
199	0401-001033	D201	MCL4154, 25 V, 200 mA, M-MELF, TP	
200	0405-001093	D300	MA4ST230, 12 V, -, SOT-23, TP	
201	0401-001033	D402	MCL4154, 25 V, 200 mA, M-MELF, TP	
202	0402-001463	D500	HSMS-2825, 15 V, 1A, SOT-143, TP	
203	0407-000115	D601	DAN202U, 80 V, 100 mA, CA2-3, SC-70,	
204	2903-001211	F300	BP, 14.6 MHz, 300KHz, 6dB, 1dB, TP, -	
205	2904-001165	F301	400 MHZ, .28 MHZ, +-70KHZ, TP, 6.5DB, -	
206	2904-001096	F500	1.8425GHz, 75 MHz, +-37.5 MHz/2.5dB	
207	2904-001281	F501	947.5 MHz, 25 MHz, +-12.5 MHz/1.4dB	
208	2703-000310	L100	1.8 uH, 10 %, 0.8 x 1.6 x 0.8 mm	
209	2703-001543	L300	33 nH, 5 %, 1.8 x 1.12 x 1.02 mm	
210	2703-001513	L301	100 nH, 5 %, 1.8 x 1.12 x 1.02 mm	
211	2703-002214	L302	8.2 nH, 5 %, 1.6 x 0.8 x 0.8 mm	
212	2703-001513	L303	100 nH, 5 %, 1.8 x 1.12 x 1.02 mm	
213	2703-001545	L304	47 nH, 5 %, 1.8 x 1.12 x 1.02 mm	
214	2703-001543	L305	33 nH, 5 %, 1.8 x 1.12 x 1.02 mm	
215	2703-001547	L306	10 nH, 5 %, 1.8 x 1.12 x 1.02 mm	
216	2703-001547	L307	10 nH, 5 %, 1.8 x 1.12 x 1.02 mm	
217	2703-001547	L308	10 nH, 5 %, 1.8 x 1.12 x 1.02 mm	
218	2703-002218	L400	100 uH, 20 %, 3.3 x 1.5 x 0.8 mm	
219	2703-001954	L501	2.7 nH, 0.3 nH, 1.0 x 0.5 x 0.5mm	
220	2703-002213	L502	3.3 nH, 5 %, 1.6 x 0.8 x 0.8 mm	
221	2703-002212	L503	1.6 nH, 5 %, 1.6 x 0.8 x 0.8 mm	
222	2703-001425	L504	68 nH, 5 %, 1.6 x 0.8 x 0.8 mm	
223	2703-002213	L505	3.3 nH, 5 %, 1.6 x 0.8 x 0.8 mm	
224	2703-001547	L506	10 nH, 5 %, 1.8 x 1.12 x 1.02 mm	
225	2703-001425	L507	68 nH, 5 %, 1.6 x 0.8 x 0.8 mm	
226	2703-000175	L600	270 nH, 10 %, 0.8 x 1.6 x 0.8 mm	
227	3301-001208	L602	AB, 1.6 x 0.8 x 0.8 mm, -, -	
228	2703-001297	L603	10 nH, 10 %, 1.6 x 0.8 x 0.8 mm	
229	4709-001144	LAM1	897.5/1747.5 MHZ, 19DB/14DB	

Level	SEC CODE	REFERENCE	DESCRIPTIONS	Remark
230	0604-001146	LED600	-, 875NM, 500 mW, 30DEG, TP	
231	2801-003695	OSC100	19.5 MHz, 10ppm, 28-ABK, 10.2 pF, 20	
232	2801-004025	OSC200	0.032768 MHz, 20 ppm, 28-ABK, 1.7fF, 65 kohm, TP	
233	2806-001191	OSC300	1258-1360 MHZ, -, 50 ohm, TP, 2.7 V, 20 mA	
234	0501-000162	Q200	2SA1576, PNP, 200 mW, SOT-323, TP, 180-390	
235	0504-000167	Q201	RN1102, NPN, 100 mW, 10K/10K, SSM, TP	
236	0504-001012	Q202	DTC114YE, NPN, 150 mW, 10K/47K, EMT3, TP	
237	0504-001012	Q203	DTC114YE, NPN, 150 mW, 10K/47K, EMT3, TP	
238	0501-002356	Q204	-, NPN, 250 mW, SOT-323, TP, 250-630	
239	0501-002357	Q400	ZUMT619, NPN, 500 mW, SOT-323, TP, 200-	
240	0501-002202	Q401	MMBT2222AWT1, NPN, 150 mW, SOT-323	
241	0504-001012	Q500	DTC114YE, NPN, 150 mW, 10K/47K, EMT3, TP	
242	0504-001012	Q501	DTC114YE, NPN, 150 mW, 10K/47K, EMT3, TP	
243	0504-000168	Q600	RN1104, NPN, 100 mW, 47K/47K, SSM, TP	
244	0501-002346	Q601	2SB1427, PNP, 500 mW, SOT-89, TP, 390-820	
245	0501-002356	Q603	-, NPN, 250 mW, SOT-323, TP, 250-630	
246	0506-001052	Q604	UMH9N, NPN, 2, 150 mW, SC-88, TP, 68-	
247	0504-001012	Q605	DTC114YE, NPN, 150 mW, 10K/47K, EMT3, TP	
248	2007-000140	R100	1 kohm, 5 %, 1/16 W, DA, TP, 1005	
249	2007-000140	R101	1 kohm, 5 %, 1/16 W, DA, TP, 1005	
250	2007-007771	R102	0 ohm, 5 %, 1/16 W, DA, TP, 1005	
251	2007-001313	R103	330 ohm, 5 %, 1/16 W, DA, TP, 1005	
252	2007-007092	R104	1.1 kohm, 5 %, 1/16 W, DA, TP, 1005	
253	2007-000775	R105	33 kohm, 5 %, 1/16 W, DA, TP, 1005	
254	2007-007468	R106	121 kohm, 1 %, 1/16 W, DA, TP, 1005	
255	2007-007092	R107	1.1 kohm, 5 %, 1/16 W, DA, TP, 1005	
256	2007-000140	R200	1 kohm, 5 %, 1/16 W, DA, TP, 1005	
257	2007-000148	R203	10 kohm, 5 %, 1/16 W, DA, TP, 1005	
258	2007-000148	R204	10 kohm, 5 %, 1/16 W, DA, TP, 1005	
259	2007-000148	R205	10 kohm, 5 %, 1/16 W, DA, TP, 1005	
260	2007-000148	R206	10 kohm, 5 %, 1/16 W, DA, TP, 1005	
261	2007-000137	R207	2 kohm, 5 %, 1/16 W, DA, TP, 1005	



Electrical Parts List

Level	SEC CODE	REFERENCE	DESCRIPTIONS	Remark
262	2007-000148	R209	10 kohm, 5 %, 1/16 W, DA, TP, 1005	
263	2007-000148	R211	10 kohm, 5 %, 1/16 W, DA, TP, 1005	
264	2007-000148	R212	10 kohm, 5 %, 1/16 W, DA, TP, 1005	
265	2007-000148	R213	10 kohm, 5 %, 1/16 W, DA, TP, 1005	
266	2007-000148	R214	10 kohm, 5 %, 1/16 W, DA, TP, 1005	
267	2007-000148	R215	10 kohm, 5 %, 1/16 W, DA, TP, 1005	
268	2007-000138	R216	100 ohm, 5 %, 1/16 W, DA, TP, 1005	
269	2007-007771	R217	0 ohm, 5 %, 1/16 W, DA, TP, 1005	
270	2007-000170	R218	1 Mohm, 5 %, 1/16 W, DA, TP, 1005	
271	2007-001313	R219	330 ohm, 5 %, 1/16 W, DA, TP, 1005	
272	2007-001313	R220	330 ohm, 5 %, 1/16 W, DA, TP, 1005	
273	2007-007193	R223	5.1 ohm, 5 %, 1/16 W, DA, TP, 1005	
274	2007-000932	R228	470 ohm, 5 %, 1/16 W, DA, TP, 1005	
275	2007-007771	R280	0 ohm, 5 %, 1/16 W, DA, TP, 1005	
276	2007-000932	R281	470 ohm, 5 %, 1/16 W, DA, TP, 1005	
277	2007-001288	R300	18 ohm, 5 %, 1/16 W, DA, TP, 1005	
278	2007-001288	R301	18 ohm, 5 %, 1/16 W, DA, TP, 1005	
279	2007-001323	R302	3 kohm, 5 %, 1/16 W, DA, TP, 1005	
280	2007-000172	R303	10 ohm, 5 %, 1/16 W, DA, TP, 1005	
281	2007-000172	R304	10 ohm, 5 %, 1/16 W, DA, TP, 1005	
282	2007-001288	R305	18 ohm, 5 %, 1/16 W, DA, TP, 1005	
283	2007-001323	R306	3 kohm, 5 %, 1/16 W, DA, TP, 1005	
284	2007-008213	R307	4.3 kohm, 1 %, 1/16 W, DA, TP, 1005	
285	2007-007001	R308	3.9 kohm, 5 %, 1/16 W, DA, TP, 1005	
286	2007-002965	R309	15 ohm, 5 %, 1/16 W, DA, TP, 1005	
287	2007-001298	R310	51 ohm, 5 %, 1/16 W, DA, TP, 1005	
288	3301-001342	R311	AB, 1.5 kohm, 1 x 0.5 x 0.5 mm, 100 mA, TP, M, 1.4ohm	
289	2007-000146	R312	6.8 kohm, 5 %, 1/16 W, DA, TP, 1005	
290	2007-000138	R313	100 ohm, 5 %, 1/16 W, DA, TP, 1005	
291	2007-007136	R314	4.7 kohm, 1 %, 1/16 W, DA, TP, 1005	
292	3301-001342	R315	AB, 1.5 kohm, 1 x 0.5 x 0.5 mm, 100 mA, TP, M, 1.4ohm	
293	2007-001298	R316	51 ohm, 5 %, 1/16 W, DA, TP, 1005	

Level	SEC CODE	REFERENCE	DESCRIPTIONS	Remark
294	2007-002965	R317	15 ohm, 5 %, 1/16 W, DA, TP, 1005	
295	3301-001342	R318	AB, 1.5 kohm, 1 x 0.5 x 0.5 mm, 100 mA, TP, M, 1.4ohm	
296	2007-007771	R403	0 ohm, 5 %, 1/16 W, DA, TP, 1005	
297	2007-000162	R404	100 kohm, 5 %, 1/16 W, DA, TP, 1005	
298	2007-000143	R407	4.7 kohm, 5 %, 1/16 W, DA, TP, 1005	
299	2007-000143	R409	4.7 kohm, 5 %, 1/16 W, DA, TP, 1005	
300	2007-000138	R410	100 ohm, 5 %, 1/16 W, DA, TP, 1005	
301	2007-007156	R411	1 ohm, 5 %, 1/16 W, DA, TP, 1005	
302	2007-000138	R412	100 ohm, 5 %, 1/16 W, DA, TP, 1005	
303	2007-000141	R413	2.2 kohm, 5 %, 1/16 W, DA, TP, 1005	
304	2007-000157	R414	47 kohm, 5 %, 1/16 W, DA, TP, 1005	
305	2007-000140	R500	1 kohm, 5 %, 1/16 W, DA, TP, 1005	
306	2007-000070	R501	0 ohm, 5 %, 1/16 W, DA, TP, 1608	
307	2007-000140	R502	1 kohm, 5 %, 1/16 W, DA, TP, 1005	
308	2007-000148	R503	10 kohm, 5 %, 1/16 W, DA, TP, 1005	
309	2007-000148	R505	10 kohm, 5 %, 1/16 W, DA, TP, 1005	
310	2007-001298	R506	51 ohm, 5 %, 1/16 W, DA, TP, 1005	
311	2007-007193	R507	5.1 ohm, 5 %, 1/16 W, DA, TP, 1005	
312	2007-001298	R508	51 ohm, 5 %, 1/16 W, DA, TP, 1005	
313	2007-007193	R509	5.1 ohm, 5 %, 1/16 W, DA, TP, 1005	
314	2007-000148	R510	10 kohm, 5 %, 1/16 W, DA, TP, 1005	
315	2007-000137	R511	2 kohm, 5 %, 1/16 W, DA, TP, 1005	
316	2007-007142	R512	10 kohm, 1 %, 1/16 W, DA, TP, 1005	
317	2007-007312	R513	20 kohm, 1 %, 1/16 W, DA, TP, 1005	
318	2007-001308	R514	200 ohm, 5 %, 1/16 W, DA, TP, 1005	
319	2007-007142	R515	10 kohm, 1 %, 1/16 W, DA, TP, 1005	
320	2007-007142	R516	10 kohm, 1 %, 1/16 W, DA, TP, 1005	
321	2007-007142	R517	10 kohm, 1 %, 1/16 W, DA, TP, 1005	
322	2007-001305	R518	120 ohm, 5 %, 1/16 W, DA, TP, 1005	
323	2007-007142	R519	10 kohm, 1 %, 1/16 W, DA, TP, 1005	
324	2007-007142	R520	10 kohm, 1 %, 1/16 W, DA, TP, 1005	
325	2007-007142	R521	10 kohm, 1 %, 1/16 W, DA, TP, 1005	

Electrical Parts List

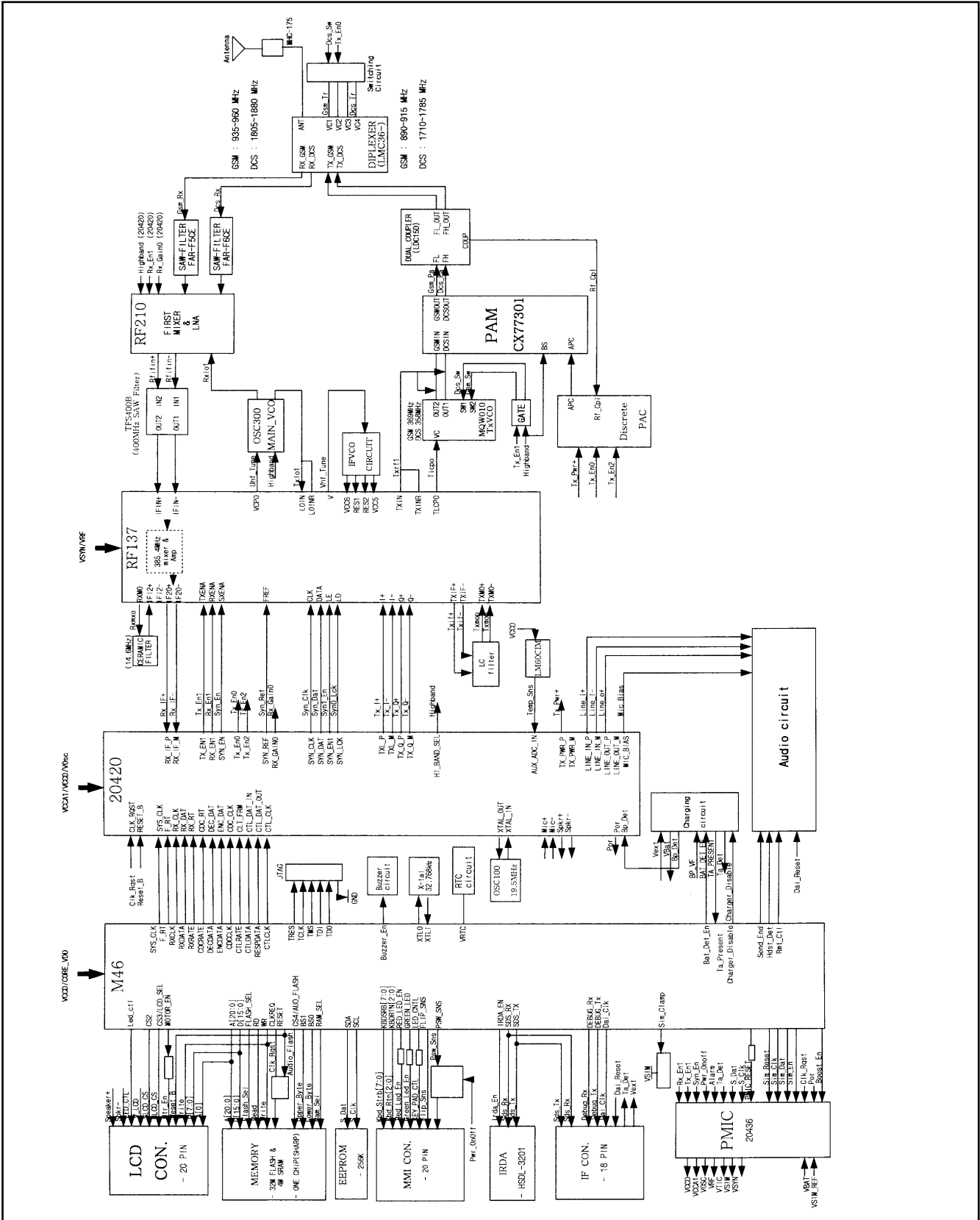
Level	SEC CODE	REFERENCE	DESCRIPTIONS	Remark
326	2007-000137	R522	2 kohm, 5 %, 1/16 W, DA, TP, 1005	
327	2007-001306	R523	150 ohm, 5 %, 1/16 W, DA, TP, 1005	
328	2007-001308	R524	200 ohm, 5 %, 1/16 W, DA, TP, 1005	
329	2007-000170	R525	1M ohm, 5 %, 1/16 W, DA, TP, 1005	
330	2007-007771	R526	0 ohm, 5 %, 1/16 W, DA, TP, 1005	
331	2007-007095	R527	390 ohm, 5 %, 1/16 W, DA, TP, 1005	
332	2007-000139	R528	220 ohm, 5 %, 1/16 W, DA, TP, 1005	
333	2007-000140	R529	1 kohm, 5 %, 1/16 W, DA, TP, 1005	
334	2007-000148	R530	10 kohm, 5 %, 1/16 W, DA, TP, 1005	
335	2007-000145	R531	6.2 kohm, 5 %, 1/16 W, DA, TP, 1005	
336	2007-008263	R532	3 kohm, 1 %, 2 W, -, TP, 1005	
337	2007-000140	R601	1 kohm, 5 %, 1/16 W, DA, TP, 1005	
338	2007-001301	R604	68 ohm, 5 %, 1/16 W, DA, TP, 1005	
339	2007-000142	R605	2.7 kohm, 5 %, 1/16 W, DA, TP, 1005	
340	2007-000165	R607	200 kohm, 5 %, 1/16 W, DA, TP, 1005	
341	2007-000162	R609	100 kohm, 5 %, 1/16 W, DA, TP, 1005	
342	2007-000148	R610	10 kohm, 5 %, 1/16 W, DA, TP, 1005	
343	2007-000142	R611	2.7 kohm, 5 %, 1/16 W, DA, TP, 1005	
344	2007-000162	R612	100 kohm, 5 %, 1/16 W, DA, TP, 1005	
345	2007-000140	R613	1 kohm, 5 %, 1/16 W, DA, TP, 1005	
346	2007-000140	R616	1 kohm, 5 %, 1/16 W, DA, TP, 1005	
347	2007-000154	R619	24 kohm, 5 %, 1/16 W, DA, TP, 1005	
348	2007-001119	R620	680 ohm, 5 %, 1/16 W, DA, TP, 1005	
349	2007-000165	R621	200 kohm, 5 %, 1/16 W, DA, TP, 1005	
350	2007-007771	R634	0 ohm, 5 %, 1/16 W, DA, TP, 1005	
351	2007-001306	R635	150 ohm, 5 %, 1/16 W, DA, TP, 1005	
352	2007-007316	R637	3.3 kohm, 1 %, 1/16 W, DA, TP, 1005	
353	2007-000140	R638	1 kohm, 5 %, 1/16 W, DA, TP, 1005	
354	2007-000140	R639	1 kohm, 5 %, 1/16 W, DA, TP, 1005	
355	2007-000140	R640	1 kohm, 5 %, 1/16 W, DA, TP, 1005	
356	2007-000162	R641	100 kohm, 5 %, 1/16 W, DA, TP, 1005	
357	2007-000140	R642	1 kohm, 5 %, 1/16 W, DA, TP, 1005	

Level	SEC CODE	REFERENCE	DESCRIPTIONS	Remark
358	2007-007592	R643	270 kohm, 1 %, 1/16 W, DA, TP, 1005	
359	2007-007875	R644	160 kohm, 1 %, 1/16 W, DA, TP, 1005	
360	2007-000153	R646	22 kohm, 5 %, 1/16 W, DA, TP, 1005	
361	2007-000148	R648	10 kohm, 5 %, 1/16 W, DA, TP, 1005	
362	2007-000070	R649	0 ohm, 5 %, 1/16 W, DA, TP, 1608	
363	2007-007771	R650	0 ohm, 5 %, 1/16 W, DA, TP, 1005	
364	2007-007771	R651	0 ohm, 5 %, 1/16 W, DA, TP, 1005	
365	1205-001708	U100	20420, BGA, 100P, -, PLASTIC	
366	0902-001231	U201	46, 16BIT, BGA, 180P, -, 32.768 MHZ	
367	1203-001592	U202	1015, SOT-23A-5, 5P, 59MIL, PLASTI	
368	1205-001647	U300	RF137, TQFP, 48P, 275MIL	
369	1203-001703	U400	20436, TQFP, 48P, 275MIL, PLASTIC, 2.8V	
370	1203-002099	U401	5245, SOT-23-5, 5P, 64MIL	
371	0504-001042	U500	BCR10PN, NPN/PNP, 250 mW, 10K/10K,	
372	0504-001042	U501	BCR10PN, NPN/PNP, 250 mW, 10K/10K,	
373	0504-001042	U502	BCR10PN, NPN/PNP, 250 mW, 10K/10K,	
374	0504-001012	U503	DTC114YE, NPN, 150 mW, 10K/47K, EMT3, TP	
375	2909-001084	U505	942.5 MHZ, 897.5 MHZ, 1/1.2DB, TP, -, -	
376	2007-000137	U506	2 kohm, 5 %, 1/16 W, DA, TP, 1005	
377	1201-001697	U507	RF210-51, TSSOP, 20P, 173MIL	
378	1201-001753	U508	MSOP, TP, 8P, 118MIL, DUAL	
379	0504-001042	U509	BCR10PN, NPN/PNP, 250 mW, 10K/10K,	
380	1201-001754	U510	MCM, 16P, -, -, -, PLASTIC, 7V	
381	1209-001219	U511	LM60C, SOT-23, 3P, 115MIL, PLASTIC	
382	0801-002640	U512	7WZ00, 2-INPUT NAND GATE, US8, 8P	
383	2806-001192	U513	902.5/1747.5 MHz, -, -, TP, 2.7 V, 50 mA	
384	1106-001301	U514	1337, 262K x 16Bit, CSP, 72P	
385	1103-001147	U515	24256, 256KBIT, SOP, 8P, 150MIL	
386	0506-001052	U600	UMH9N, NPN, 2, 150 mW, SC-88, TP, 68-	
387	1201-001462	U602	4864, MSOP, 8P, 118MIL-	
388	0504-001071	U603	UMD9N, NPN/PNP, 150 mW, 4.7, UMT6, TP	
389	1203-002127	U605	1734, SOT-23, 6P, 150MIL	

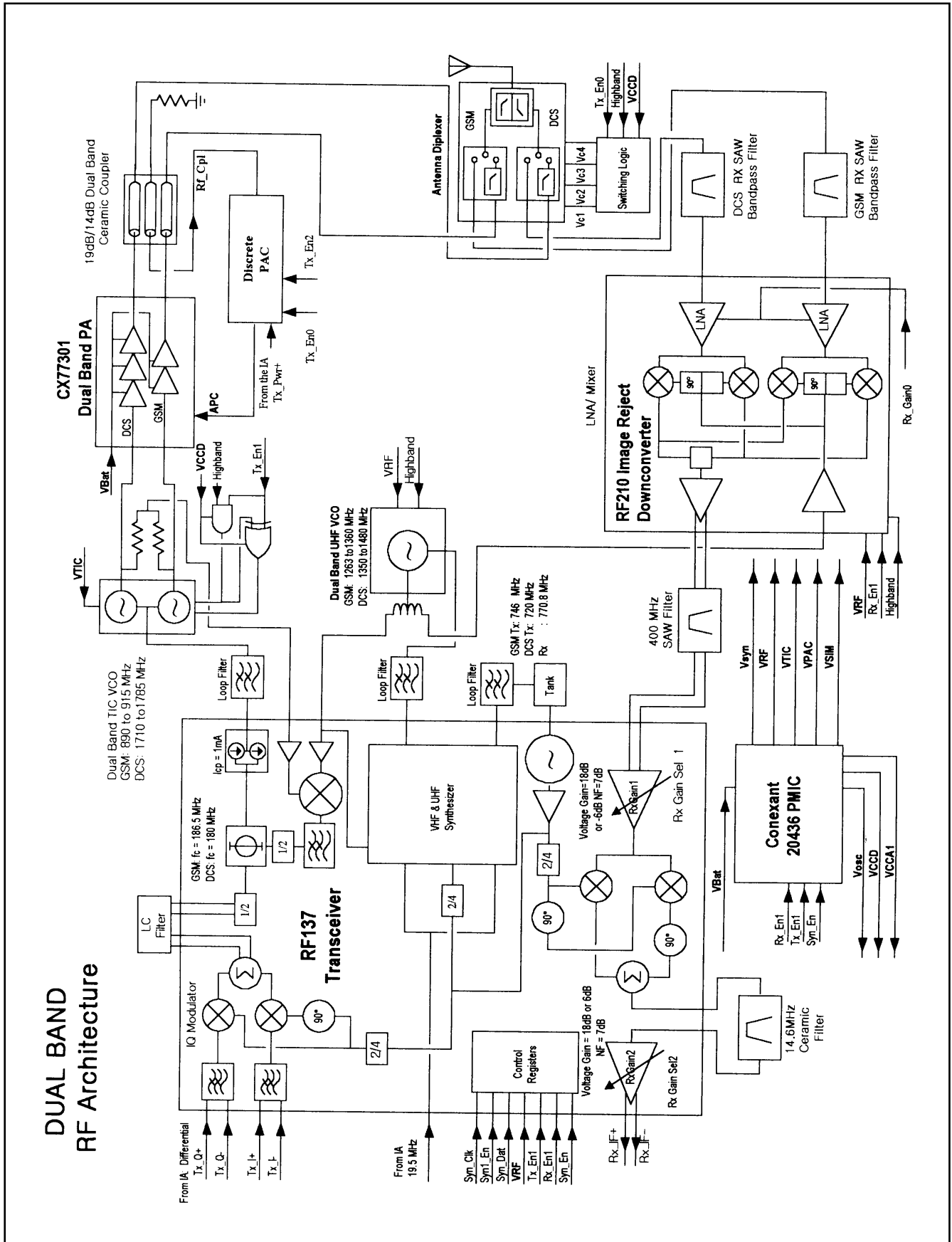
Level	SEC CODE	Design LOC	DESCRIPTIONS	Remark
390	0801-002641	U8016	7WZ08, 2-INPUT AND GATE, US8, 8P	
391	0506-001052	U8021	UMH9N, NPN, 2, 150 mW, SC-88, TP, 68-	
392	0406-001104	U8022	ESDA6V1-5W6, 6.1/-/7.2 V, 100 W, SOT-323-6L	
393	1405-001082	V600	5.6 V, 20A, 1 x 0.5 x 0.6 mm, TP	
394	1405-001082	V601	5.6 V, 20A, 1 x 0.5 x 0.6 mm, TP	
395	1405-001082	V605	5.6 V, 20A, 1 x 0.5 x 0.6 mm, TP	
396	1405-001082	V615	5.6 V, 20A, 1 x 0.5 x 0.6 mm, TP	
397	1405-001082	V616	5.6 V, 20A, 1 x 0.5 x 0.6 mm, TP	
398	1405-001082	V617	5.6 V, 20A, 1 x 0.5 x 0.6 mm, TP	
399	1405-001082	V618	5.6 V, 20A, 1 x 0.5 x 0.6 mm, TP	
400	1405-001082	V619	5.6 V, 20A, 1 x 0.5 x 0.6 mm, TP	
401	1405-001082	V620	5.6 V, 20A, 1 x 0.5 x 0.6 mm, TP	
402	1405-001082	V621	5.6 V, 20A, 1 x 0.5 x 0.6 mm, TP	
403	1405-001082	V622	5.6 V, 20A, 1 x 0.5 x 0.6 mm, TP	
404	0404-001044	ZD400	UPS5817, 20 V, 1A, SMD, TP	
405	0404-000108	ZD401	RB705D, 20 V, 30 mA, SOT-23, TP	
406	0404-000108	ZD402	RB705D, 20 V, 30 mA, SOT-23, TP	
407	0406-001104	ZD602	ESDA6V1-5W6, 6.1/-/7.2 V, 100 W, SOT-323-6L	
408	0406-001104	ZD603	ESDA6V1-5W6, 6.1/-/7.2 V, 100 W, SOT-323-6L	
409	0406-001104	ZD604	ESDA6V1-5W6, 6.1/-/7.2 V, 100 W, SOT-323-6L	
410	0406-001104	ZD605	ESDA6V1-5W6, 6.1/-/7.2 V, 100 W, SOT-323-6L	

# 3. SGH-A300 Block Diagrams

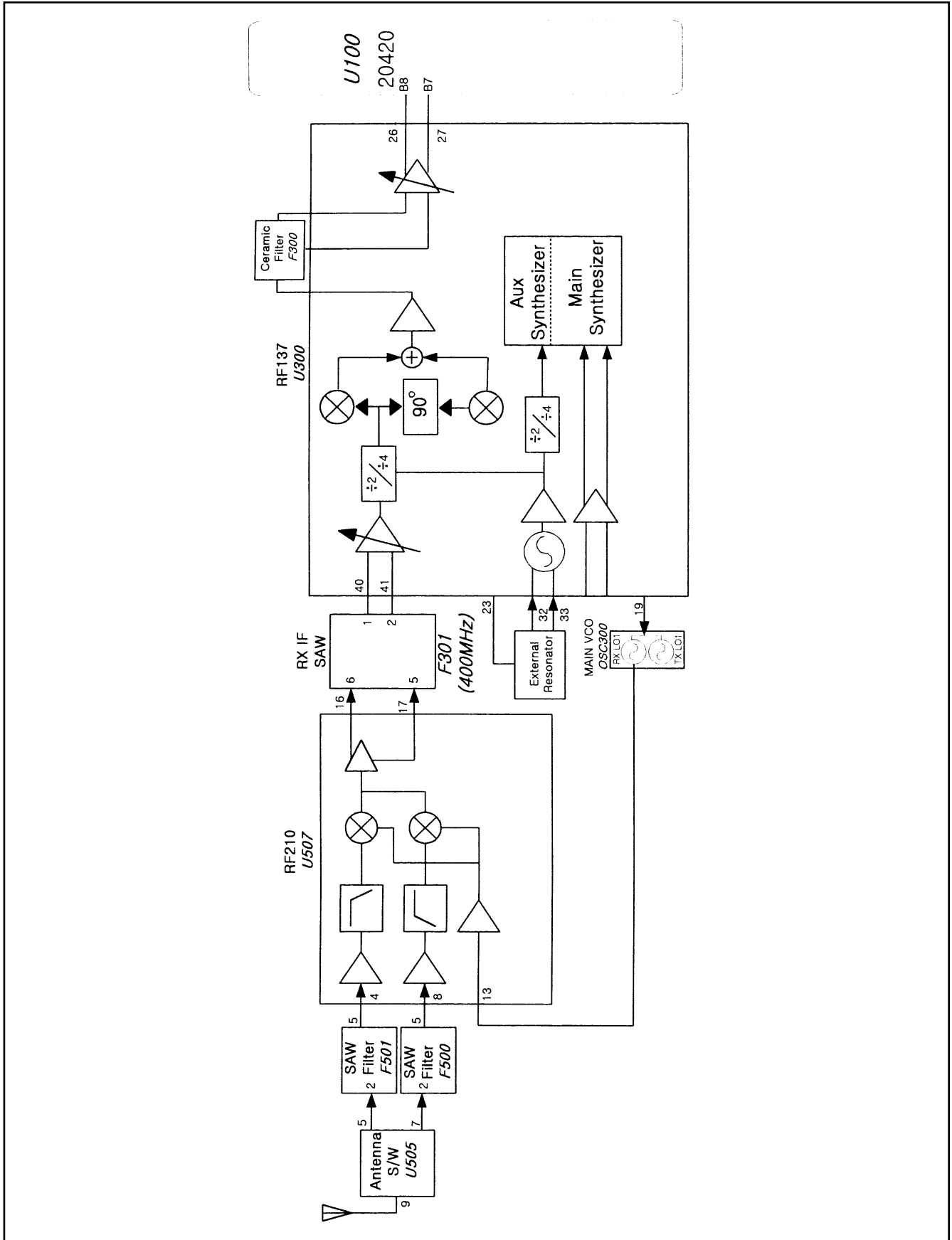
## 3-1 SGH-A300 Main Block Diagram



### 3-2 SGH-A300 Main RF Block Diagram

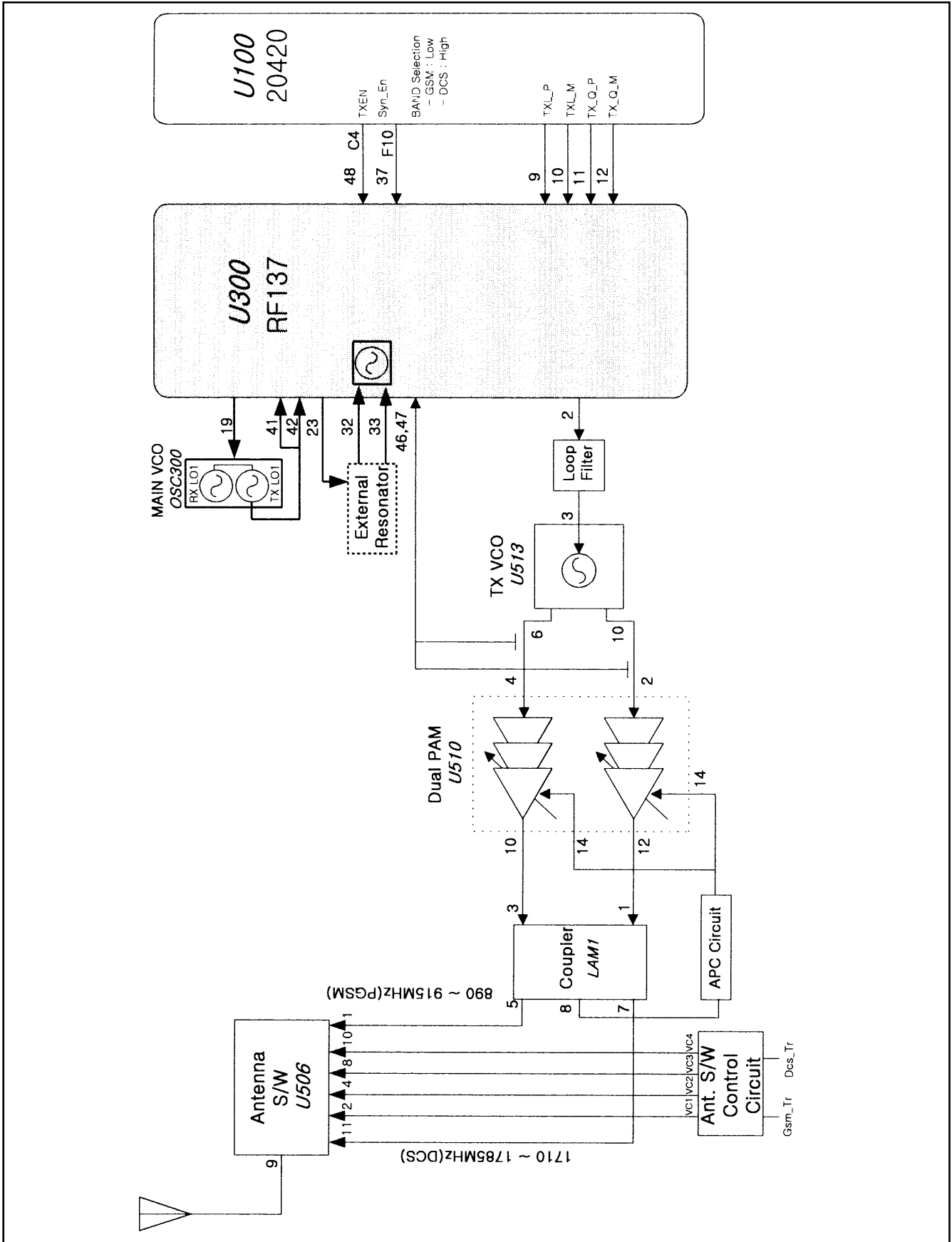


### 3-2-1 SGH-A300 RF Receive Part Block Diagram



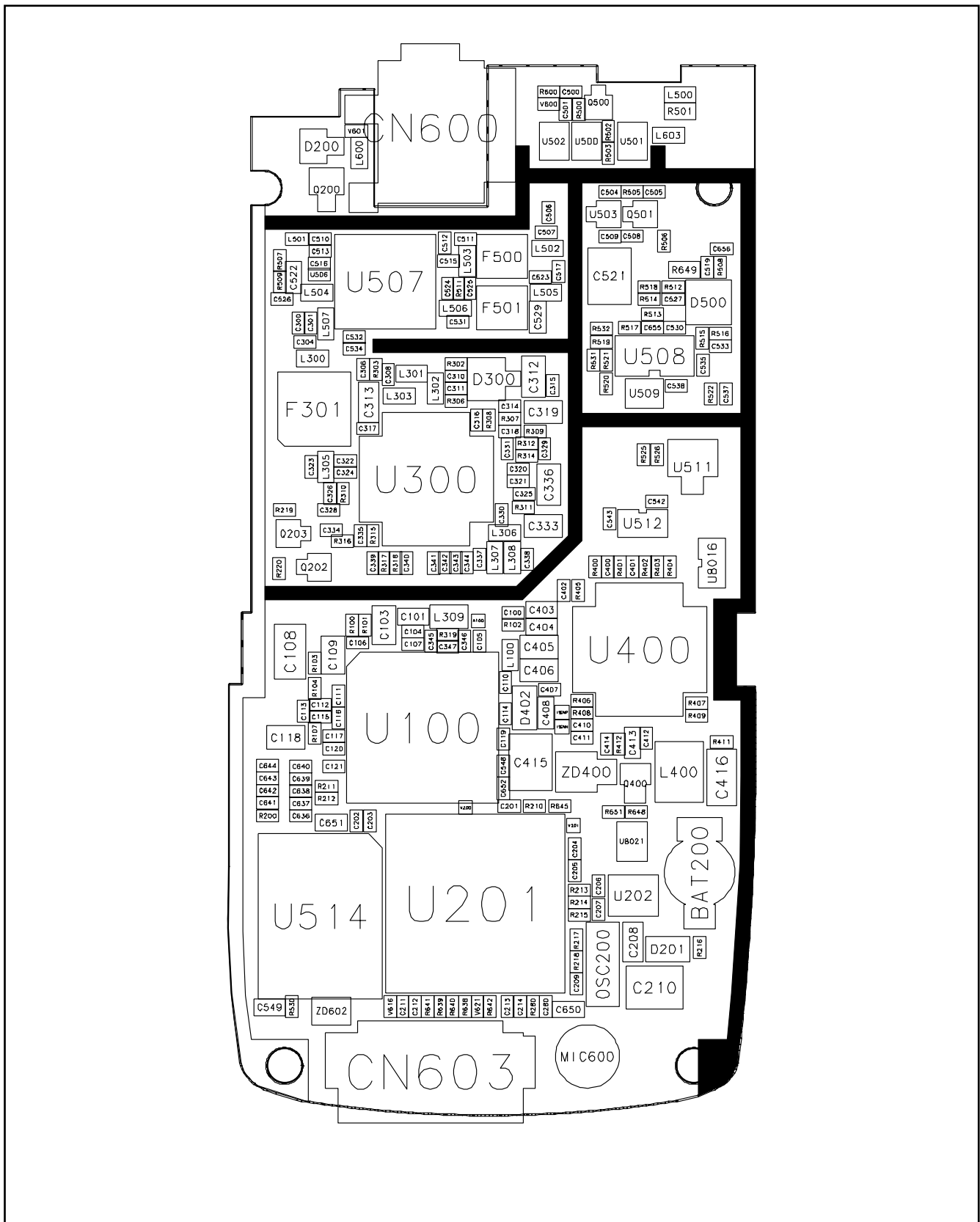


### 3-2-2 SGH-A300 RF Transmit Part Block Diagram

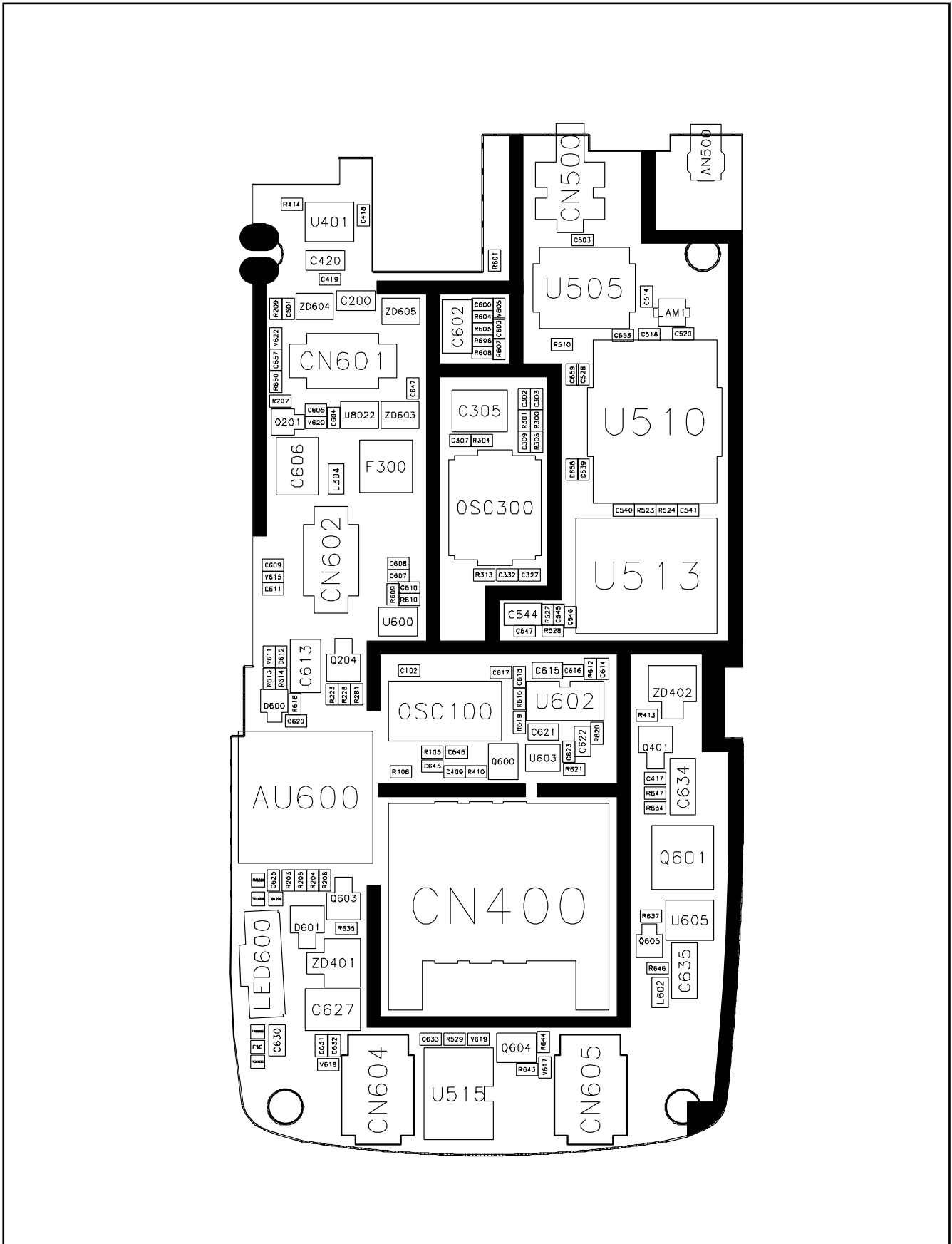


# 4. SGH-A300 PCB Diagrams

## 4-1 SGH-A300 Main PCB Top Diagram

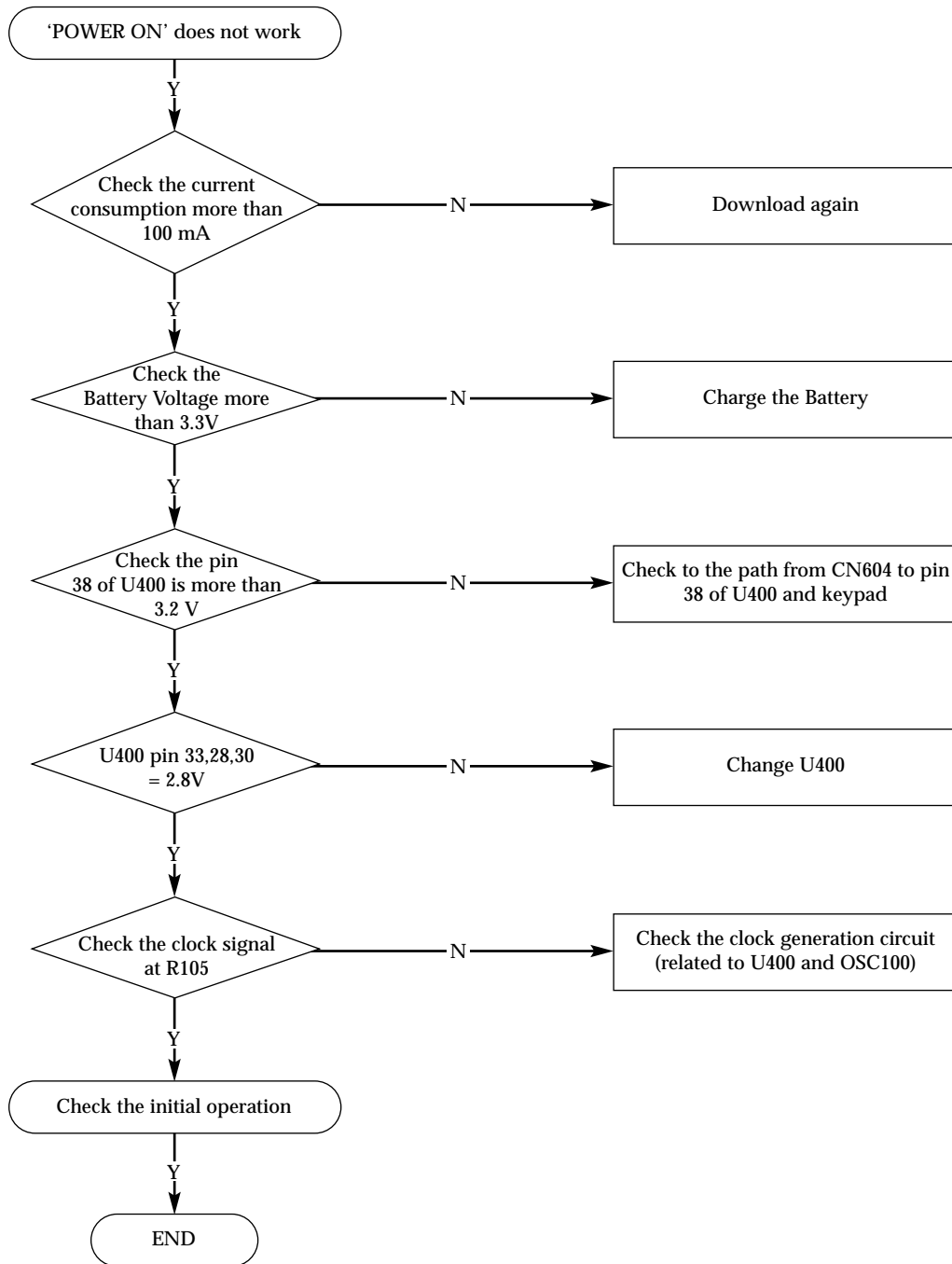


### 4-2 SGH-A300 Main PCB Bottom Diagram

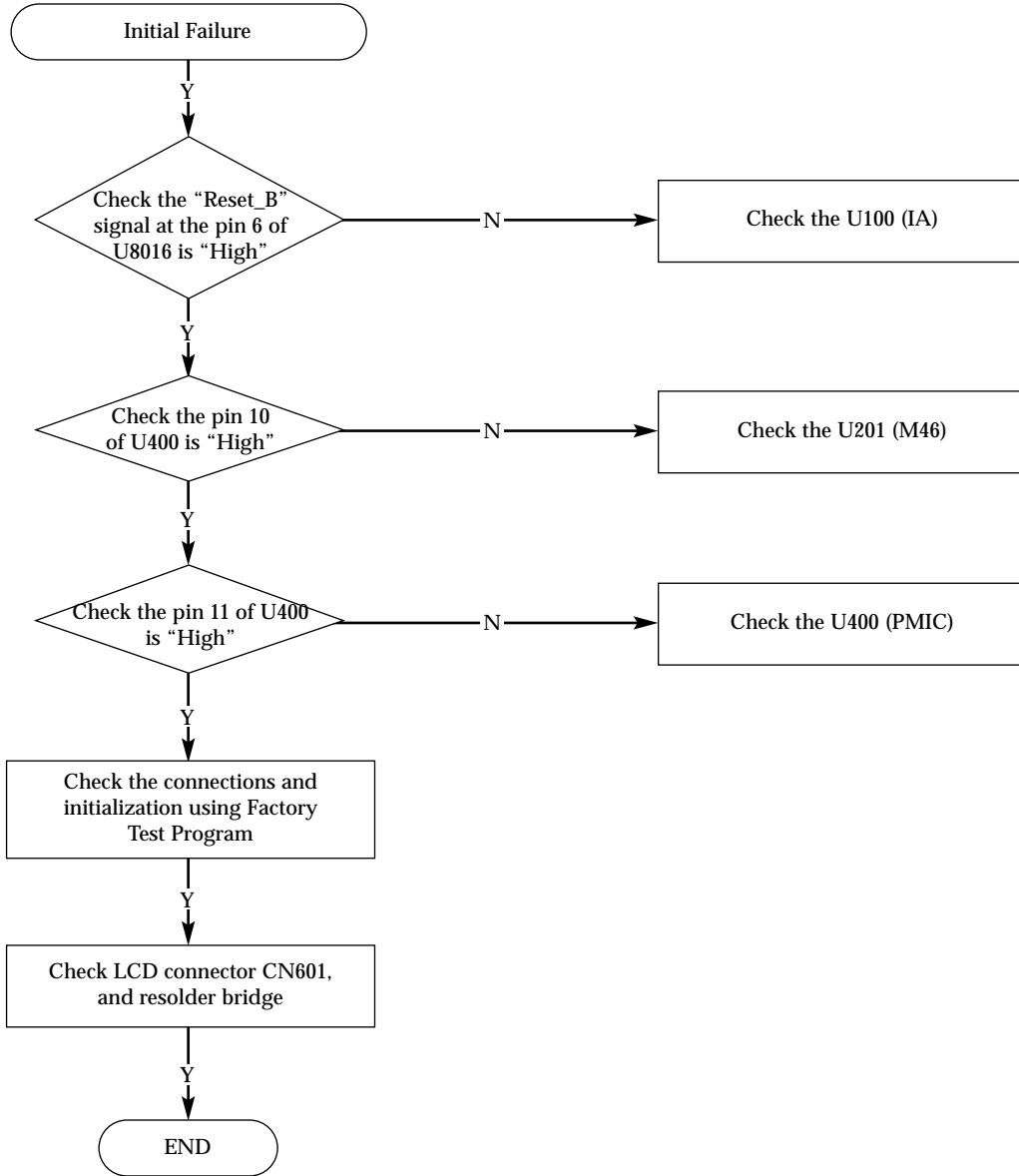


# 5. Flow Chart of Troubleshooting and Circuit Diagram

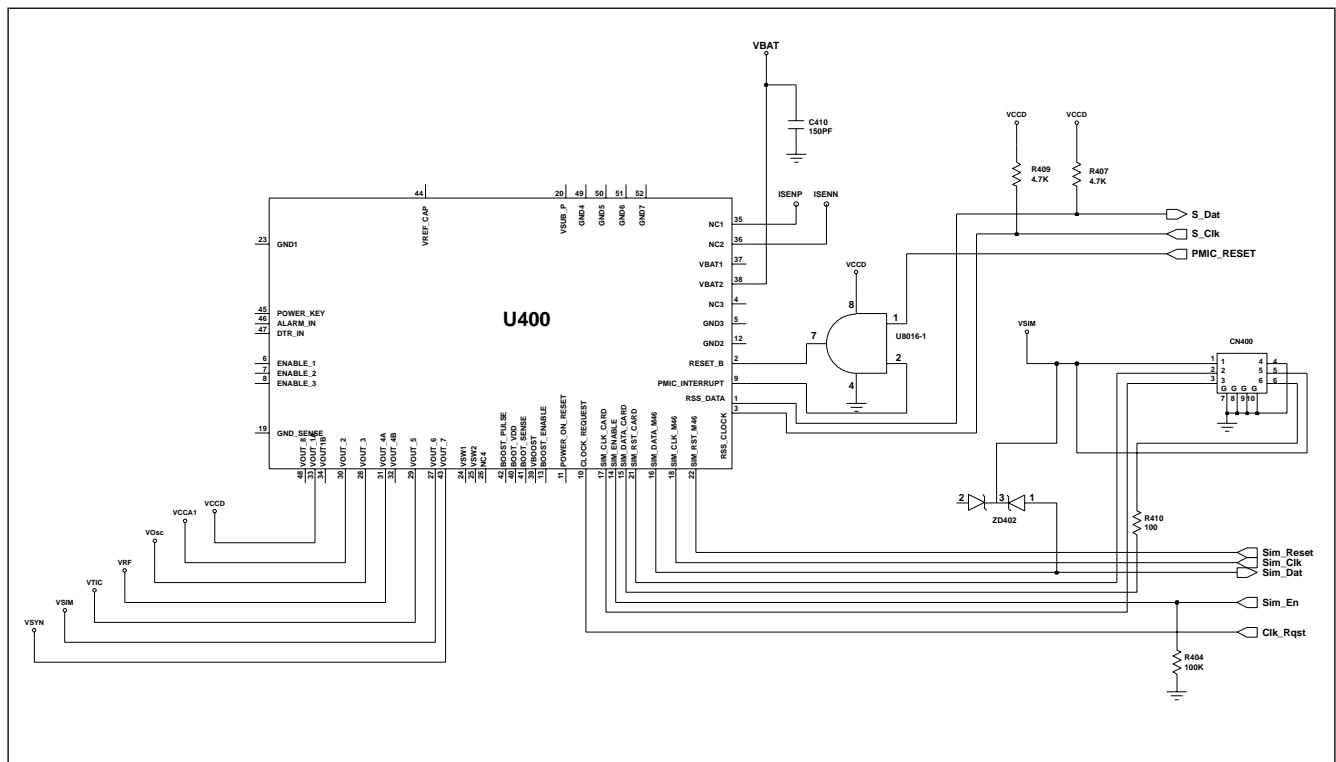
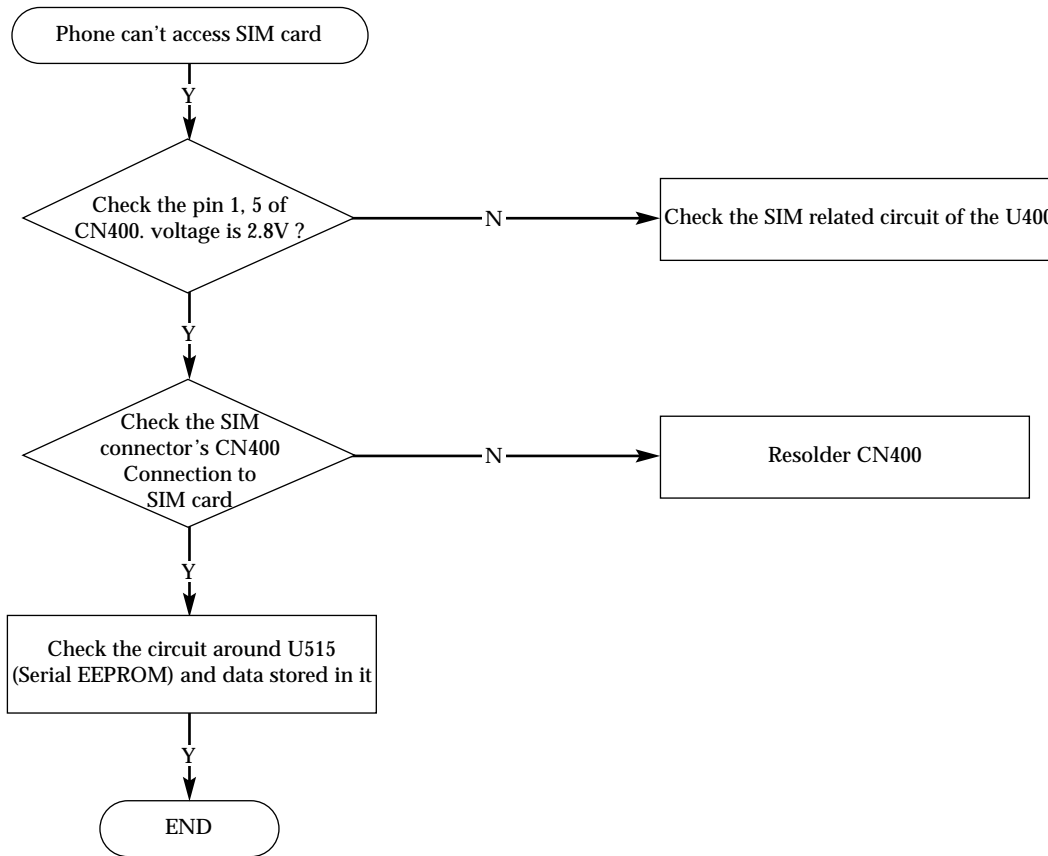
## 5-1 SGH-A300 Power ON



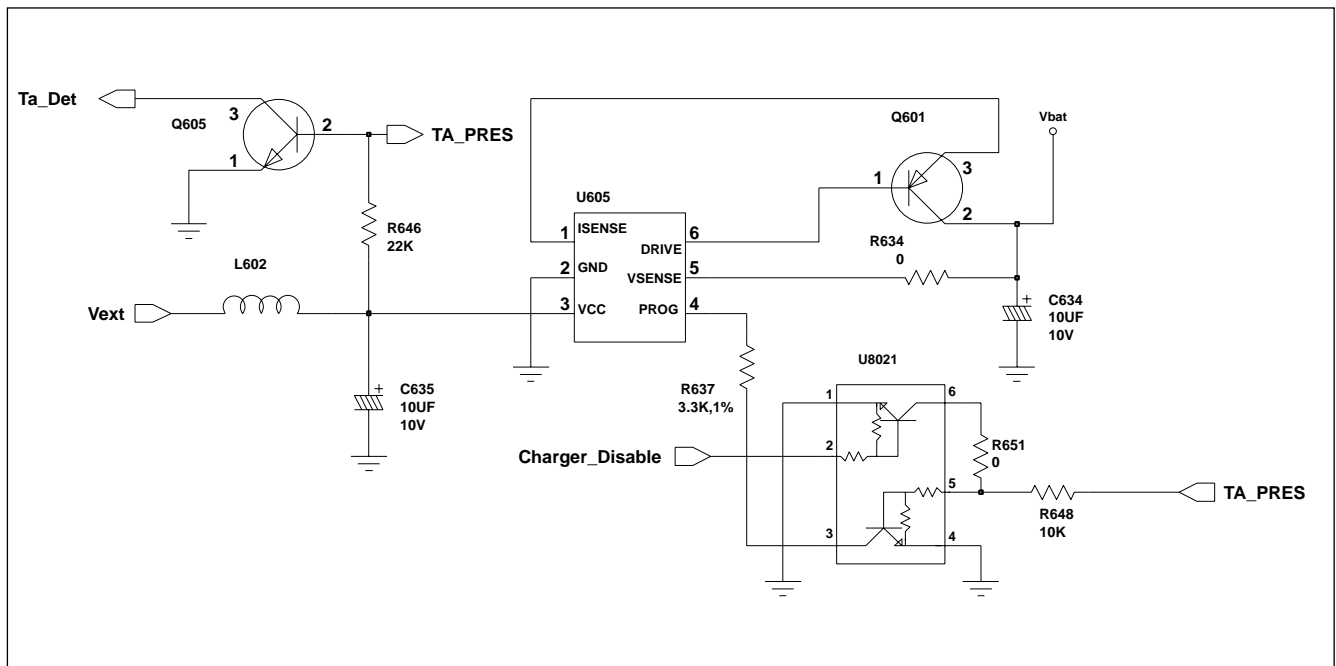
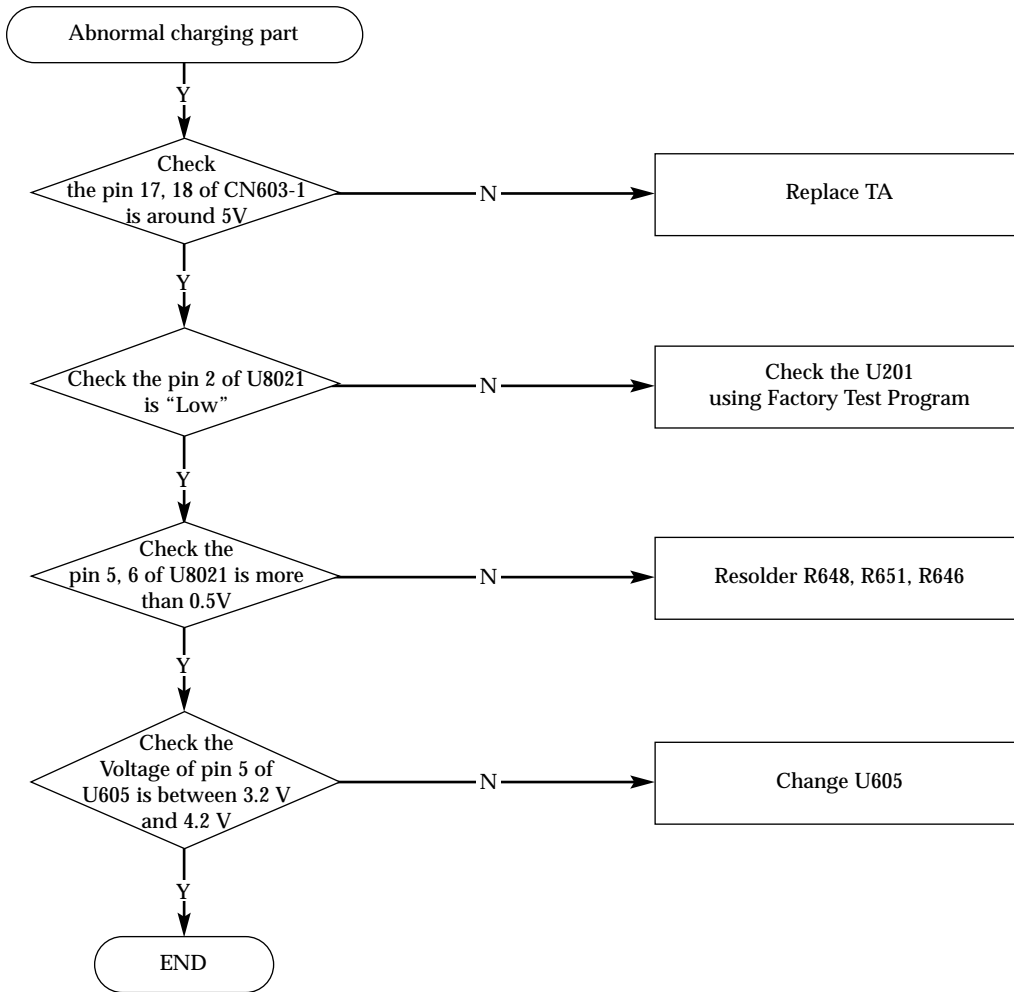
## 5-2 SGH-A300 Initial



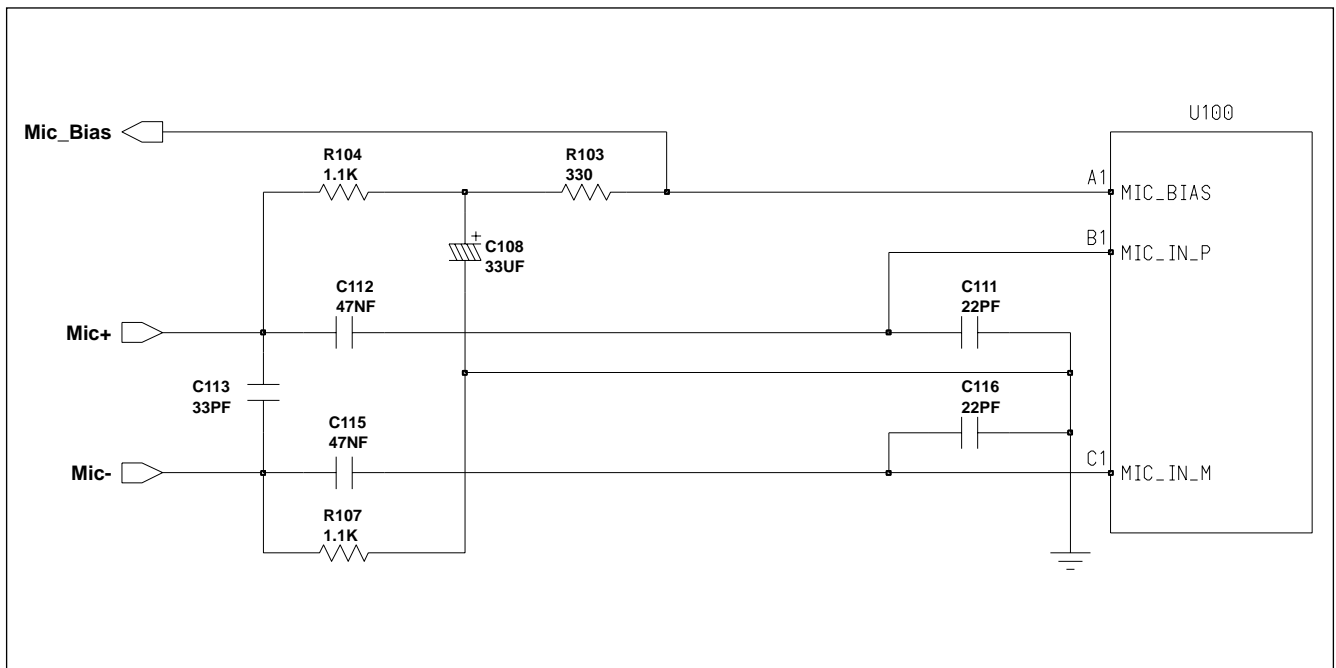
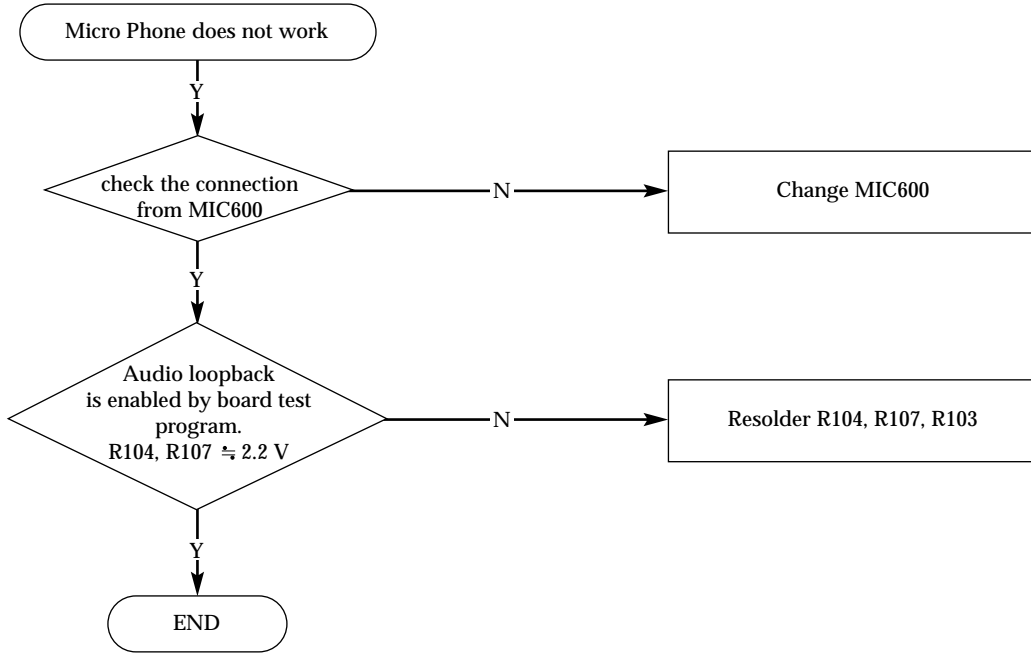
### 5-3 SGH-A300 Sim Part



### 5-4 SGH-A300 Charging Part

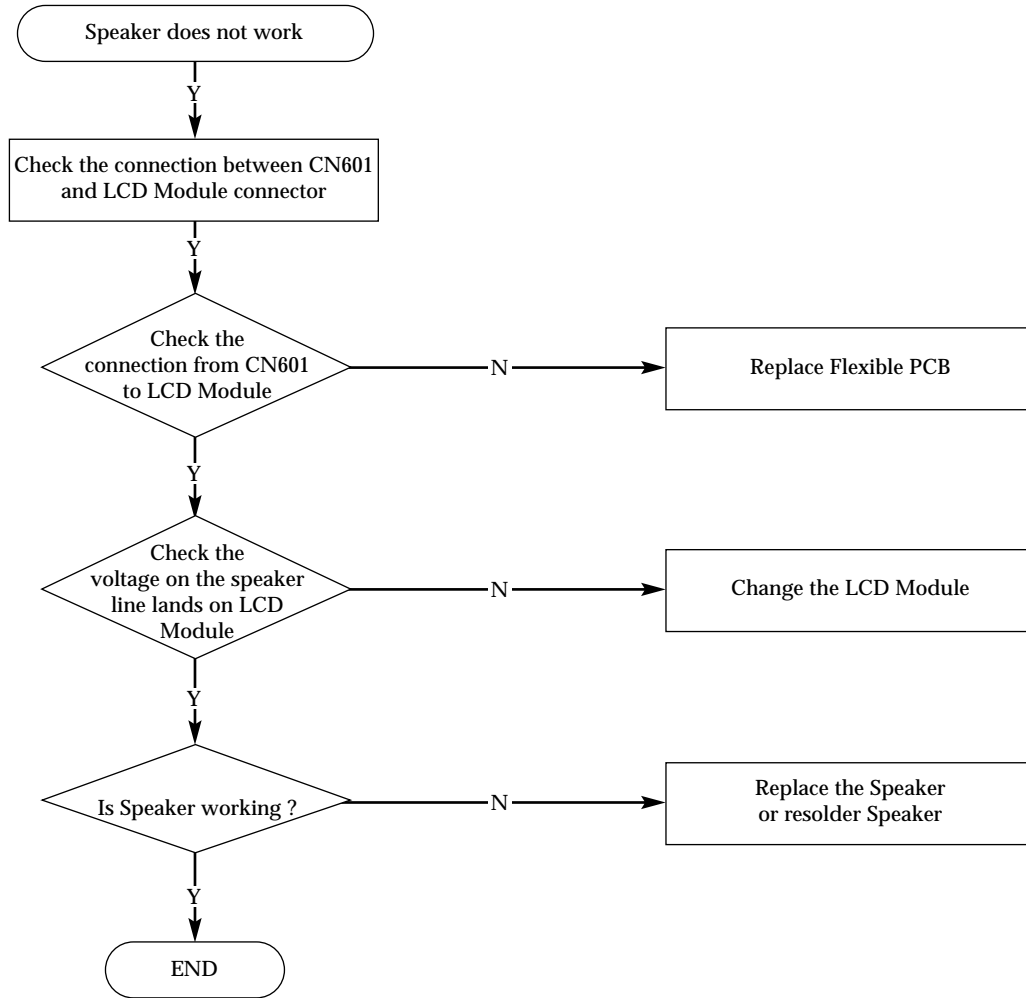


### 5-5 SGH-A300 Microphone Part

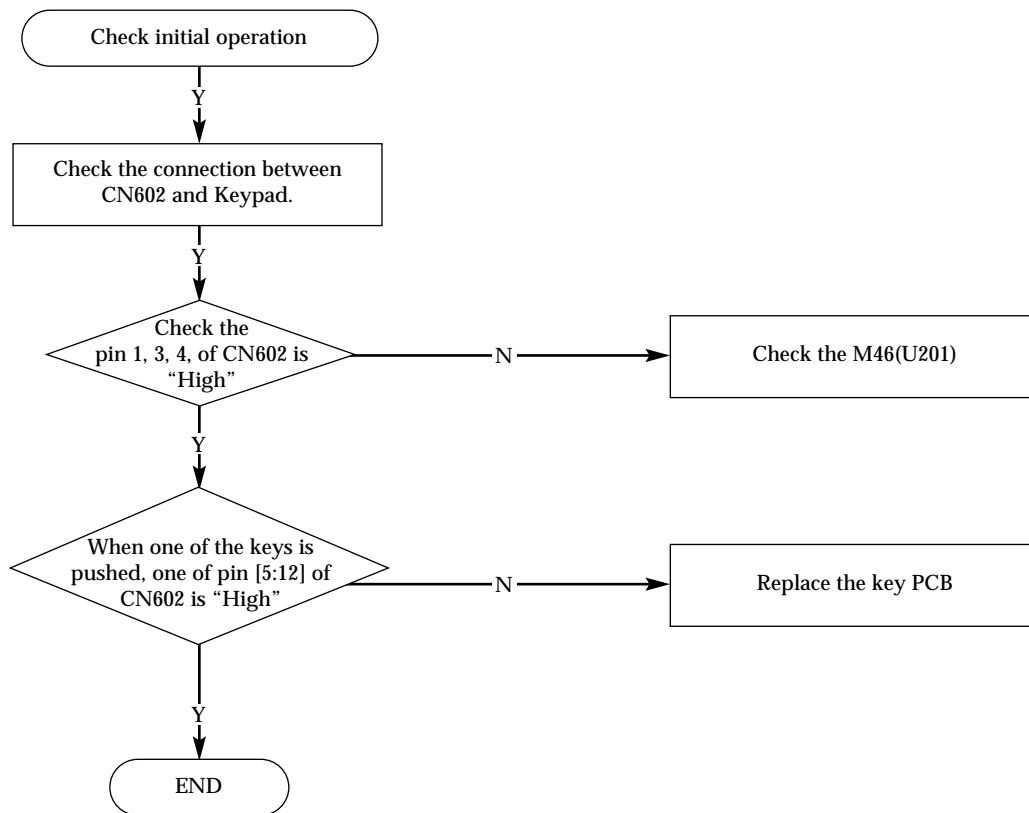




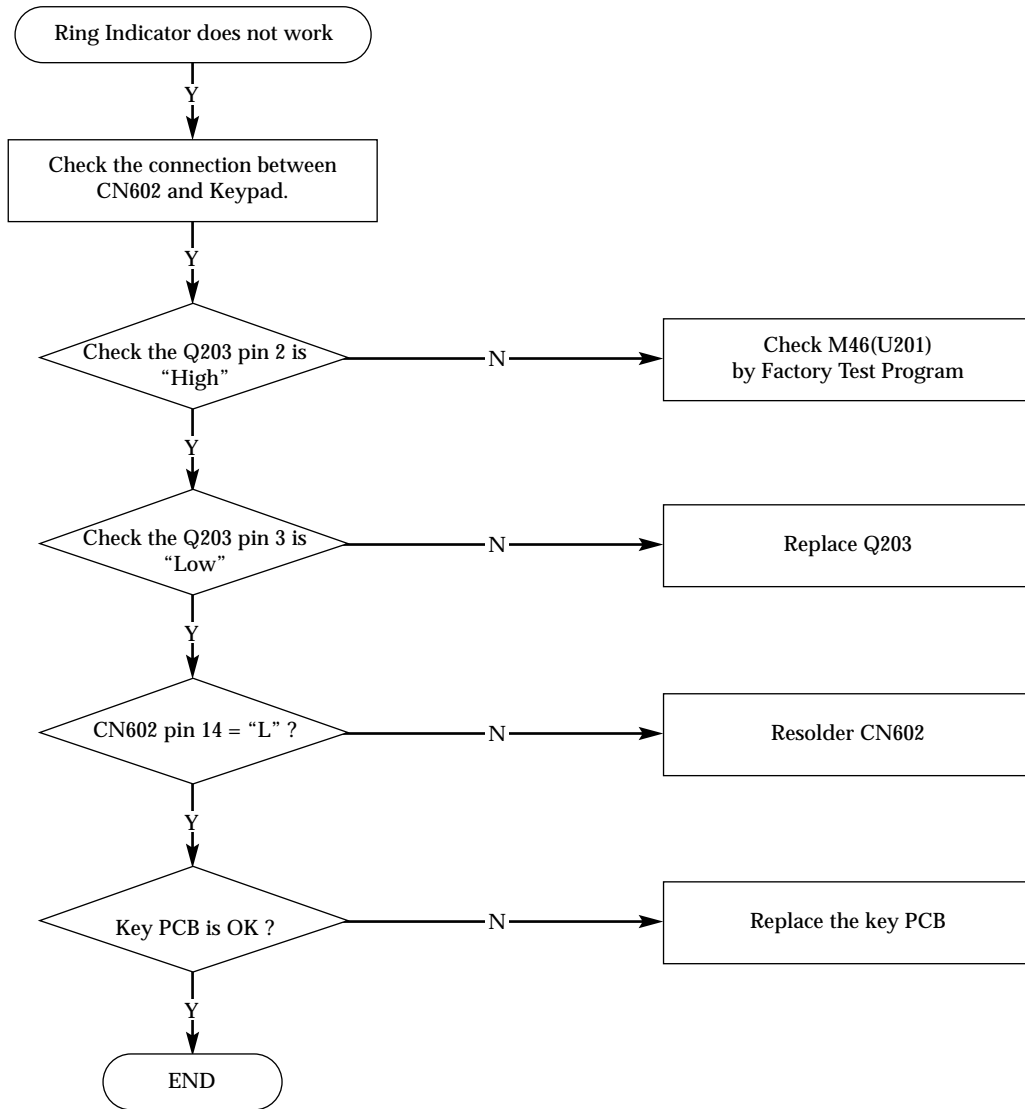
## 5-6 SGH-A300 Speaker Part



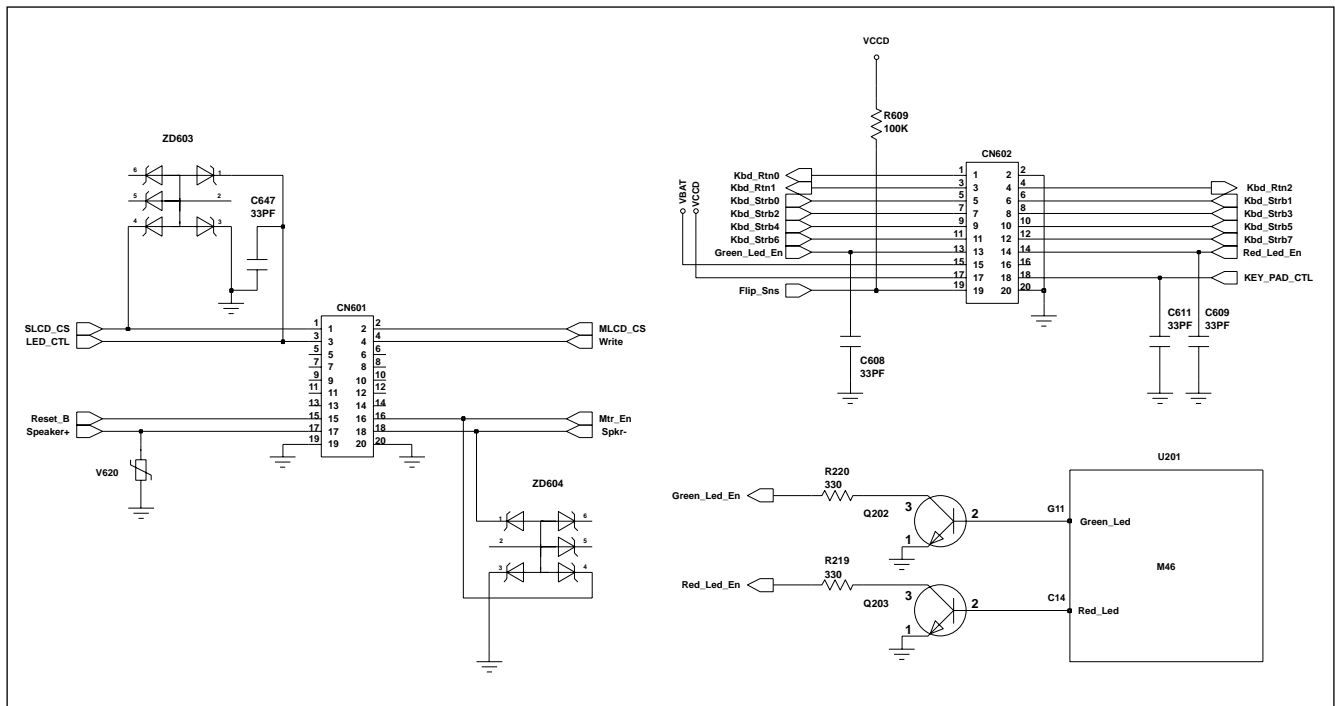
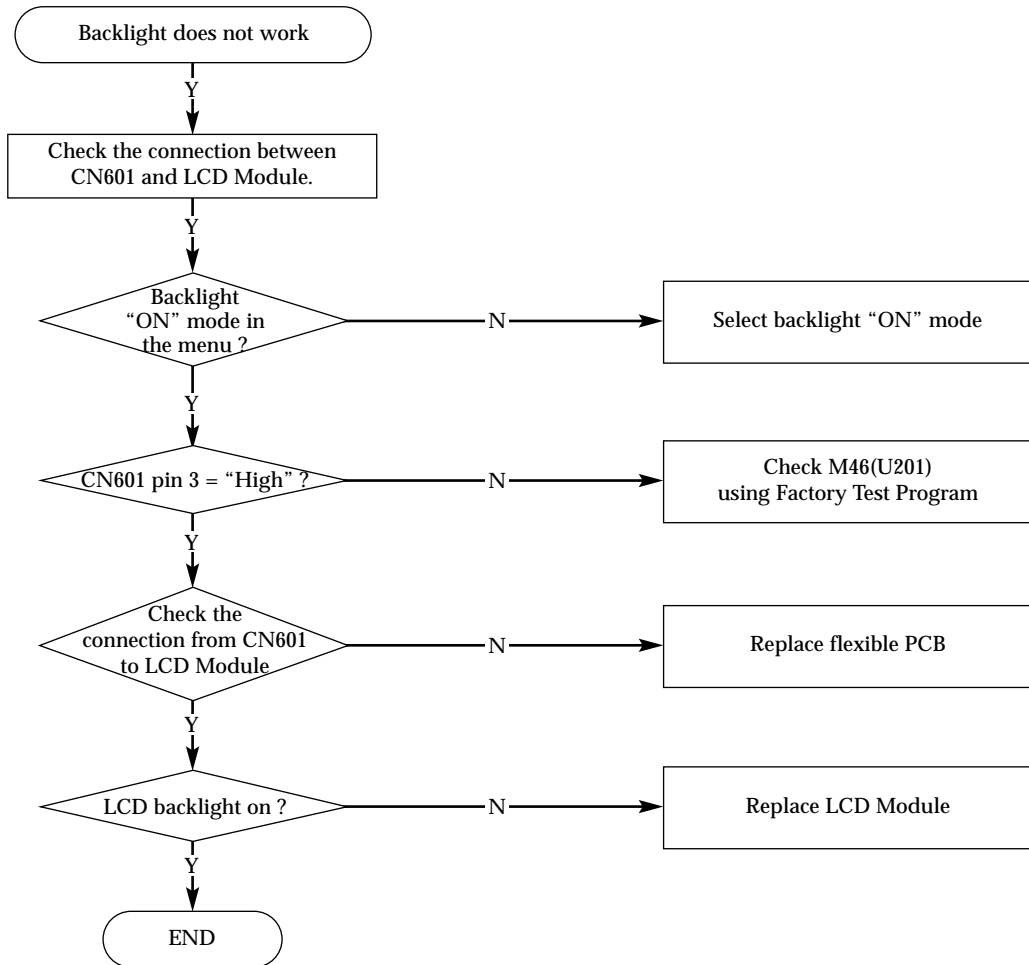
## 5-7 SGH-A300 Key Data Input



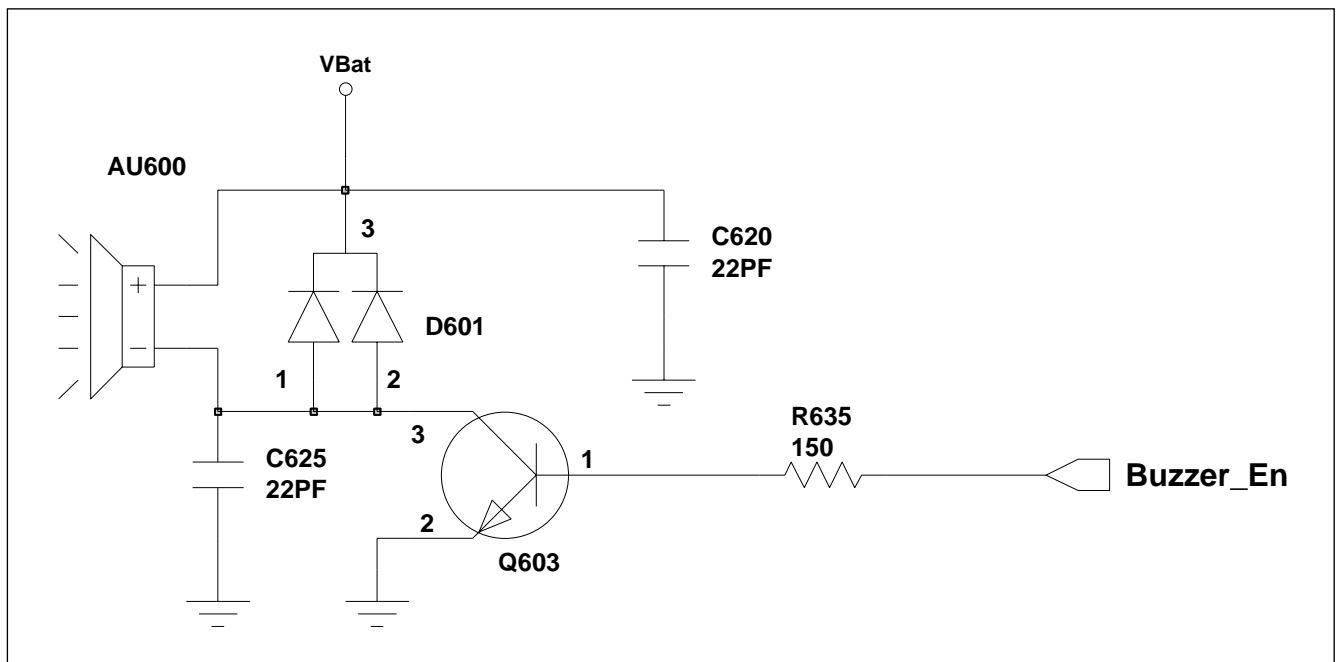
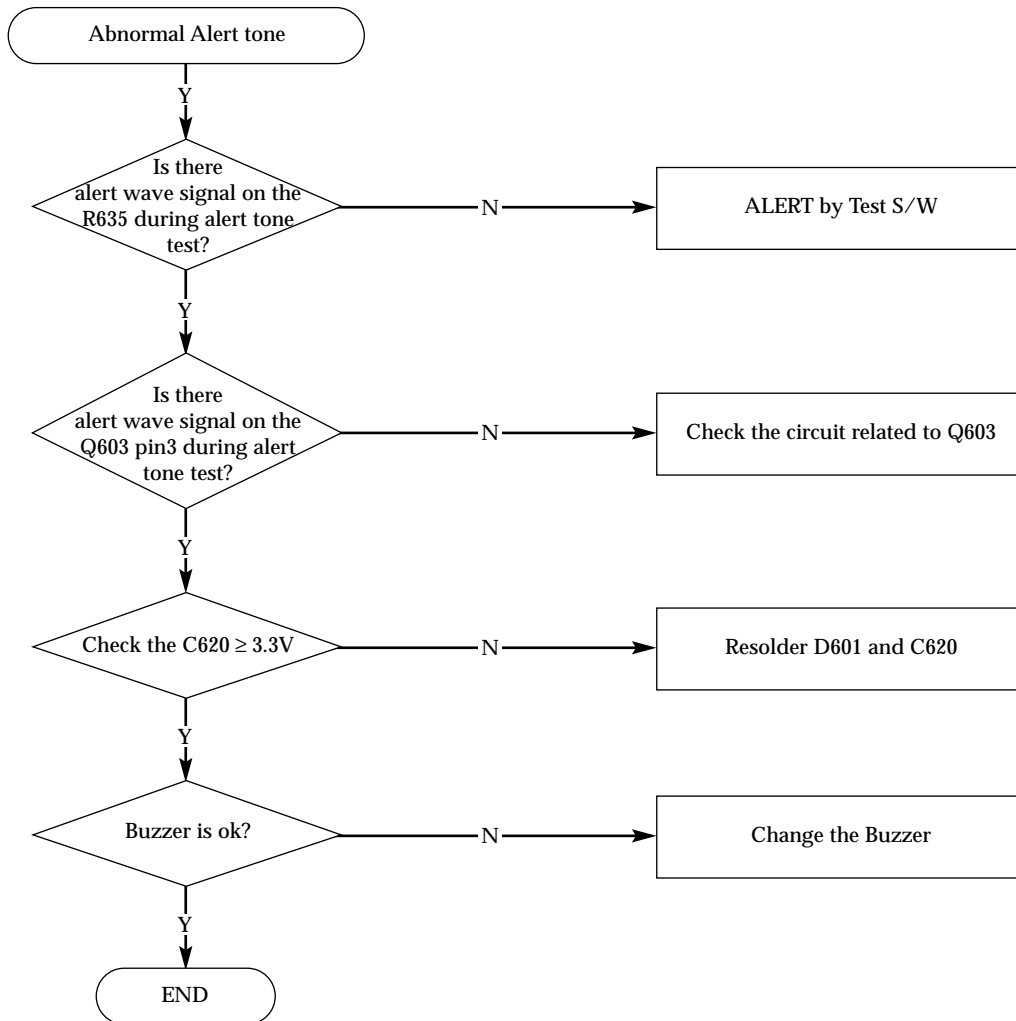
## 5-8 SGH-A300 Ring Indicator



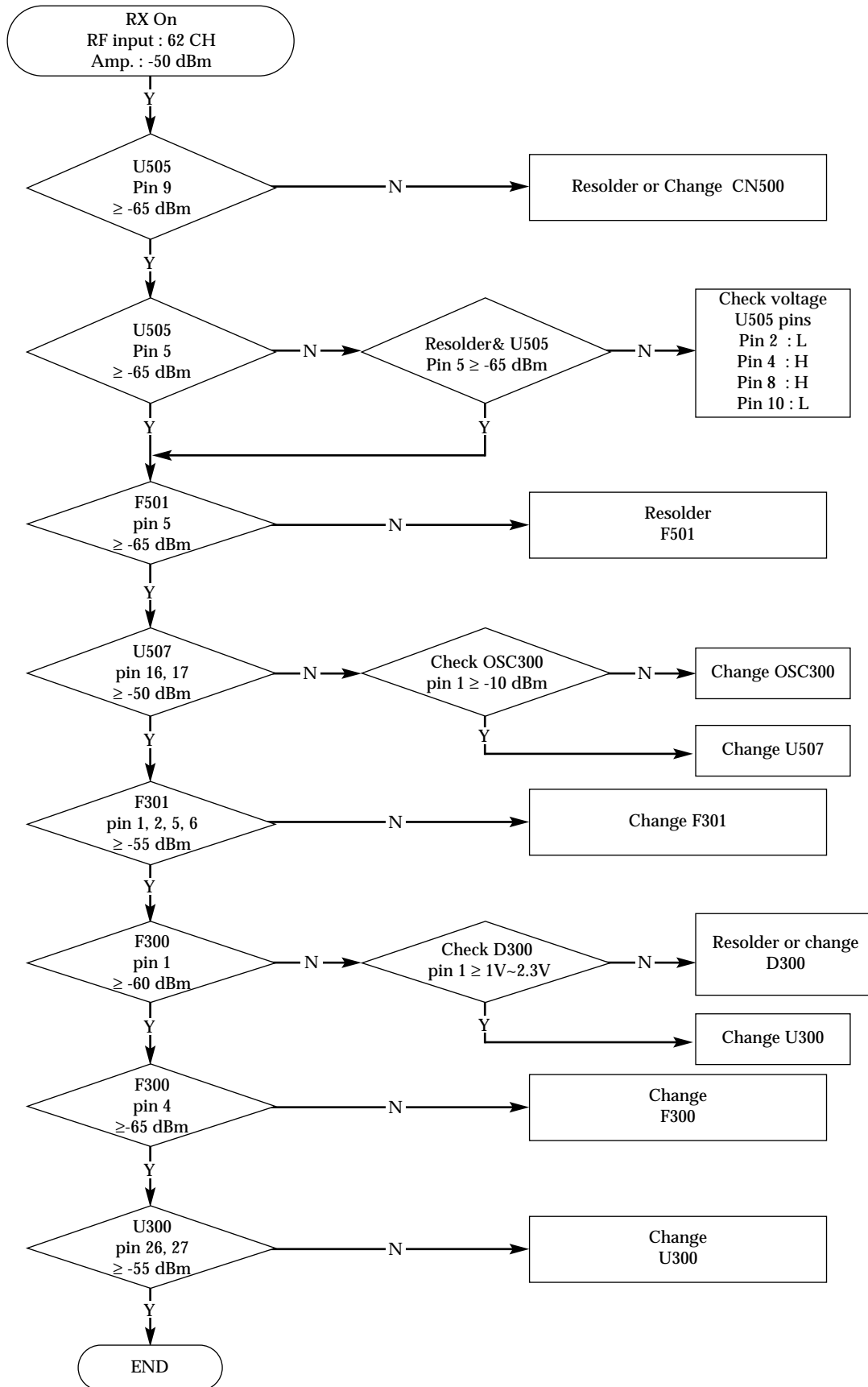
### 5-9 SGH-A300 Back Light



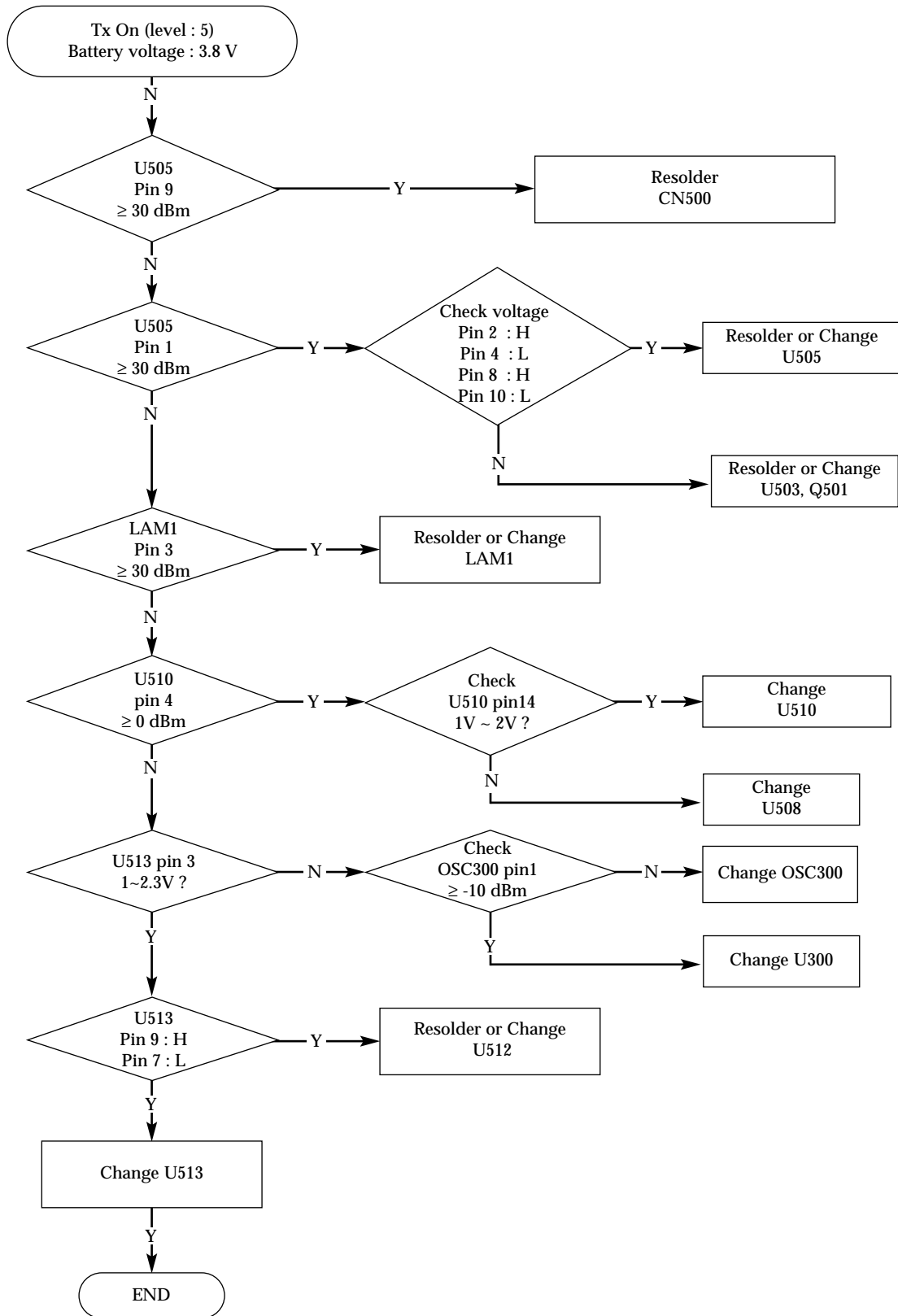
## 5-10 SGH-A300 Alert Tone



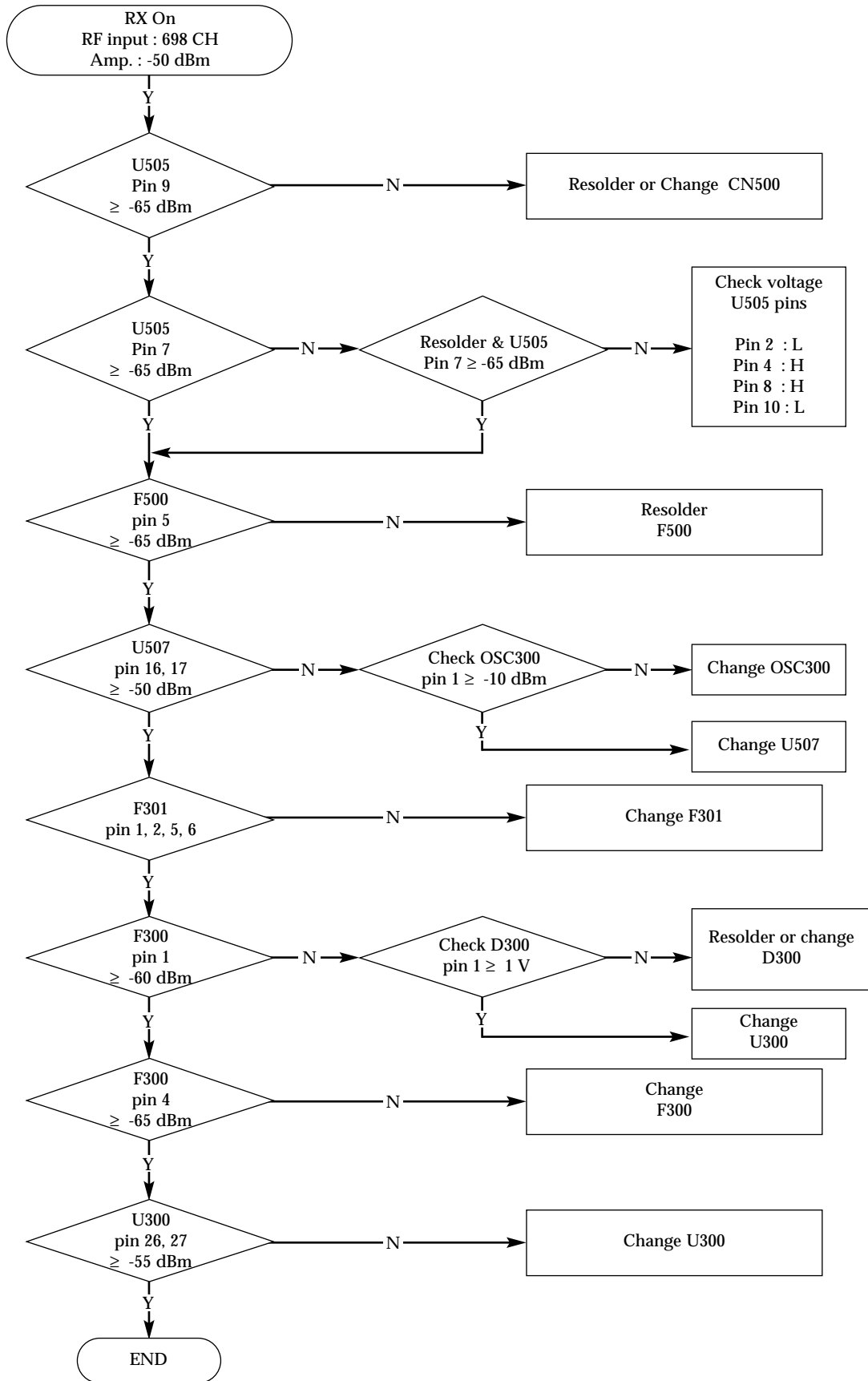
### 5-11 SGH-A300 GSM Receiver



## 5-12 SGH-A300 GSM Transmit

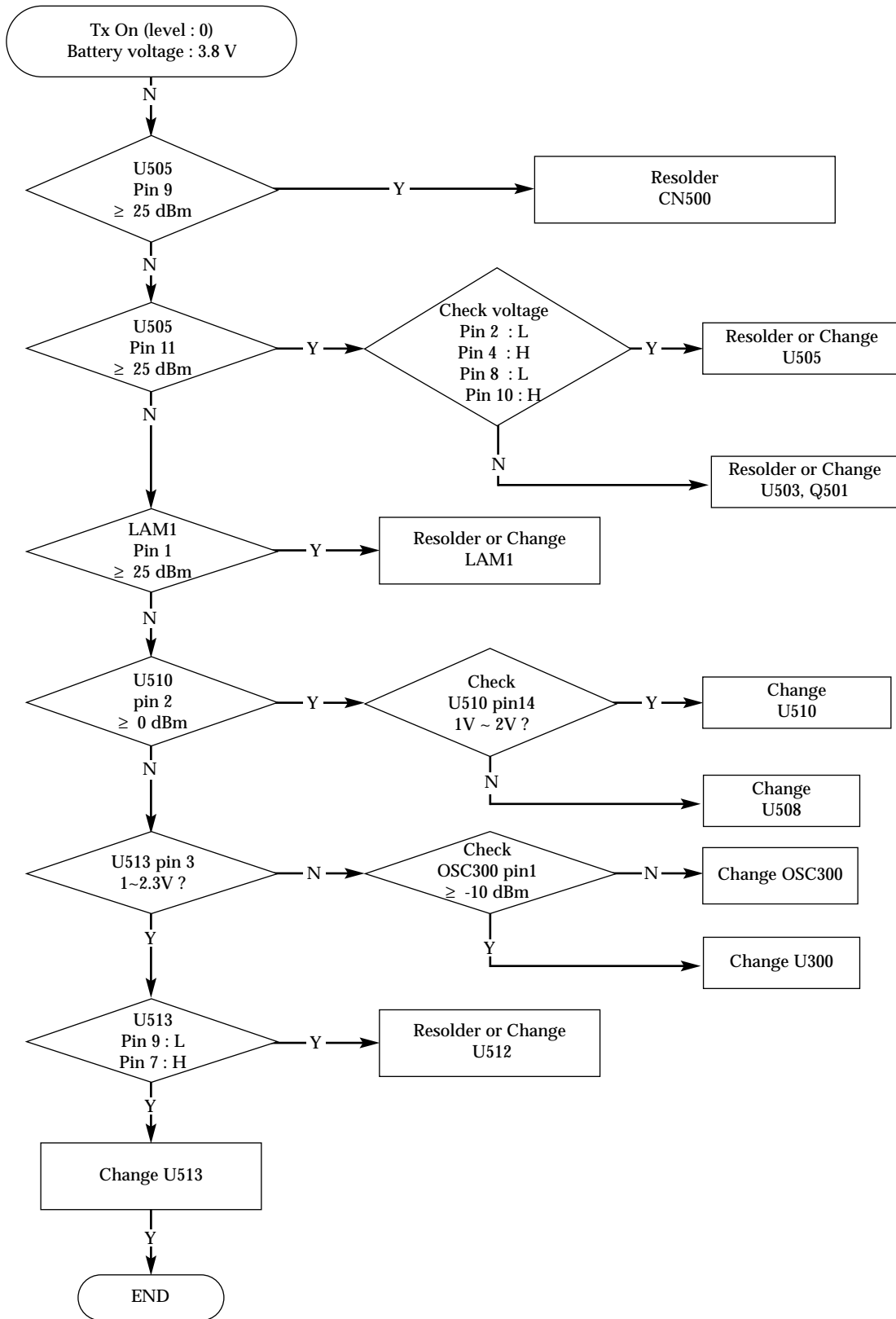


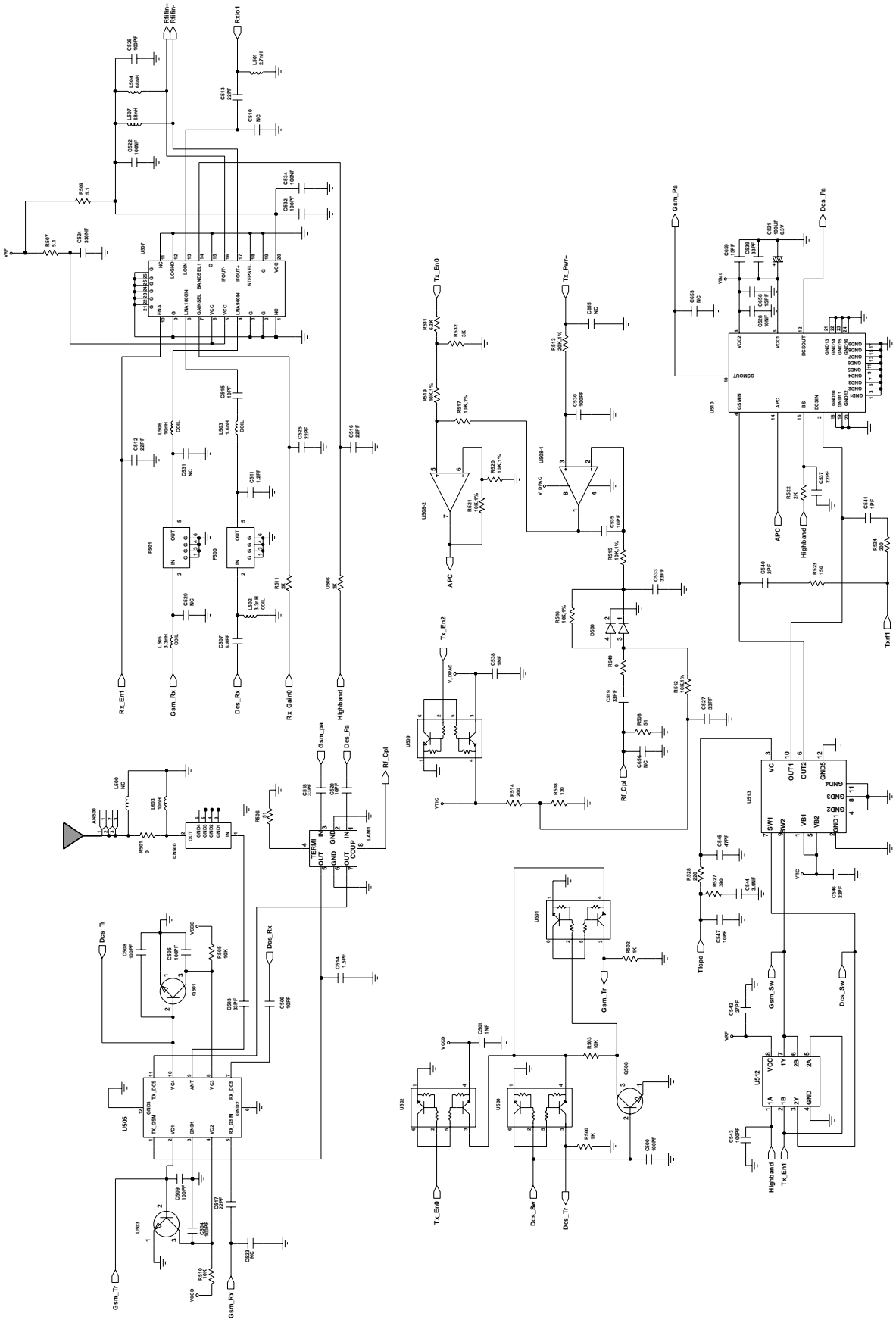
### 5-13 SGH-A300 DCS Receiver





### 5-14 SGH-A300 DCS Transmit





Flow Chart of Troubleshooting and Circuit Diagram

