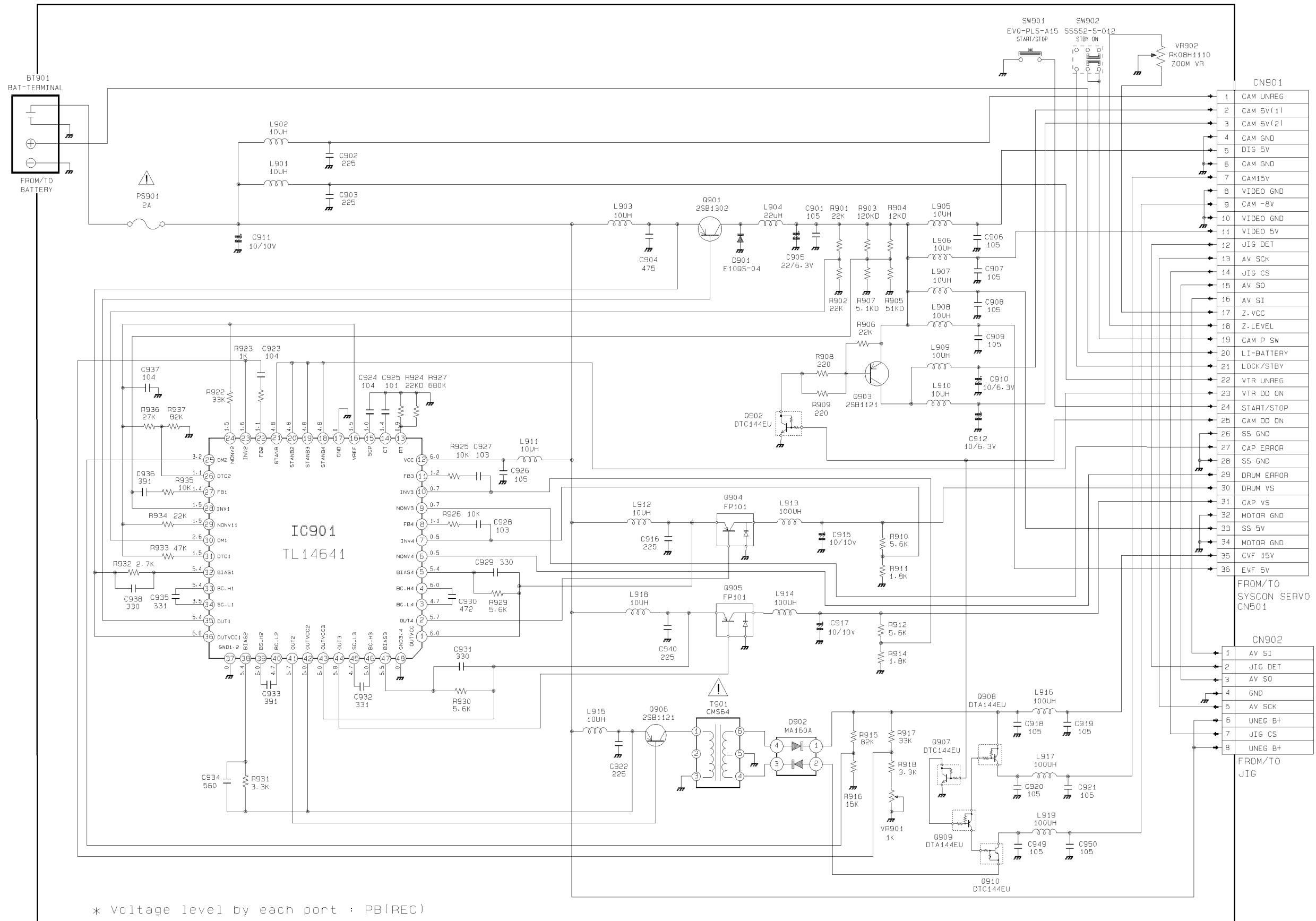
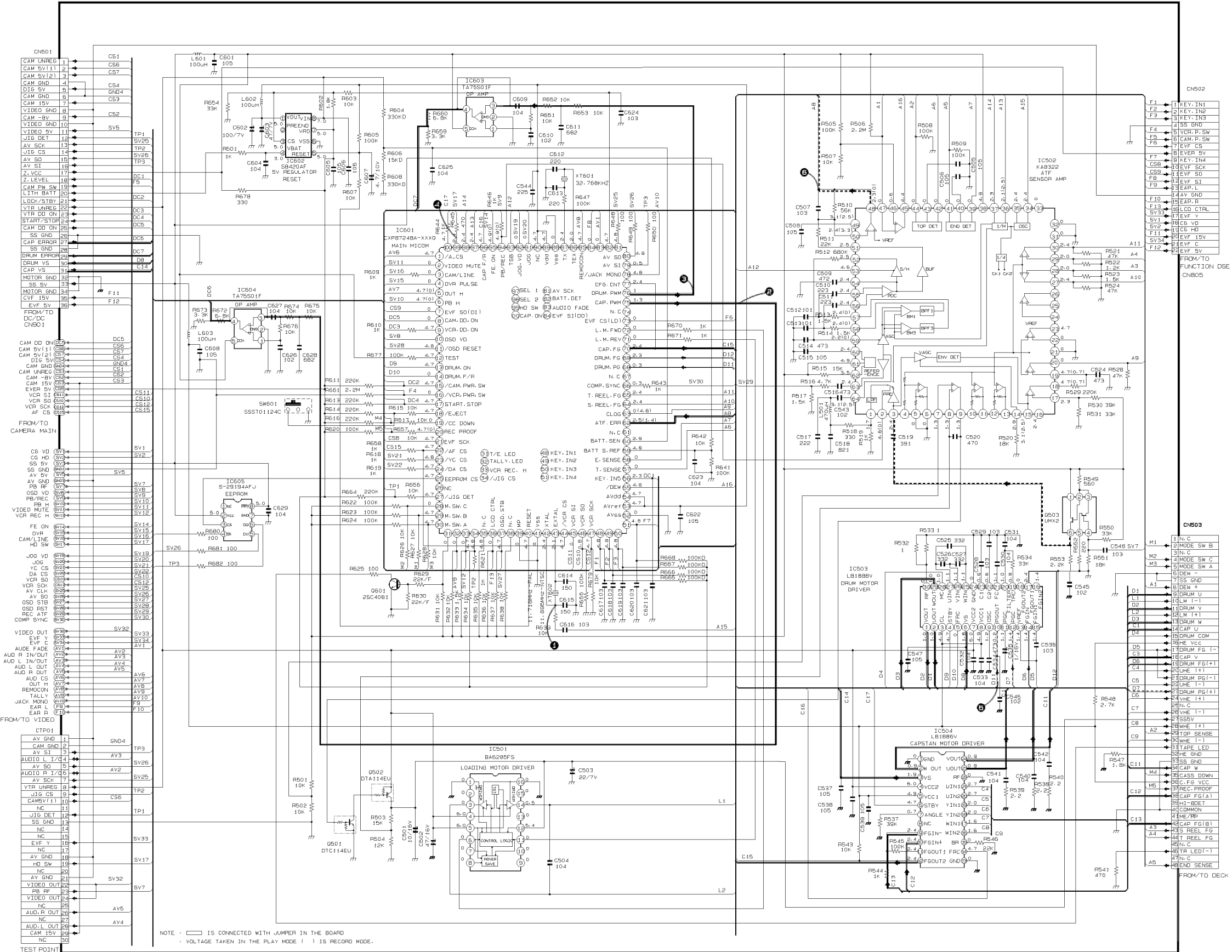


11-1 DC/DC Converter



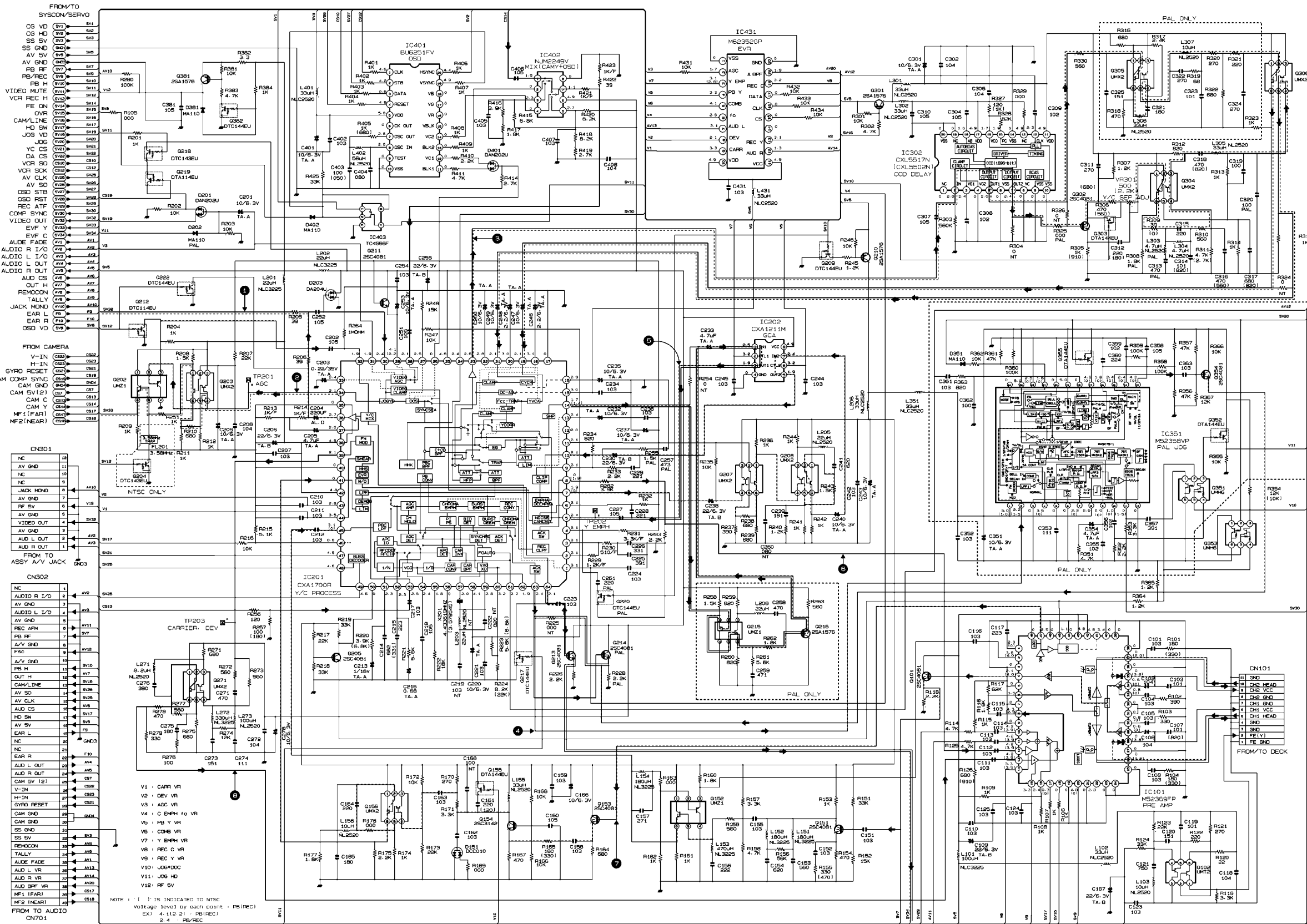
11-2 System Control/Servo

— DRUM SPEED SERVO — CAPSTAN SERVO (SPEED AND PHASE)  
 - - - DRUM PHASE SERVO - - - CAPSTAN SPEED SERVO

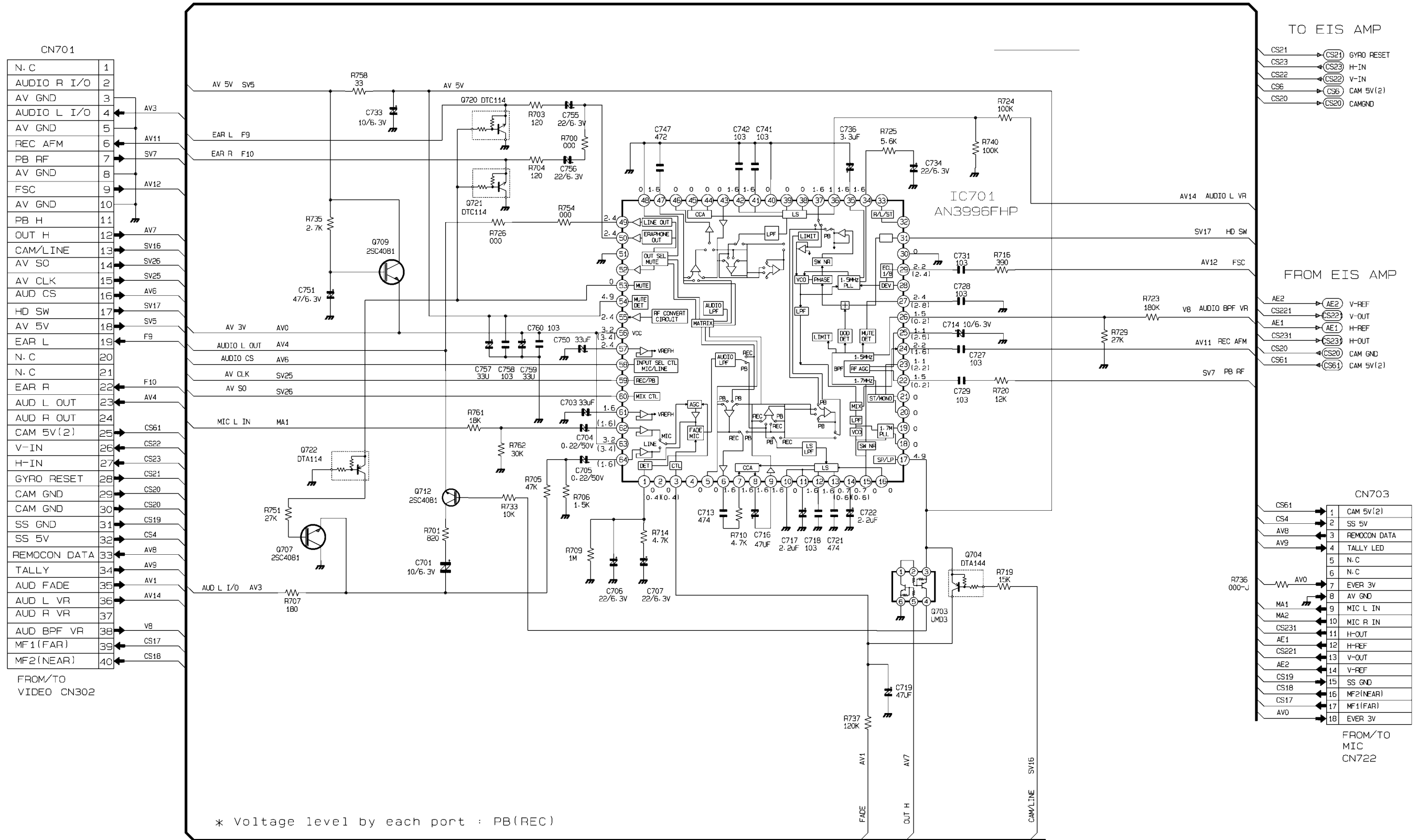


11-3 V ideo

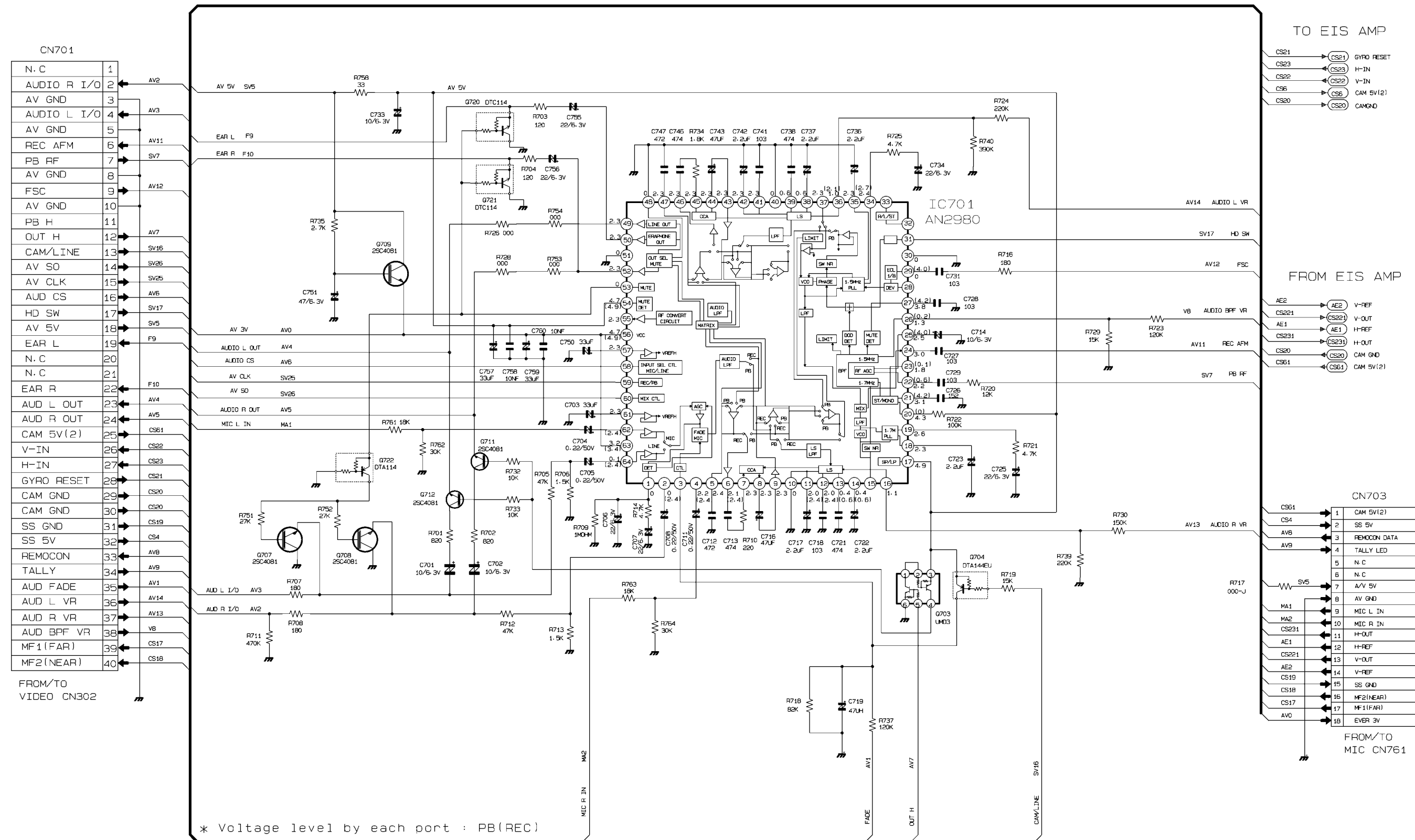
— VIDEO (Y+C) REC PROCESS      — REC C PROCESS  
 - - - VIDEO (Y+C0 PB PROCESS)      - - - PB C PROCESS



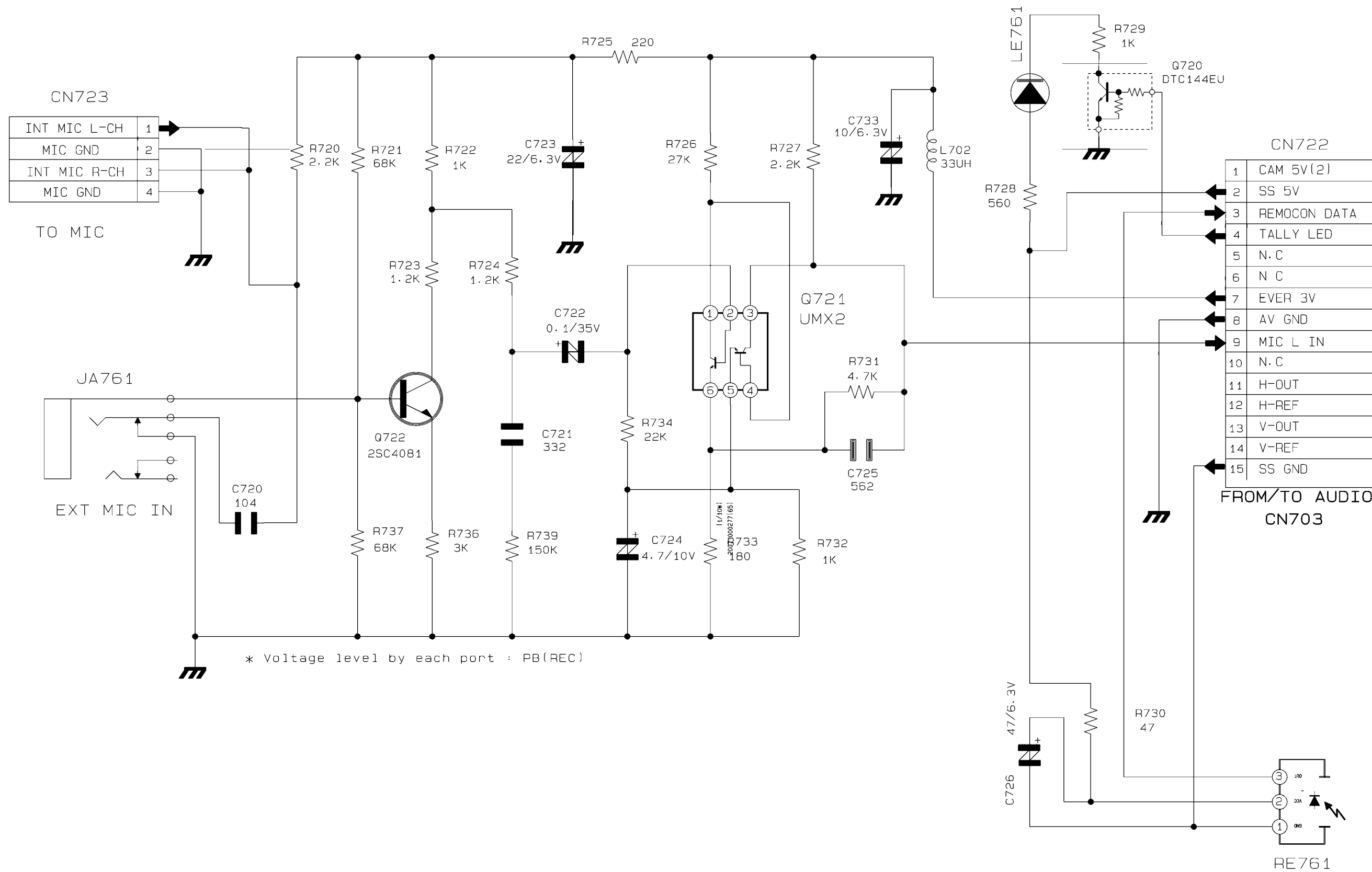
11-4 Audio (Mono)



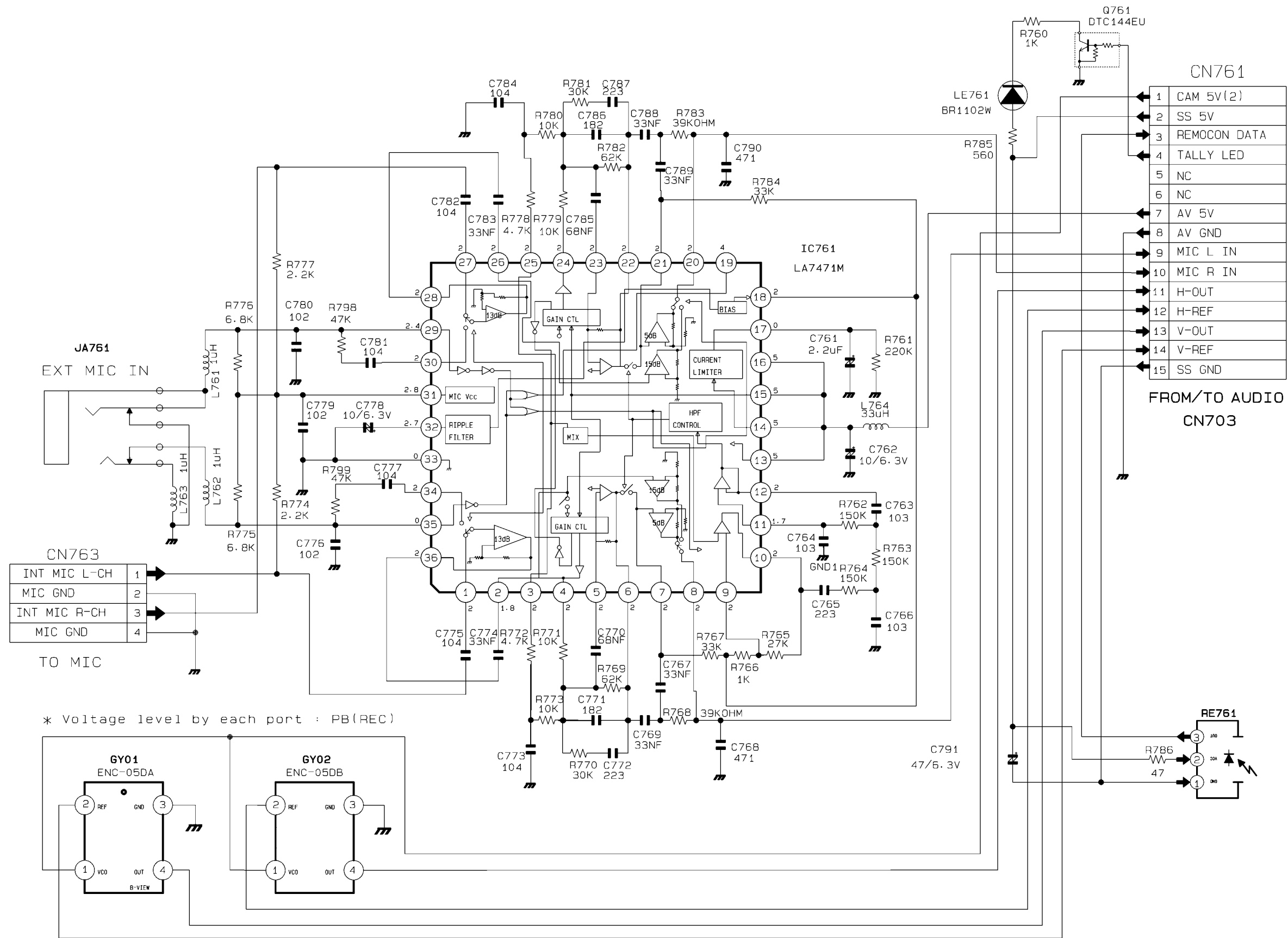
11-5 Audio (Stereo)



11-6 MIC (Mono)

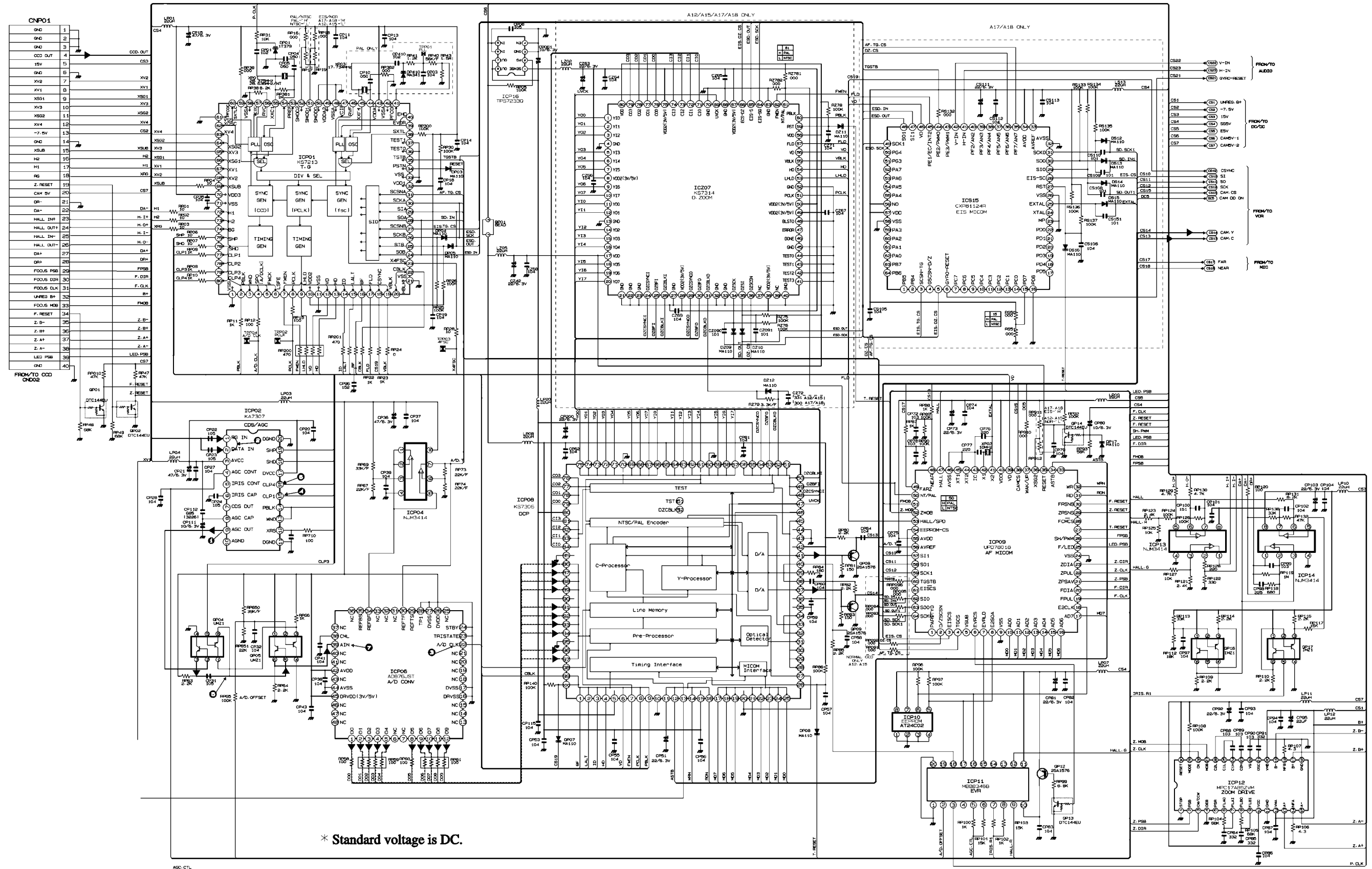


11-7 MIC (Stereo)



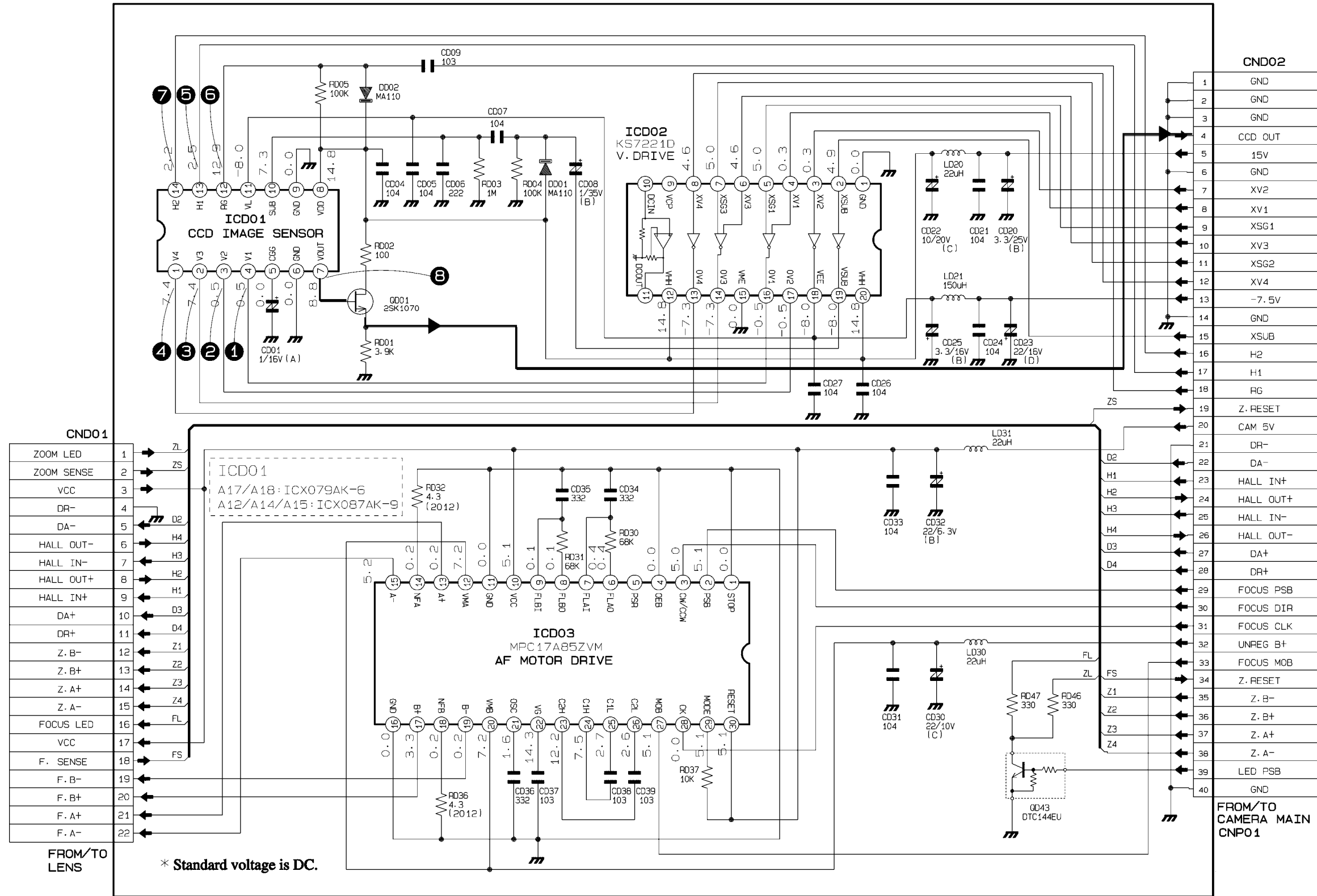
11-8 Camera Main

— ANALOG SIGNAL  
- - - DIGITAL SIGNAL



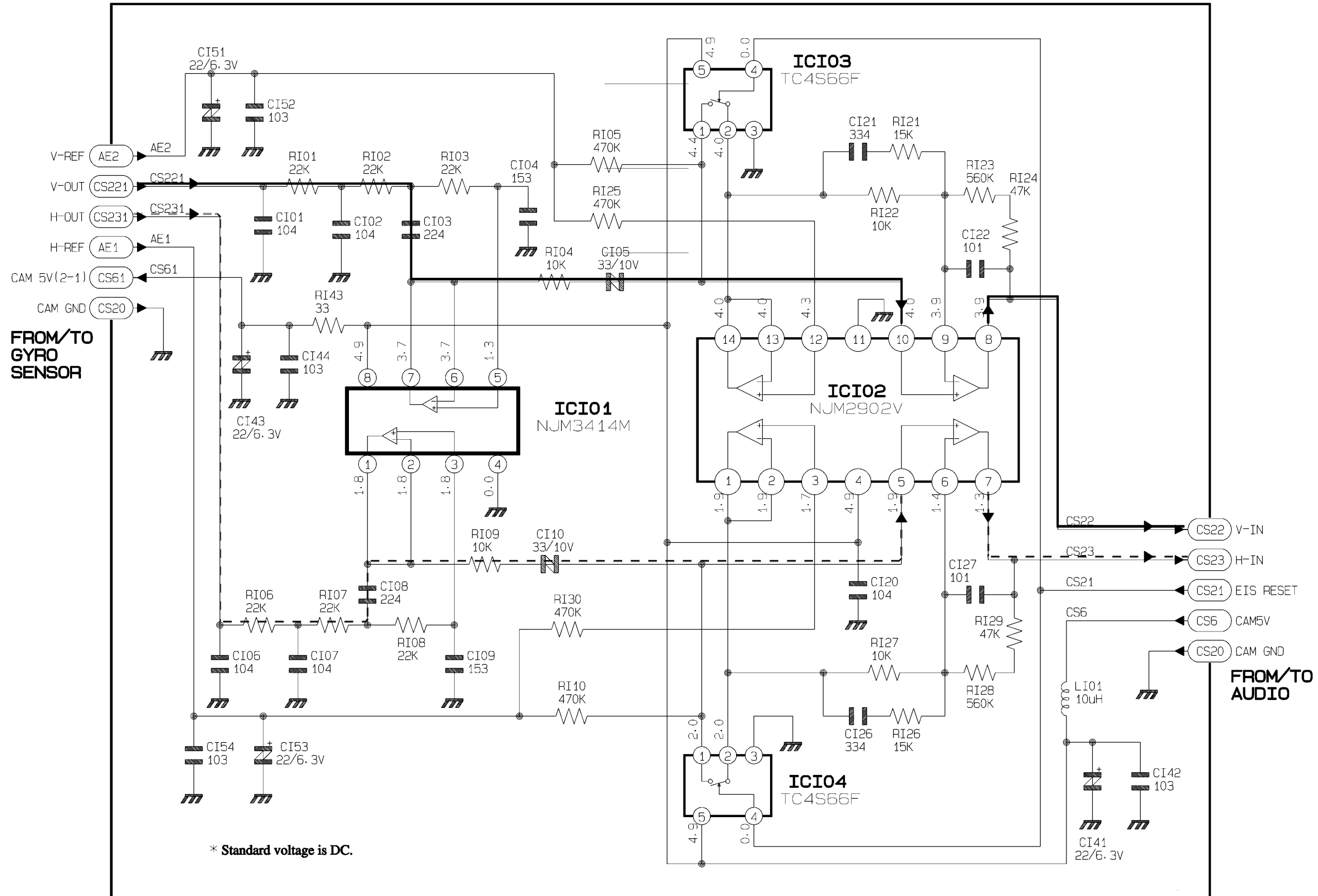
\* Standard voltage is DC.



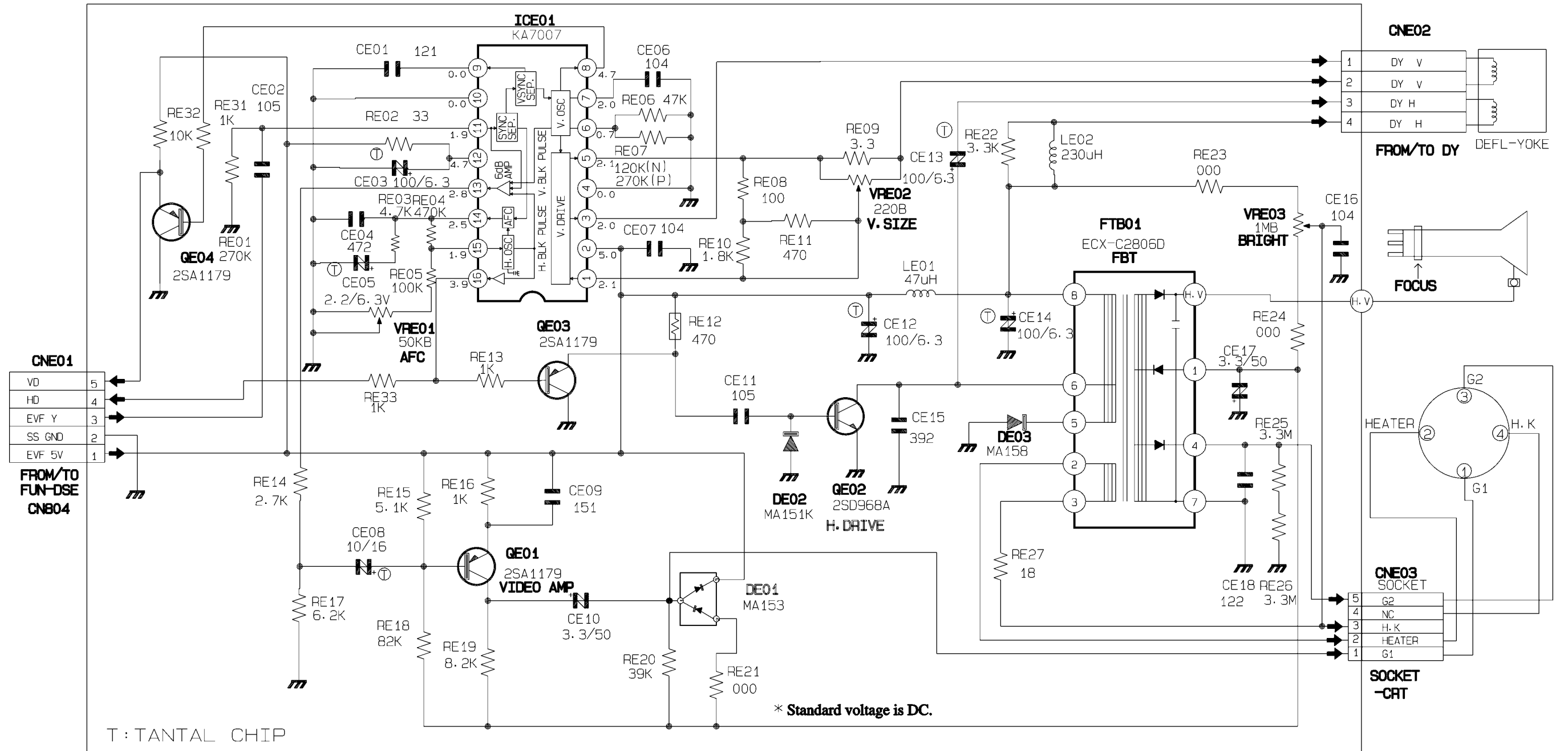


11-10 EIS (VP-A17/VP-A18)

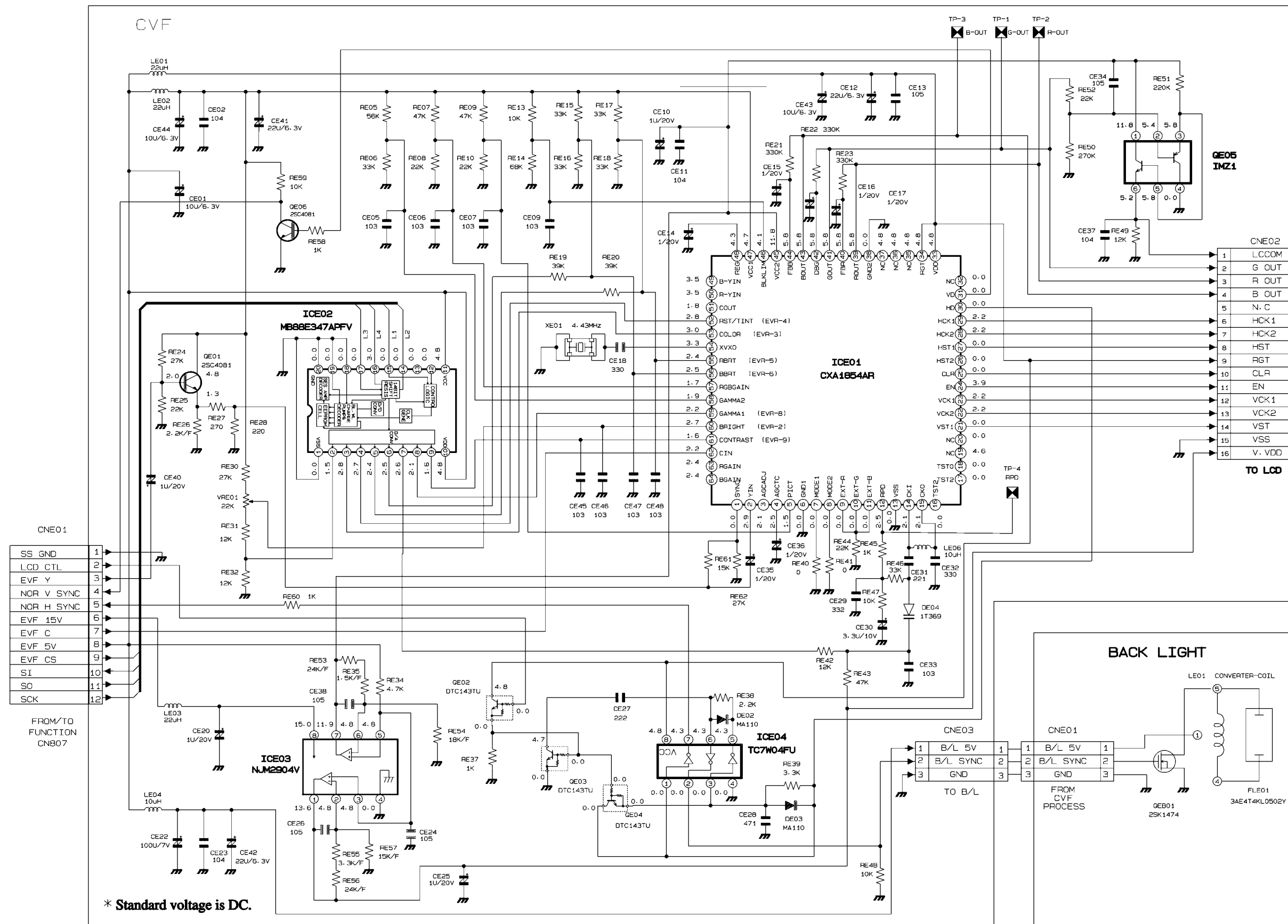
— V-OUT  
 - - - H-OUT



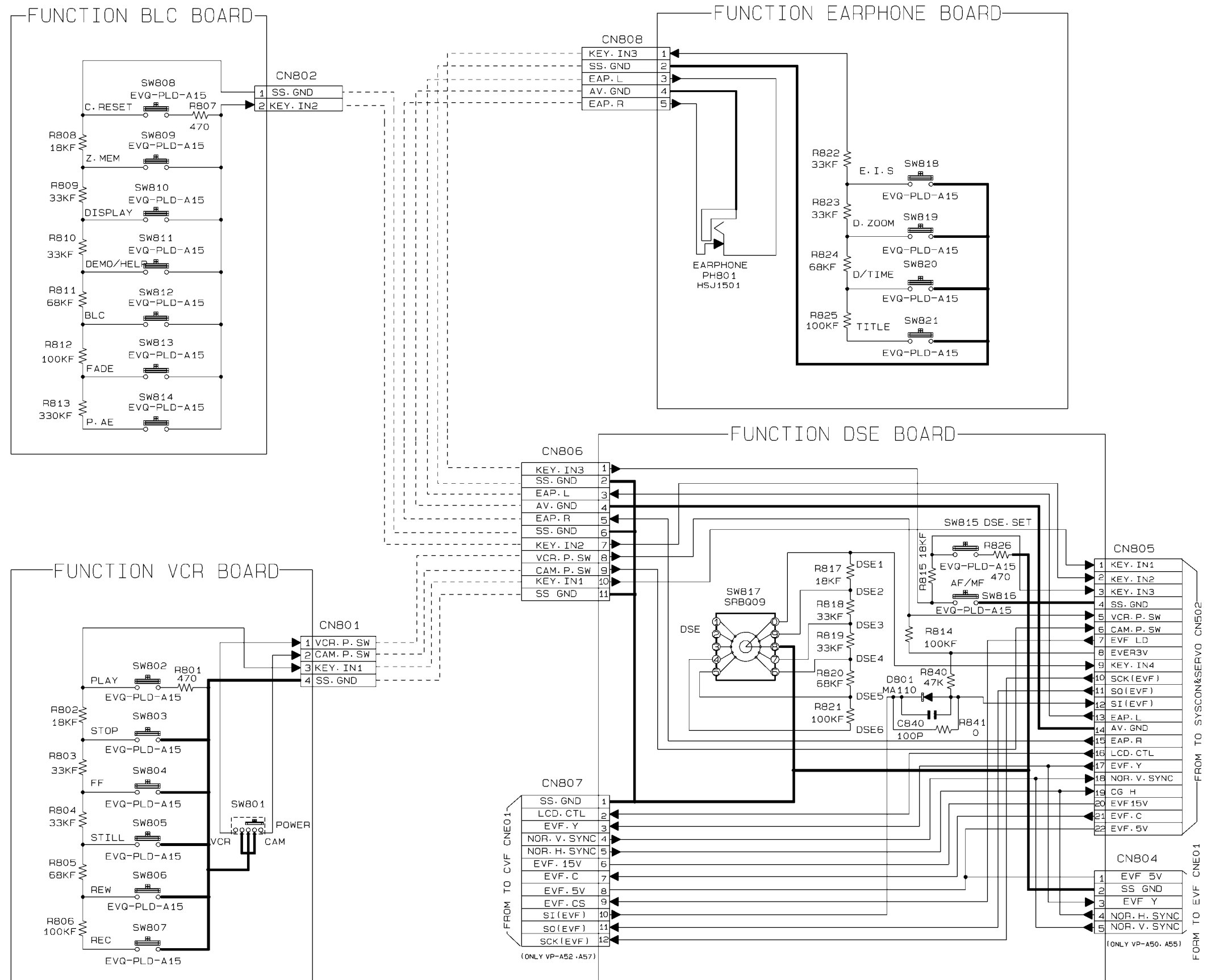
11-11 EVF(VP-A12/VP-A17)



11-12 CVF(VP-A15/VP-A18)



11-13 Function



11-14 Adaptor

