

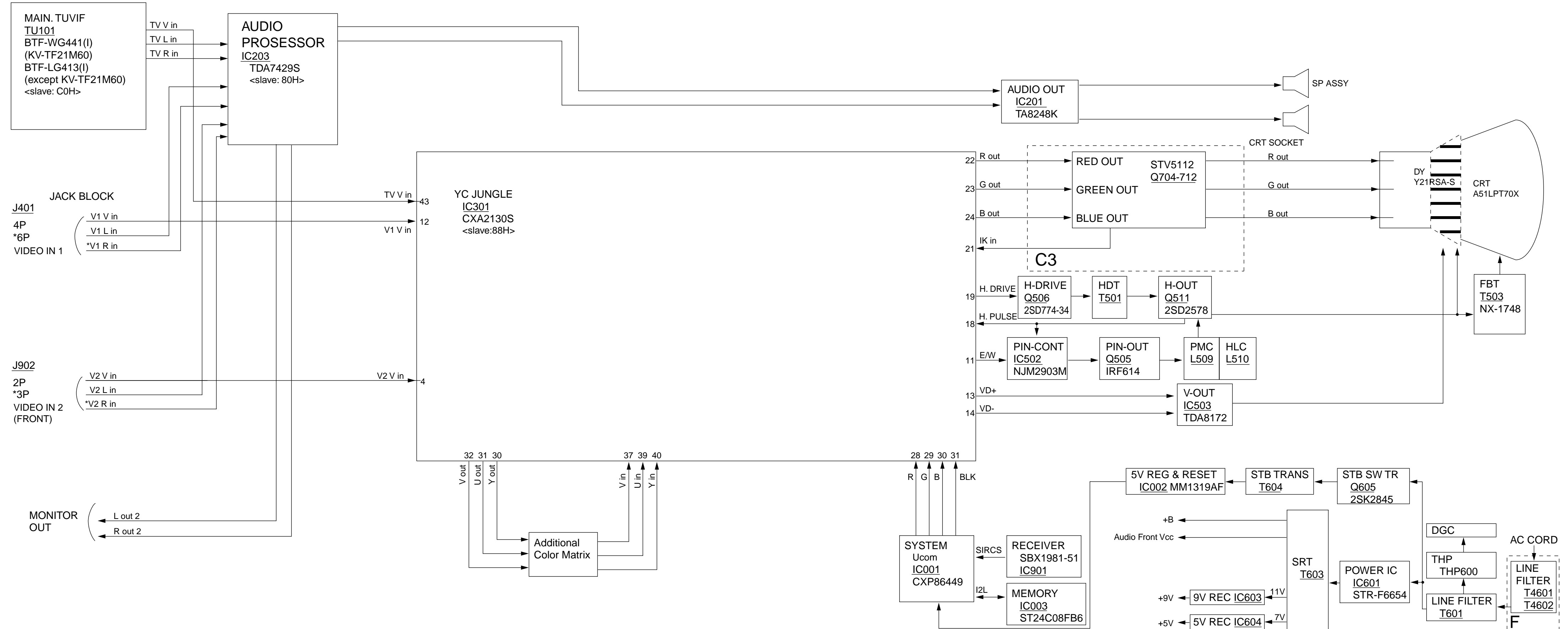
SECTION 5
DIAGRAM

KV-PF21P40/TF21M60/TF21P50
RM-952

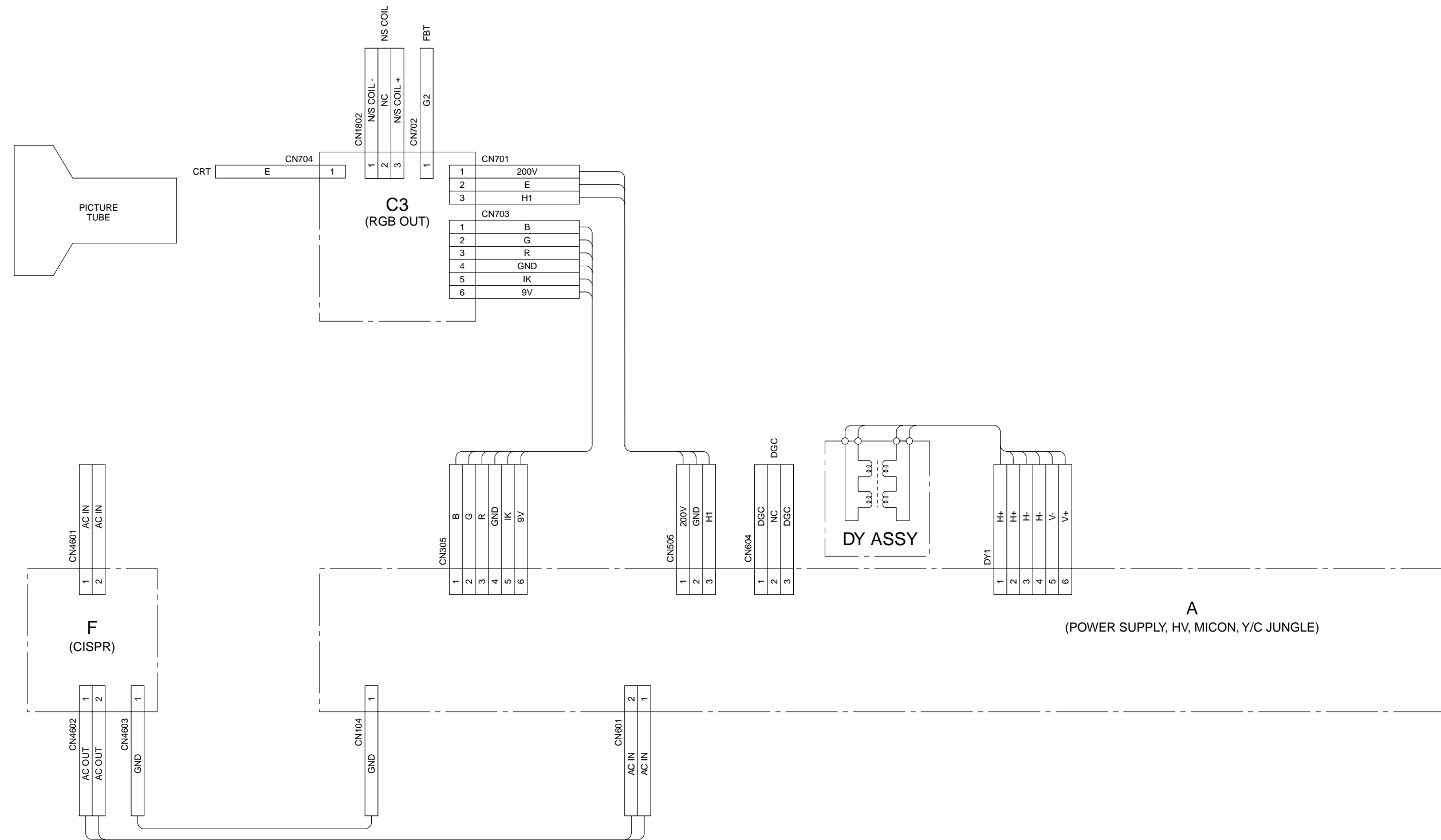
KV-PF21P40/TF21M60/TF21P50
RM-952

KV-PF21P40/TF21M60/TF21P50
RM-952

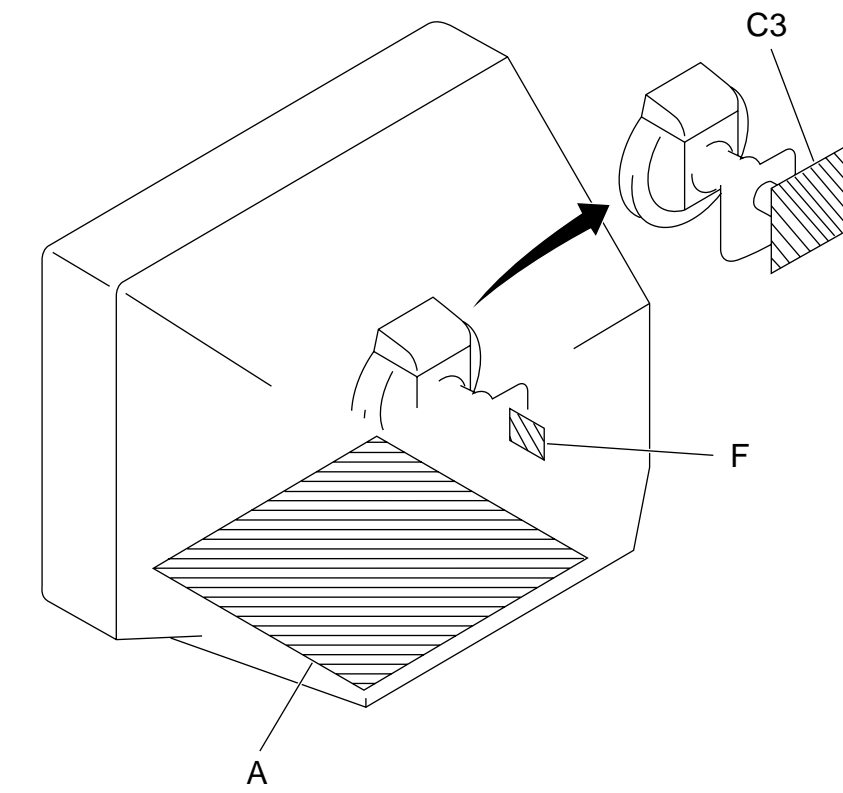
5-1. BLOCK DIAGRAM



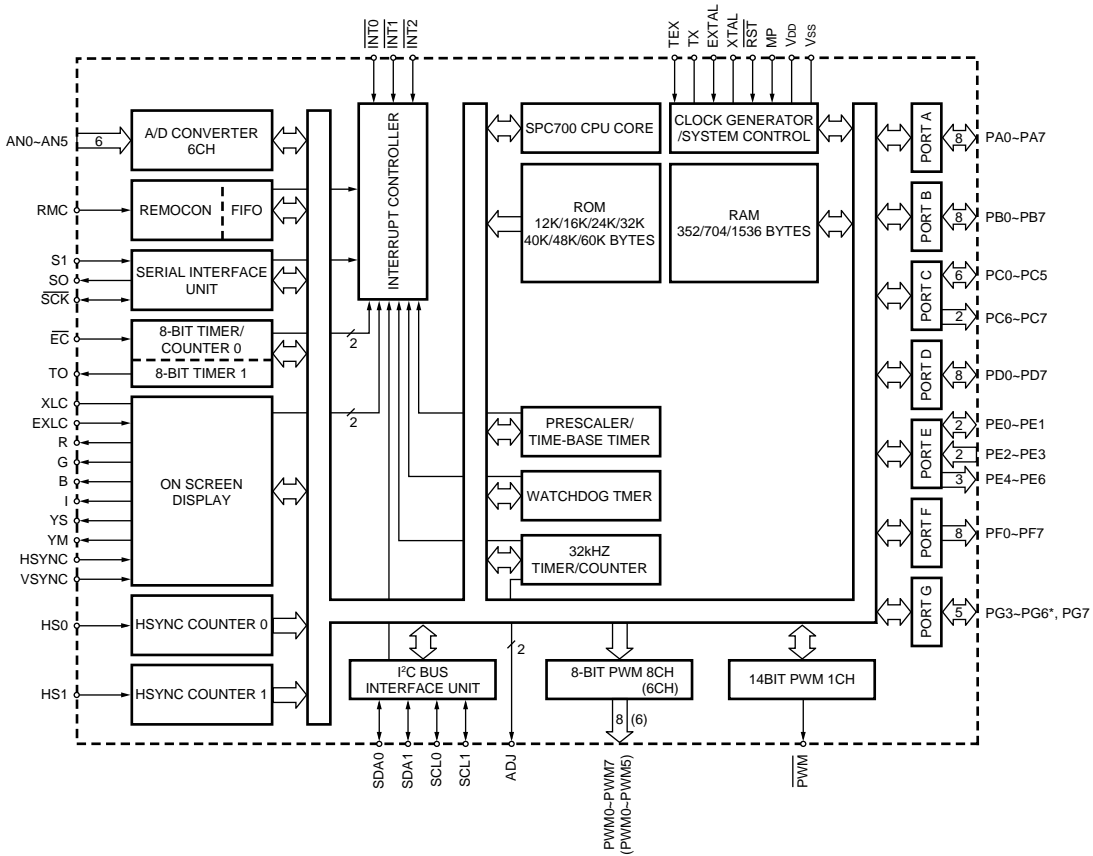
5-2. FRAME SCHEMATIC DIAGARM



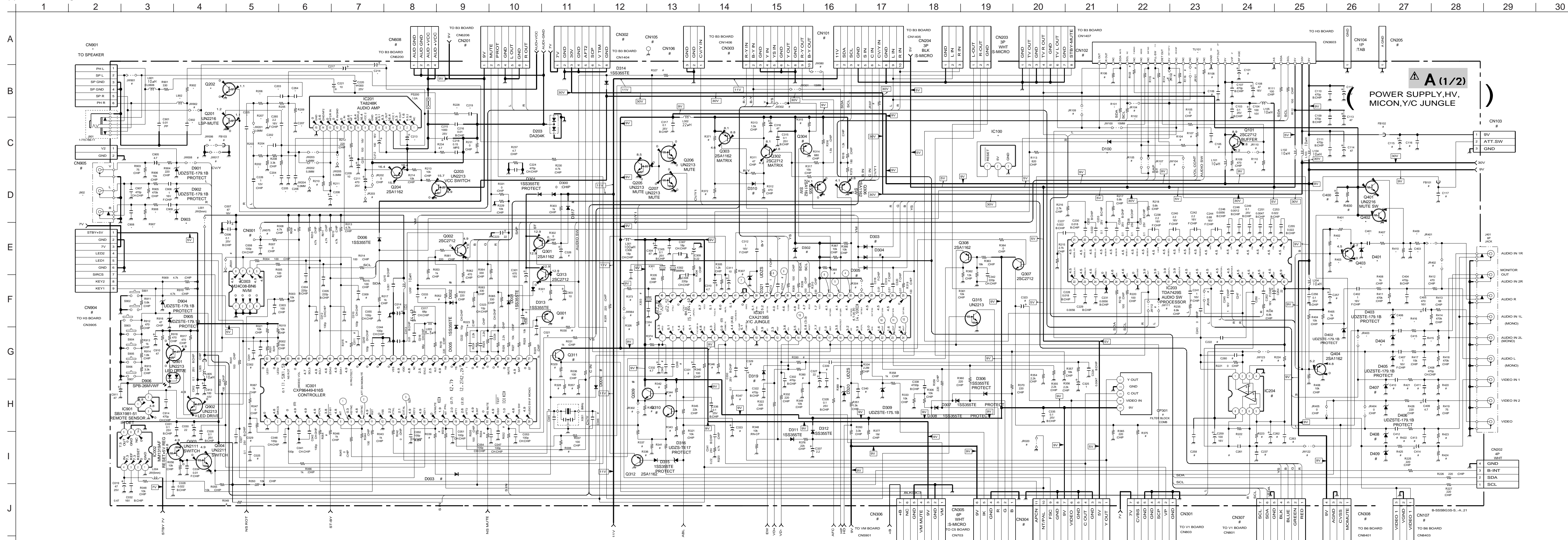
5-3. CIRCUIT BOARDS LOCATION



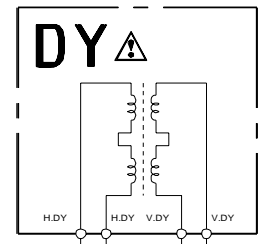
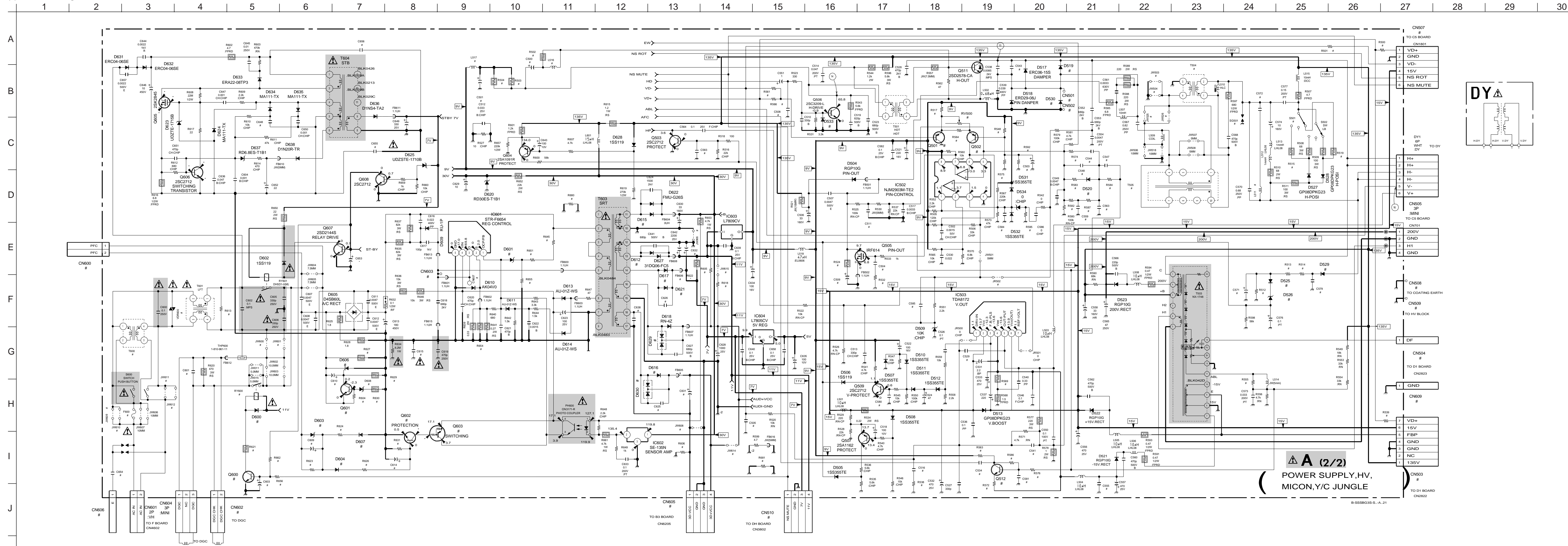
A BOARD IC001 CXP86449-616S



(1) Schematic Diagram of A(1/2) board



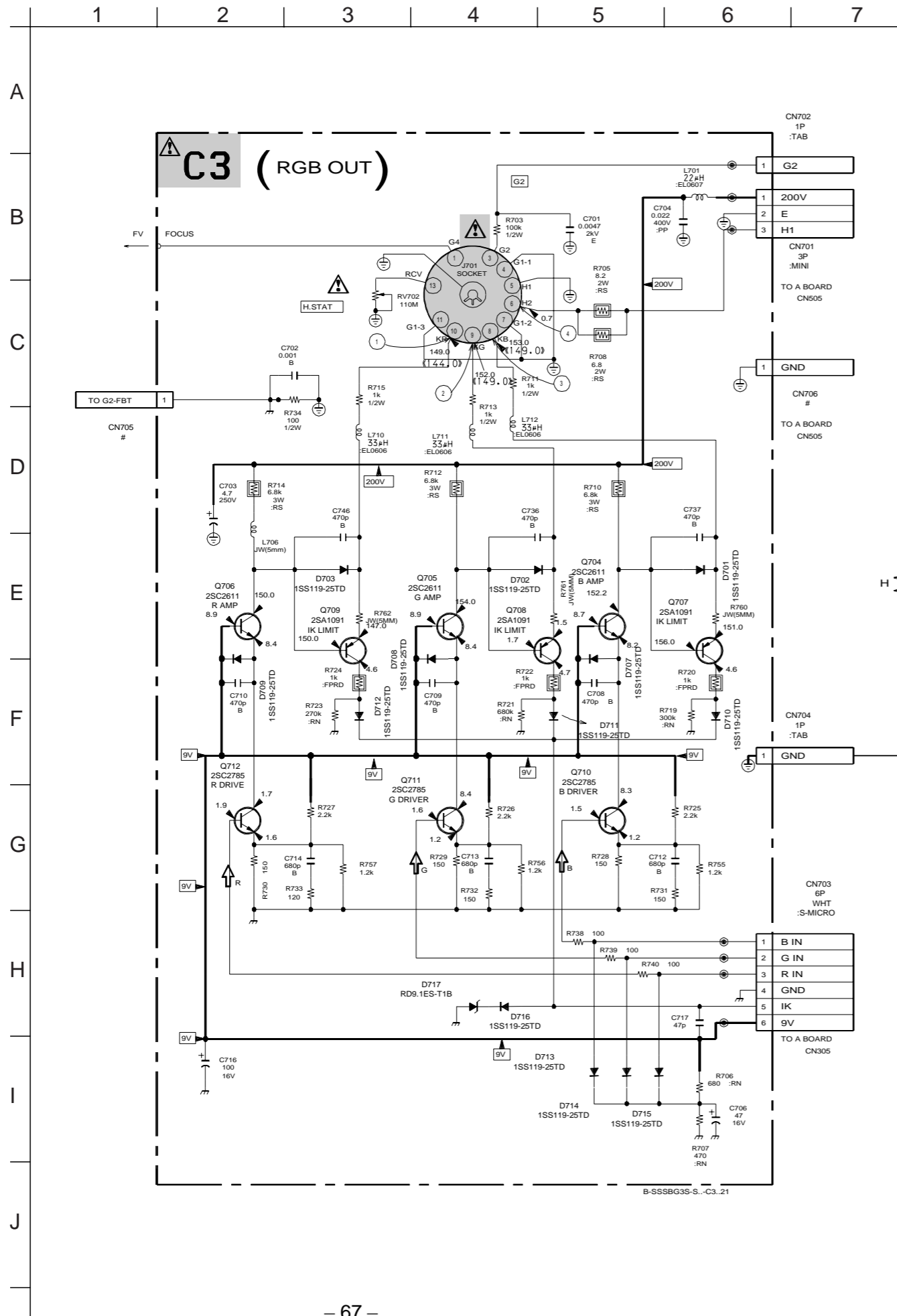
(2) Schematic Diagram of A(2/2) board



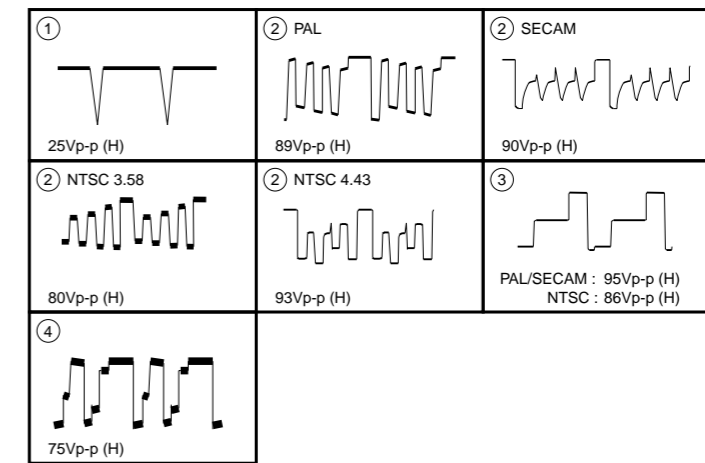
A (2/2)
POWER SUPPLY, HV,
MICON, Y/C JUNGLE

B-SSBG35-S...A.21

(3) Schematic Diagram of C3 board



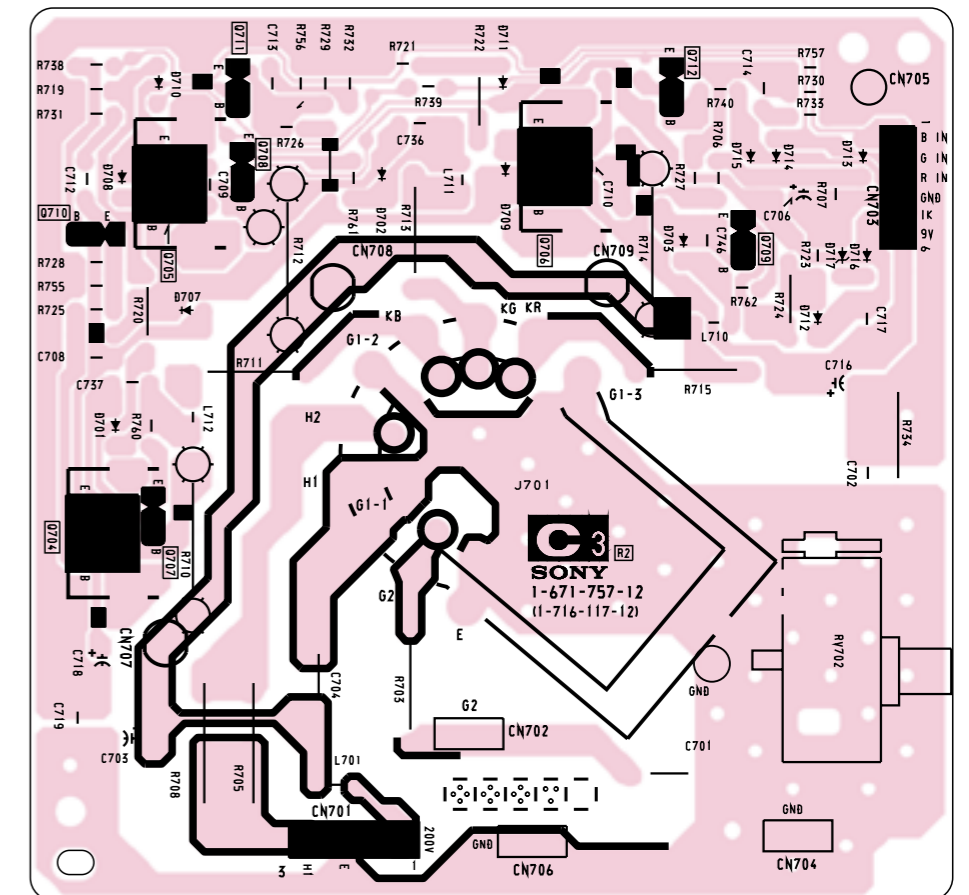
C3 BOARD WAVEFORMS



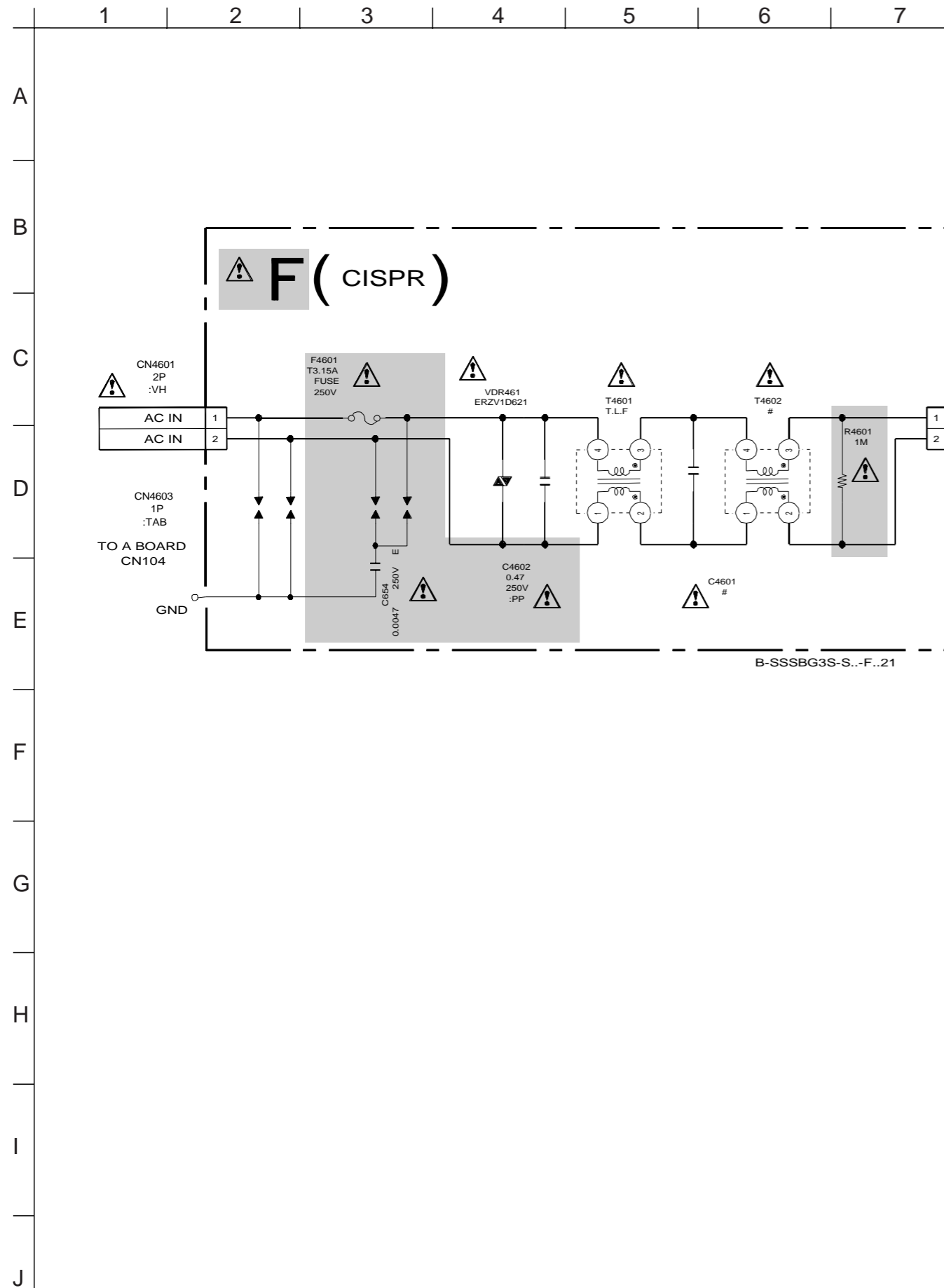
C3 [RGB OUT]

PRINTED WIRING BOARD

- C3 Board -



(4) Schematic Diagram of F board



B-SSSBG3S-S..F..21

PRINTED WIRING BOARD

F [CISPR]

- F Board -

