

IT-B1

SERVICE MANUAL

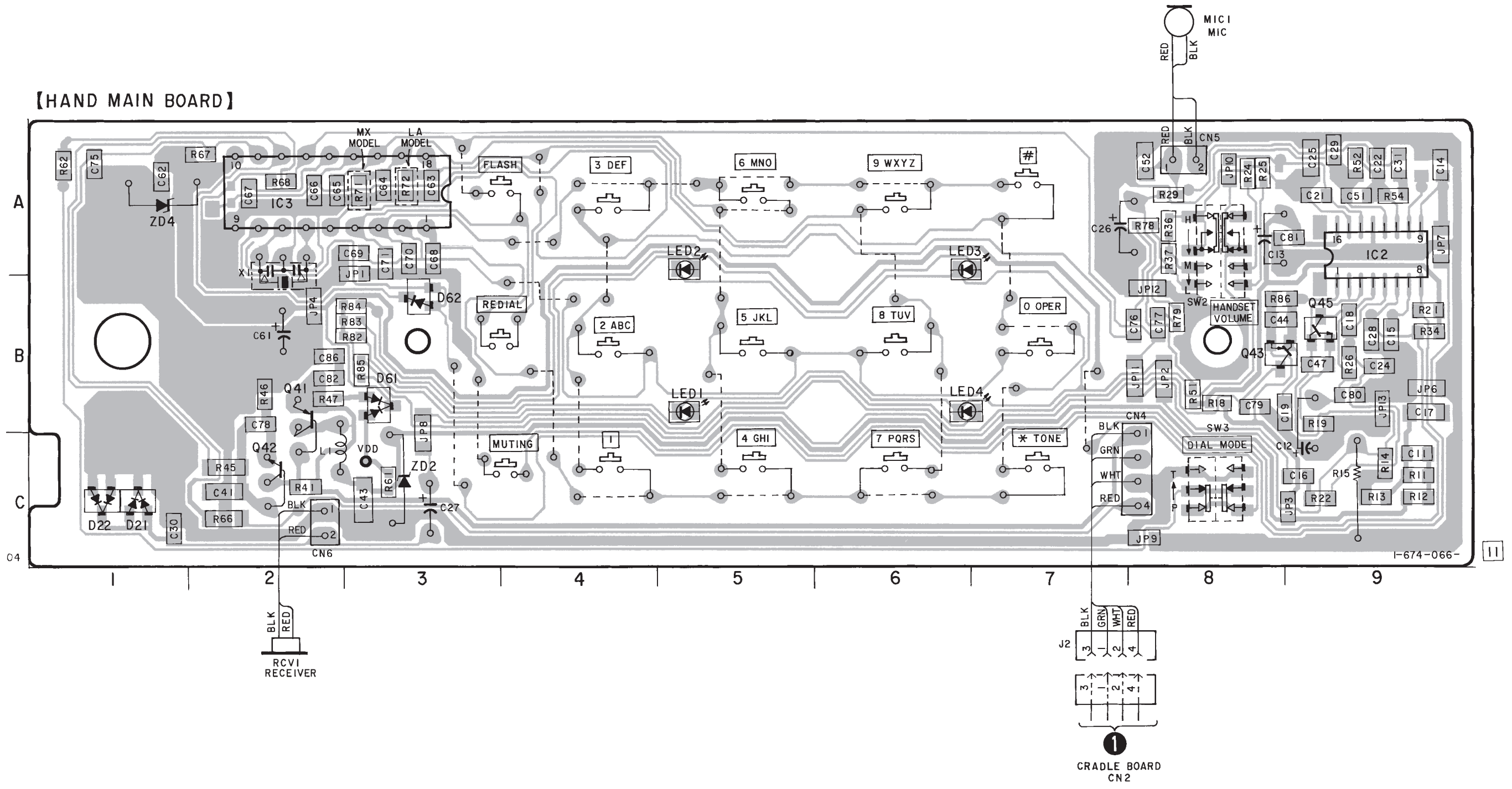
*Canadian Model
Central & South America Model*



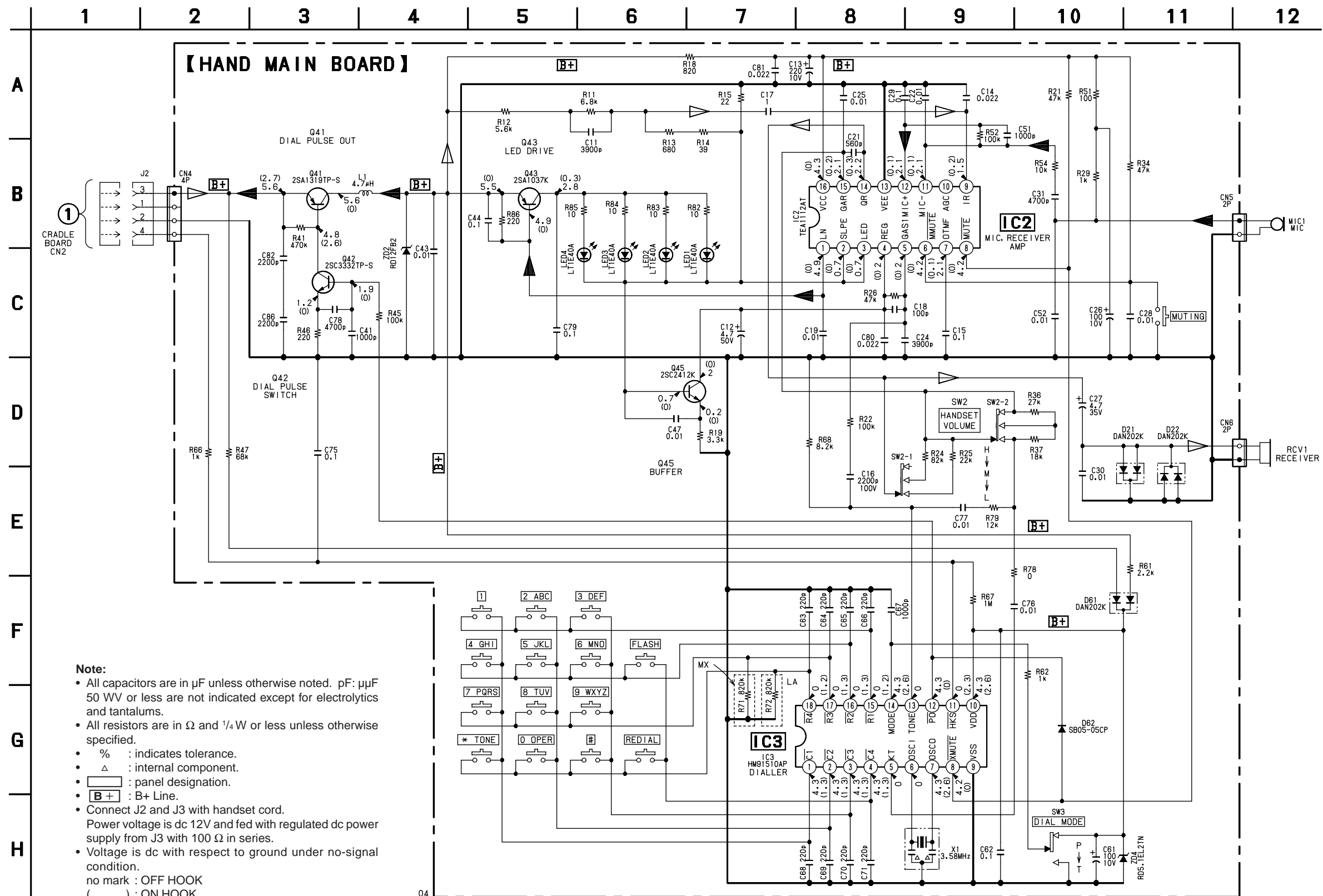
Photo: WHITE Type

SECTION 3
DIAGRAMS

3-1. PRINTED WIRING BOARD — HANDSET SECTION —



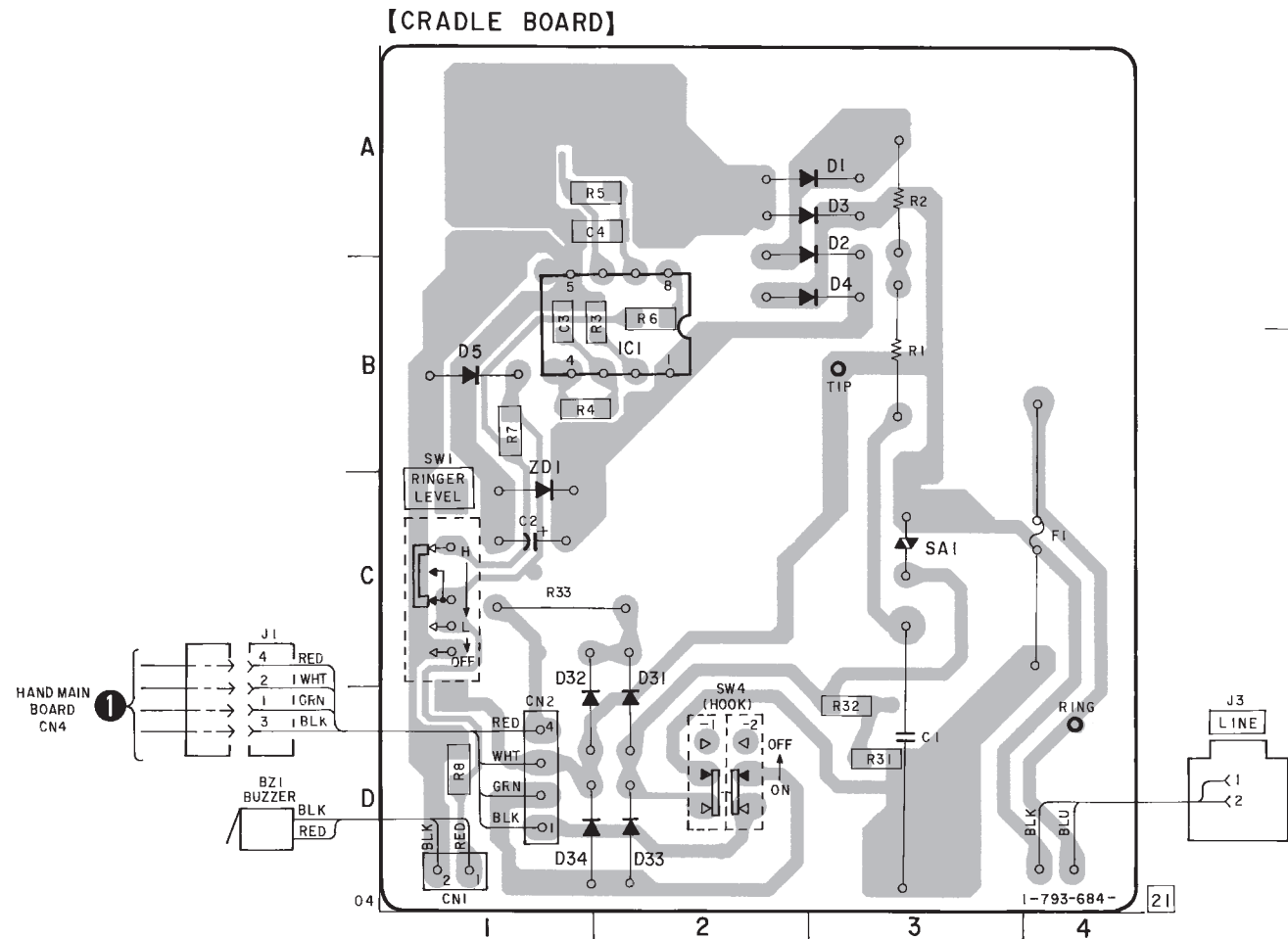
3-2. SCHEMATIC DIAGRAM — HANDSET SECTION — • Refer to page 7 for IC Block Diagrams.



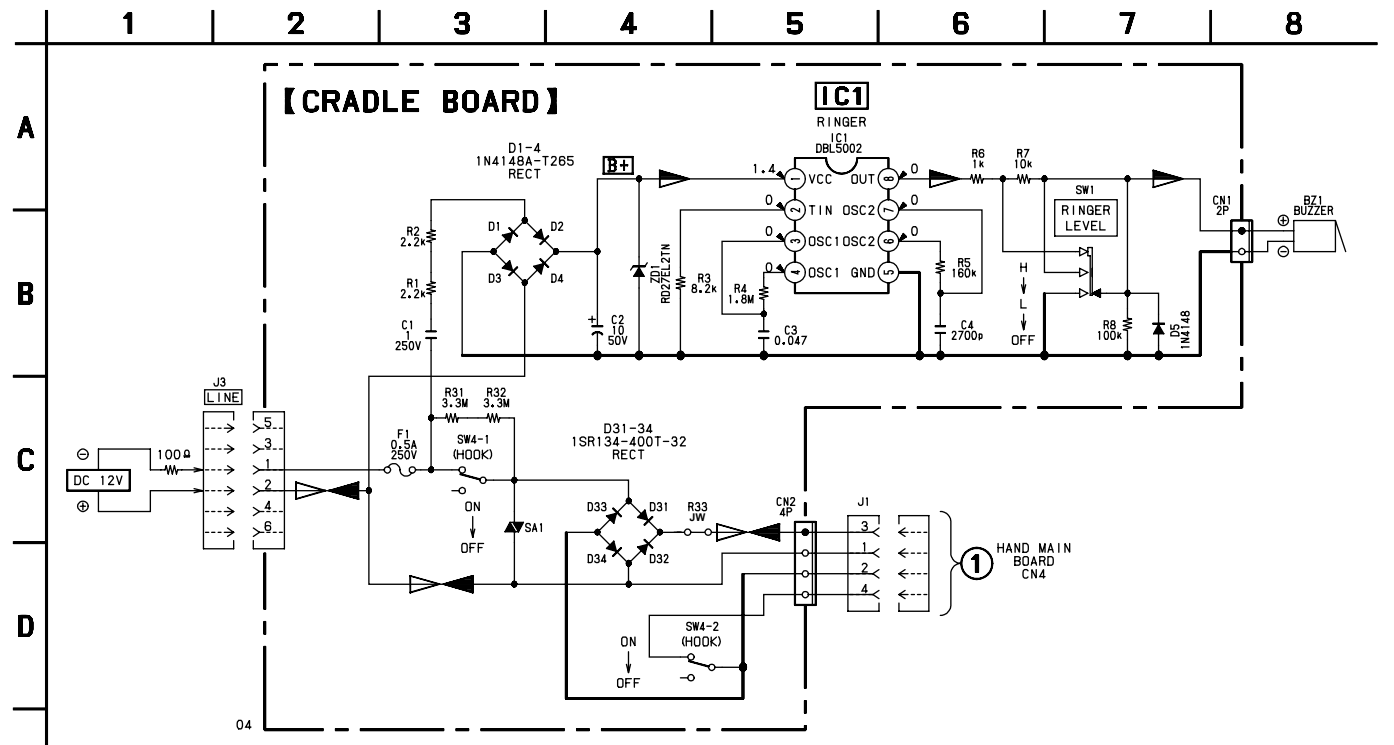
Note:

- All capacitors are in μF unless otherwise noted. pF : μF 50 WV or less are not indicated except for electrolytics and tantalums.
- All resistors are in Ω and $1/4\text{W}$ or less unless otherwise specified.
- % : indicates tolerance.
- Δ : internal component.
- [] : panel designation.
- B+ : B+ Line.
- Connect J2 and J3 with handset cord. Power voltage is dc 12V and fed with regulated dc power supply from J3 with 100 Ω in series.
- Voltage is dc with respect to ground under no-signal condition.
- no mark : OFF HOOK
- () : ON HOOK
- Voltages are taken with a VOM (Input impedance 10 M Ω). Voltage variations may be noted due to normal production tolerances.
- Signal path.
 - ◀ : RX (from TEL LINE)
 - ▶ : TX (to TEL LINE)
 - ◻ : bell
- Abbreviation
 - MX : Mexican model
 - LA : Latin American model

3-3. PRINTED WIRING BOARD — CRADLE SECTION —

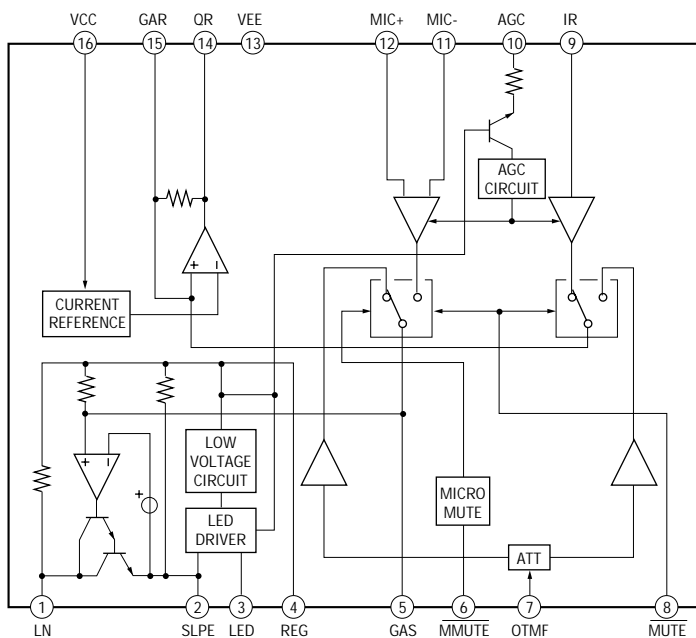


3-4. SCHEMATIC DIAGRAM — CRADLE SECTION —



Block Diagrams

IC2 TEA1112AT



IC3 HM91510AP

