

AD(0:17)

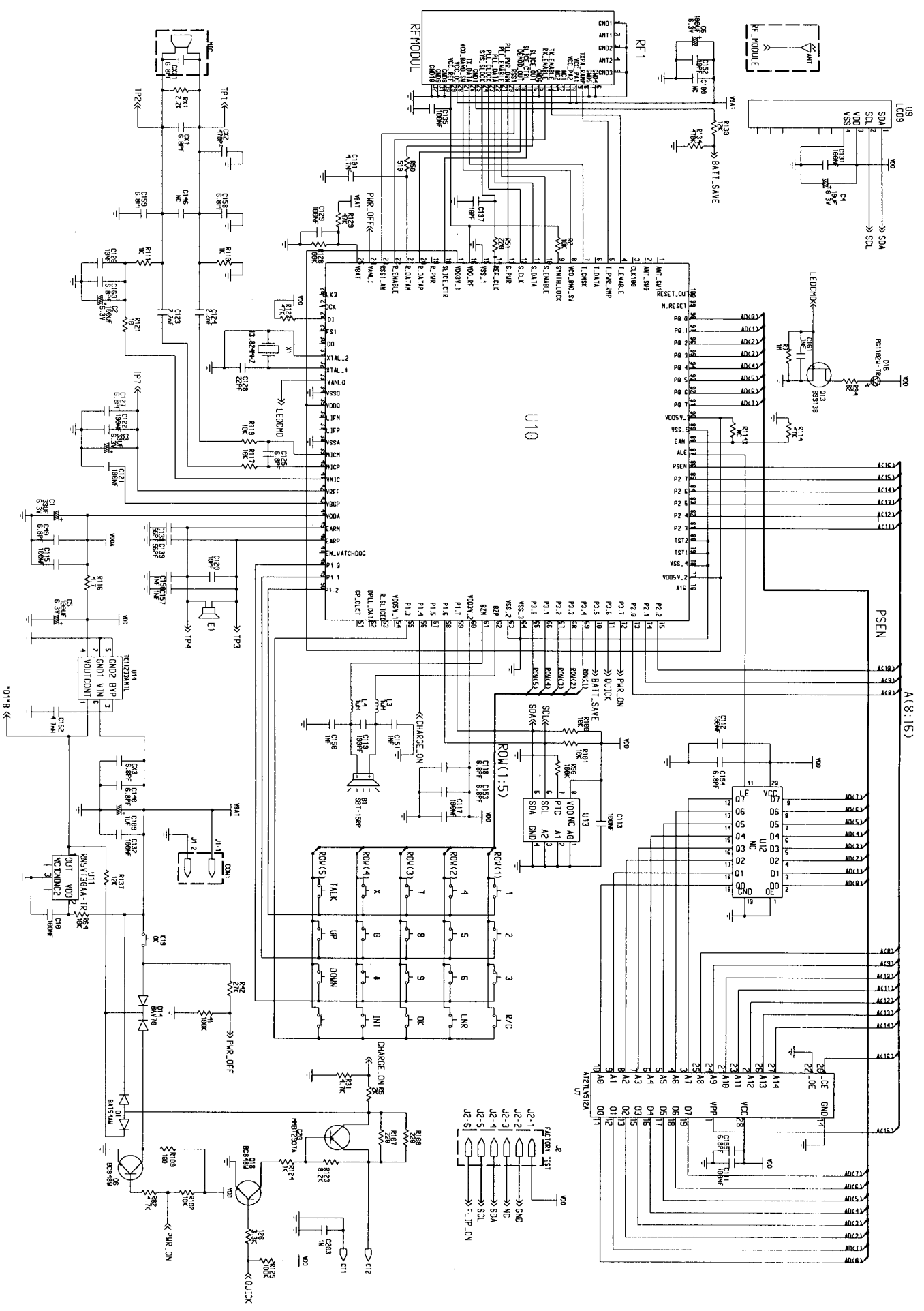
U10  
PCD5092

FACTORY TEST  
3.3V VDD  
PWR\_FAULT

5V VDD  
100nF

SH1-1  
SH2-1  
SH3-1  
SH4-1  
SH5-1  
SH6-1  
SH7-1  
SH8-1  
SH9-1  
SH10-1  
SH11-1  
SH12-1  
SH13-1  
SH14-1  
SH15-1  
SH16-1  
SH17-1  
SH18-1  
SH19-1  
SH20-1  
SH21-1  
SH22-1  
SH23-1  
SH24-1  
SH25-1  
SH26-1  
SH27-1  
SH28-1  
SH29-1  
SH30-1  
SH31-1  
SH32-1  
SH33-1  
SH34-1  
SH35-1  
SH36-1  
SH37-1  
SH38-1  
SH39-1  
SH40-1  
SH41-1  
SH42-1  
SH43-1  
SH44-1  
SH45-1  
SH46-1  
SH47-1  
SH48-1  
SH49-1  
SH50-1  
SH51-1  
SH52-1  
SH53-1  
SH54-1  
SH55-1  
SH56-1  
SH57-1  
SH58-1  
SH59-1  
SH60-1  
SH61-1  
SH62-1  
SH63-1  
SH64-1  
SH65-1  
SH66-1  
SH67-1  
SH68-1  
SH69-1  
SH70-1  
SH71-1  
SH72-1  
SH73-1  
SH74-1  
SH75-1  
SH76-1  
SH77-1  
SH78-1  
SH79-1  
SH80-1  
SH81-1  
SH82-1  
SH83-1  
SH84-1  
SH85-1  
SH86-1  
SH87-1  
SH88-1  
SH89-1  
SH90-1  
SH91-1  
SH92-1  
SH93-1  
SH94-1  
SH95-1  
SH96-1  
SH97-1  
SH98-1  
SH99-1  
SH100-1

5V VDD  
3.3V VDD  
PWR\_FAULT  
FACTORY TEST  
SH1-1  
SH2-1  
SH3-1  
SH4-1  
SH5-1  
SH6-1  
SH7-1  
SH8-1  
SH9-1  
SH10-1  
SH11-1  
SH12-1  
SH13-1  
SH14-1  
SH15-1  
SH16-1  
SH17-1  
SH18-1  
SH19-1  
SH20-1  
SH21-1  
SH22-1  
SH23-1  
SH24-1  
SH25-1  
SH26-1  
SH27-1  
SH28-1  
SH29-1  
SH30-1  
SH31-1  
SH32-1  
SH33-1  
SH34-1  
SH35-1  
SH36-1  
SH37-1  
SH38-1  
SH39-1  
SH40-1  
SH41-1  
SH42-1  
SH43-1  
SH44-1  
SH45-1  
SH46-1  
SH47-1  
SH48-1  
SH49-1  
SH50-1  
SH51-1  
SH52-1  
SH53-1  
SH54-1  
SH55-1  
SH56-1  
SH57-1  
SH58-1  
SH59-1  
SH60-1  
SH61-1  
SH62-1  
SH63-1  
SH64-1  
SH65-1  
SH66-1  
SH67-1  
SH68-1  
SH69-1  
SH70-1  
SH71-1  
SH72-1  
SH73-1  
SH74-1  
SH75-1  
SH76-1  
SH77-1  
SH78-1  
SH79-1  
SH80-1  
SH81-1  
SH82-1  
SH83-1  
SH84-1  
SH85-1  
SH86-1  
SH87-1  
SH88-1  
SH89-1  
SH90-1  
SH91-1  
SH92-1  
SH93-1  
SH94-1  
SH95-1  
SH96-1  
SH97-1  
SH98-1  
SH99-1  
SH100-1



A(8:15)

U10

ROM(1-5)

J2-1

J2-2

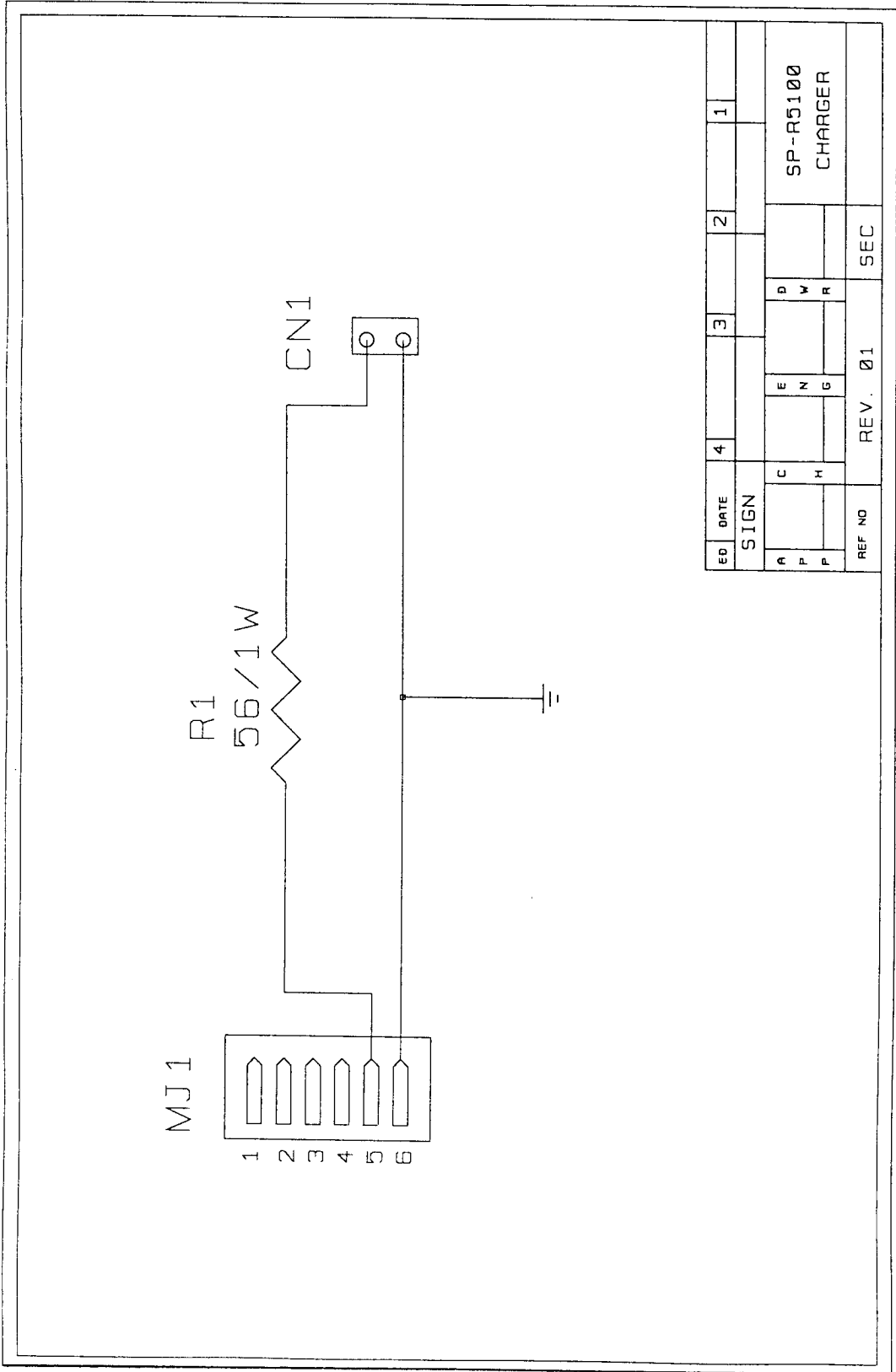
J2-3

J2-4

J2-5

J2-6

7. CHARGER



ED	DATE	4	3	2	1
SIGN					
A	C	E	D	SP-R5100	
P	H	N	W	CHARGER	
P		G	R		
REF NO	REV. 01			SEC	