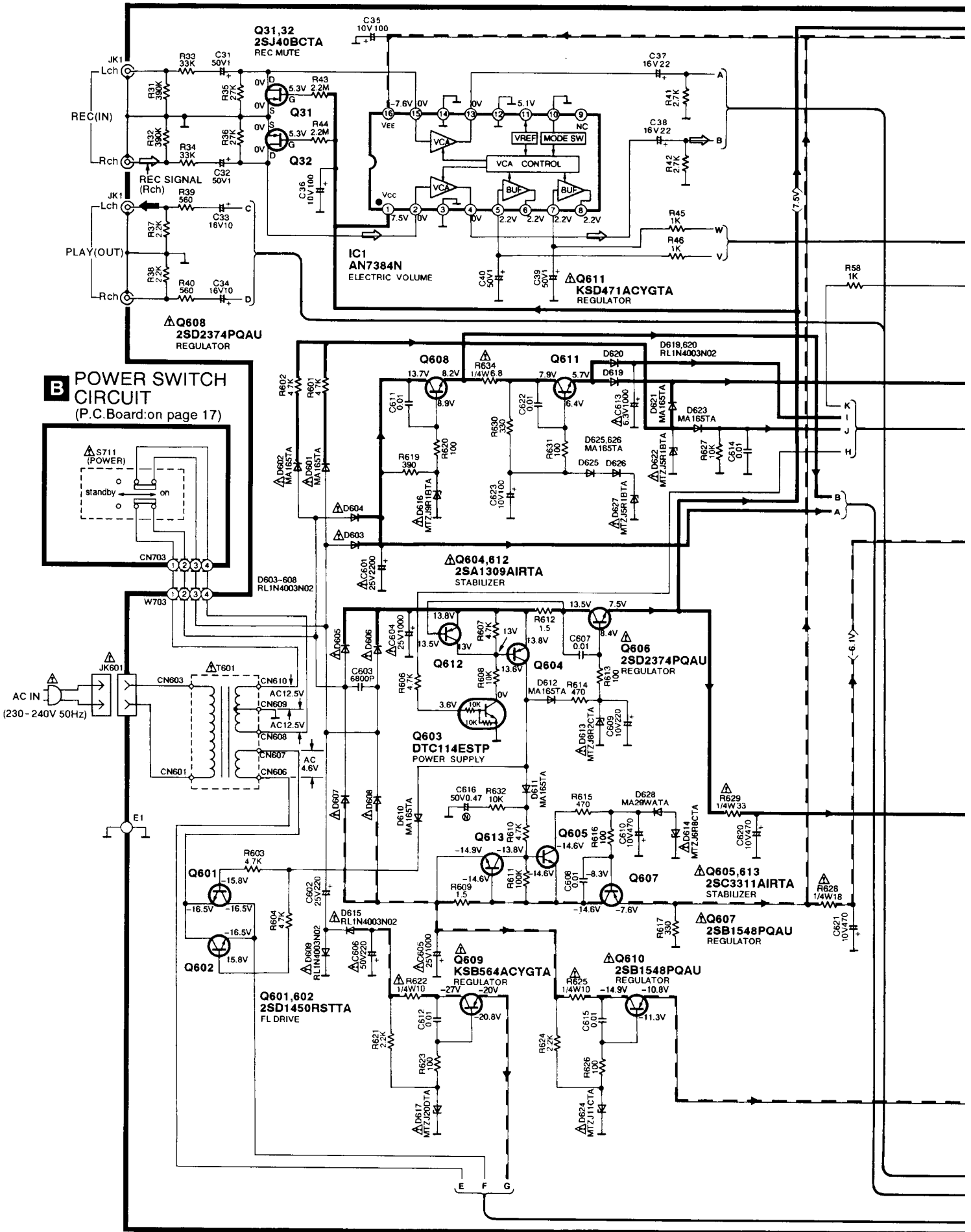
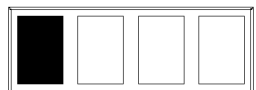
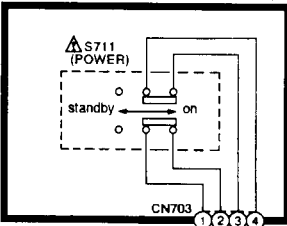
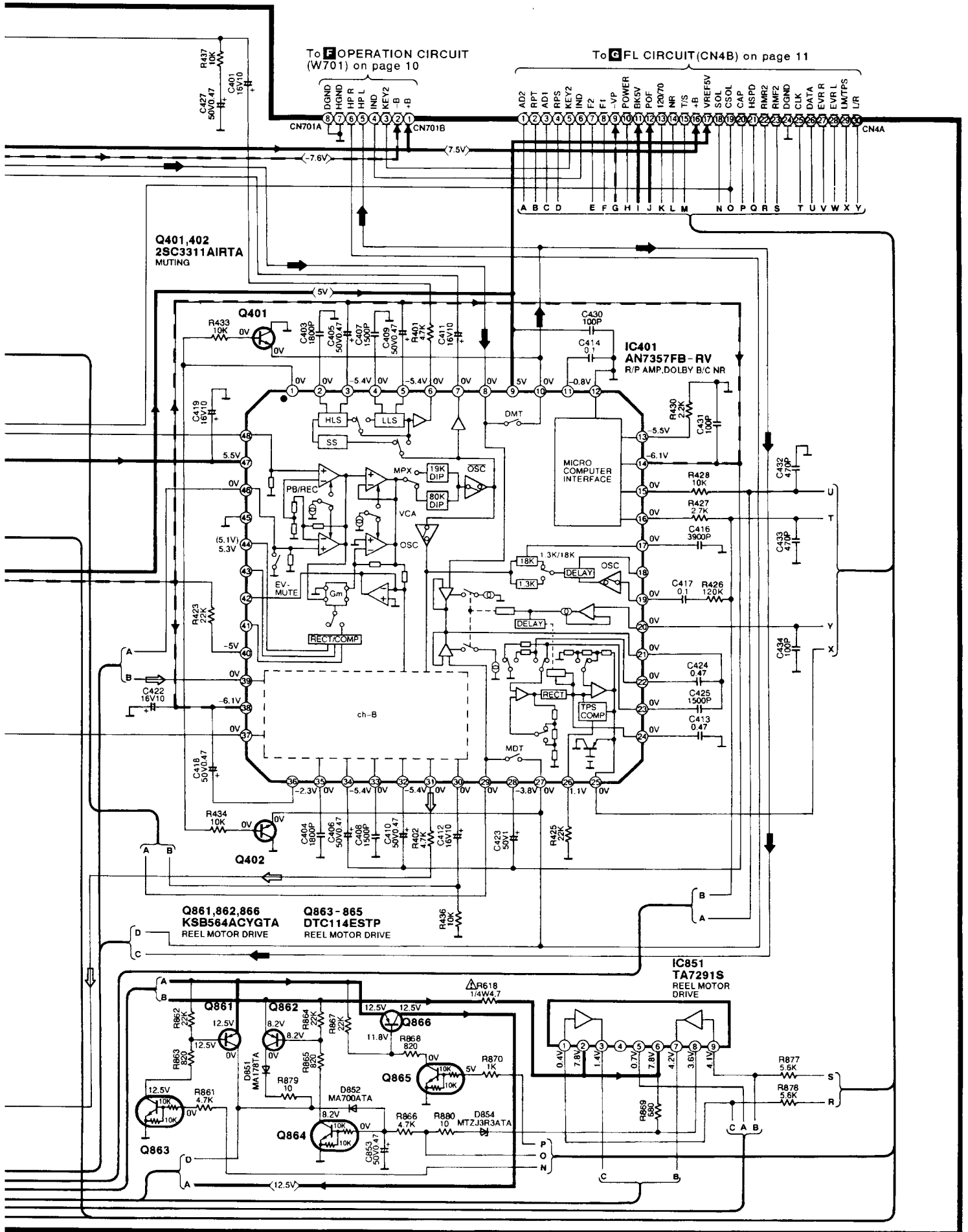


A MAIN CIRCUIT (P.C.Board: on page 18)

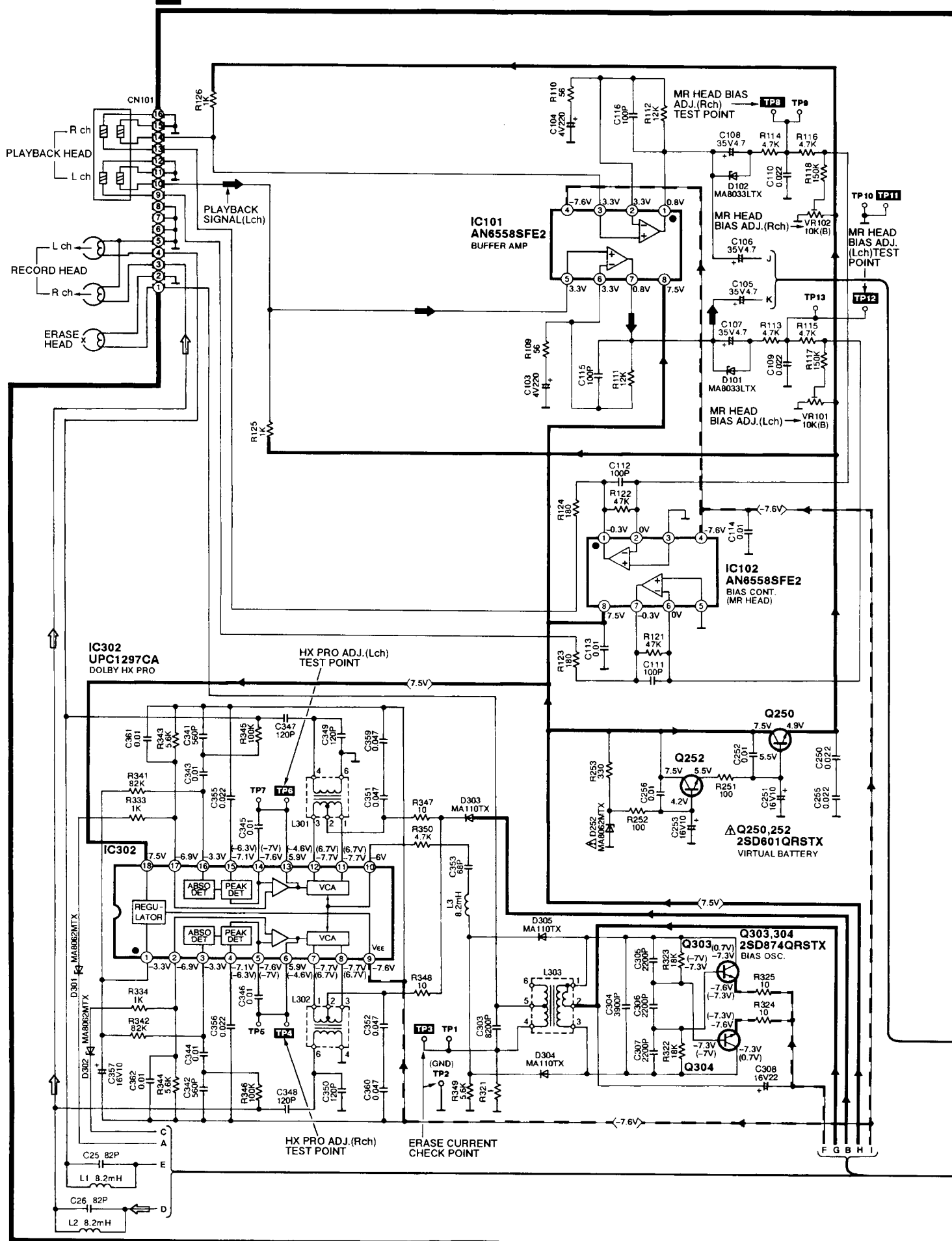


B POWER SWITCH CIRCUIT (P.C.Board: on page 17)

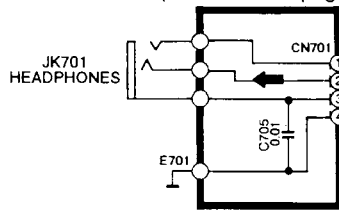




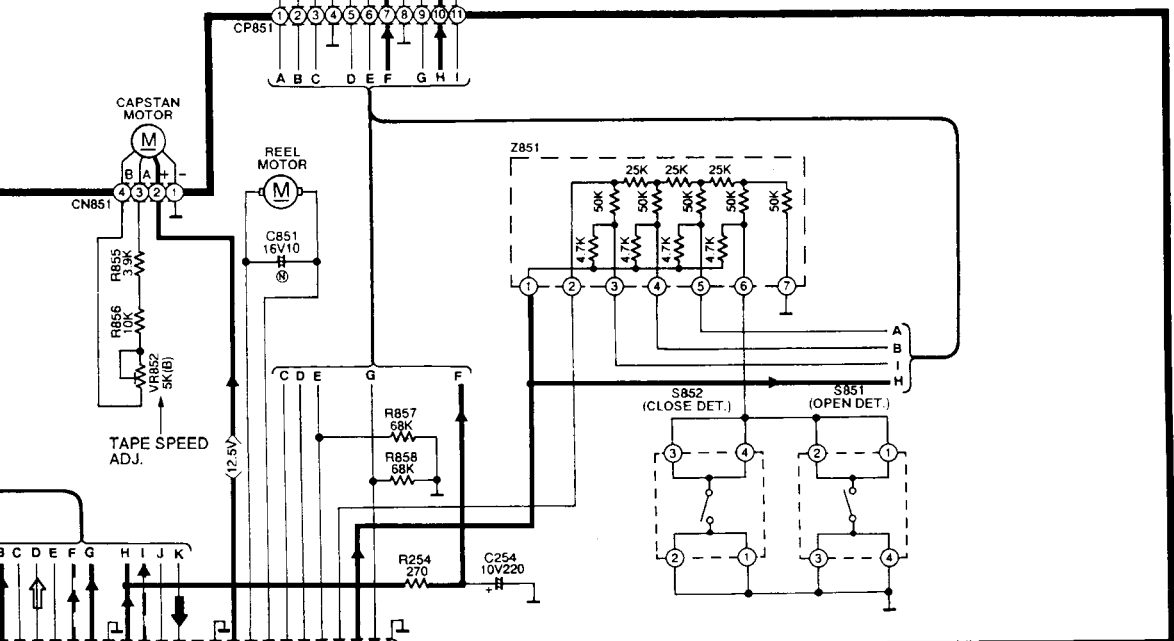
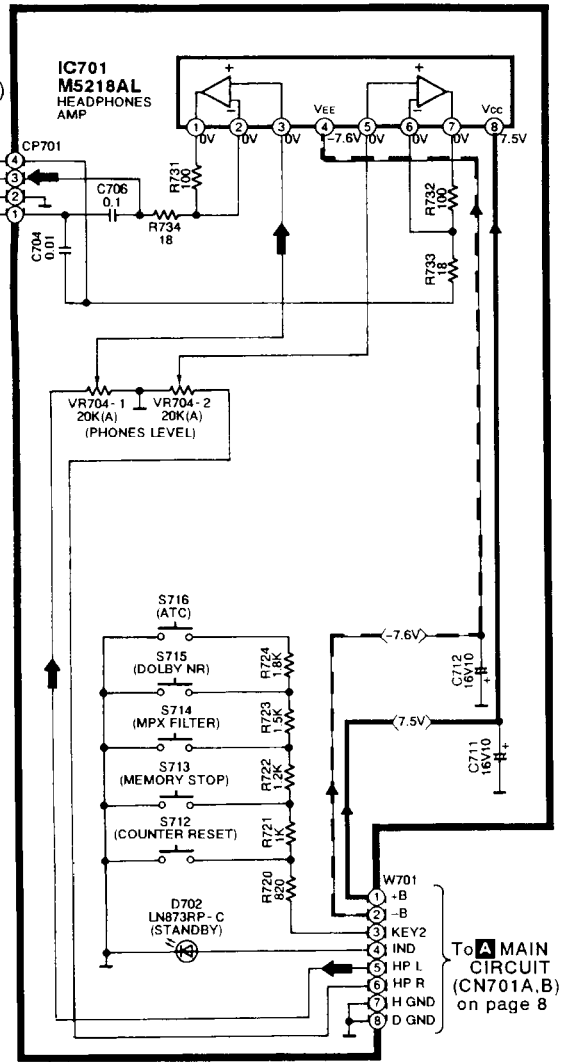
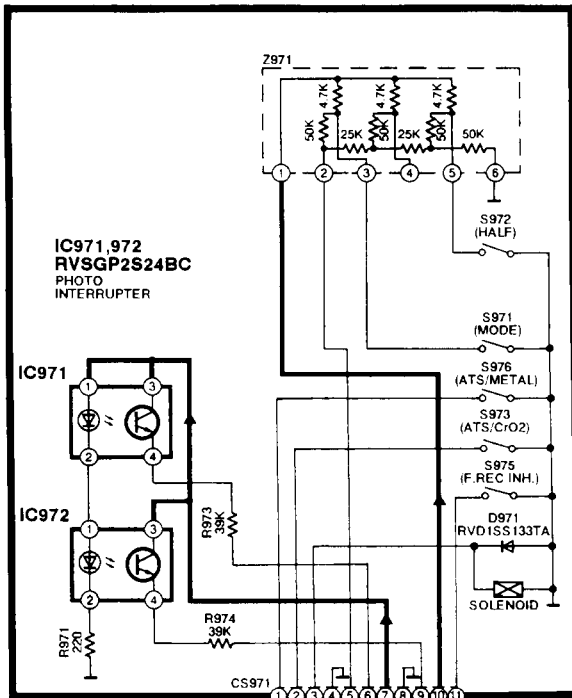
C MOTOR CIRCUIT (P.C.Board: on page 16)



E HEADPHONES JACK CIRCUIT
(P.C.Board: on page 17)



D MECHANISM CIRCUIT (P.C.Board: on page 16)



To **A** MAIN CIRCUIT (CN3A) on page 6



G FL CIRCUIT (P.C.Board: on page 17)

