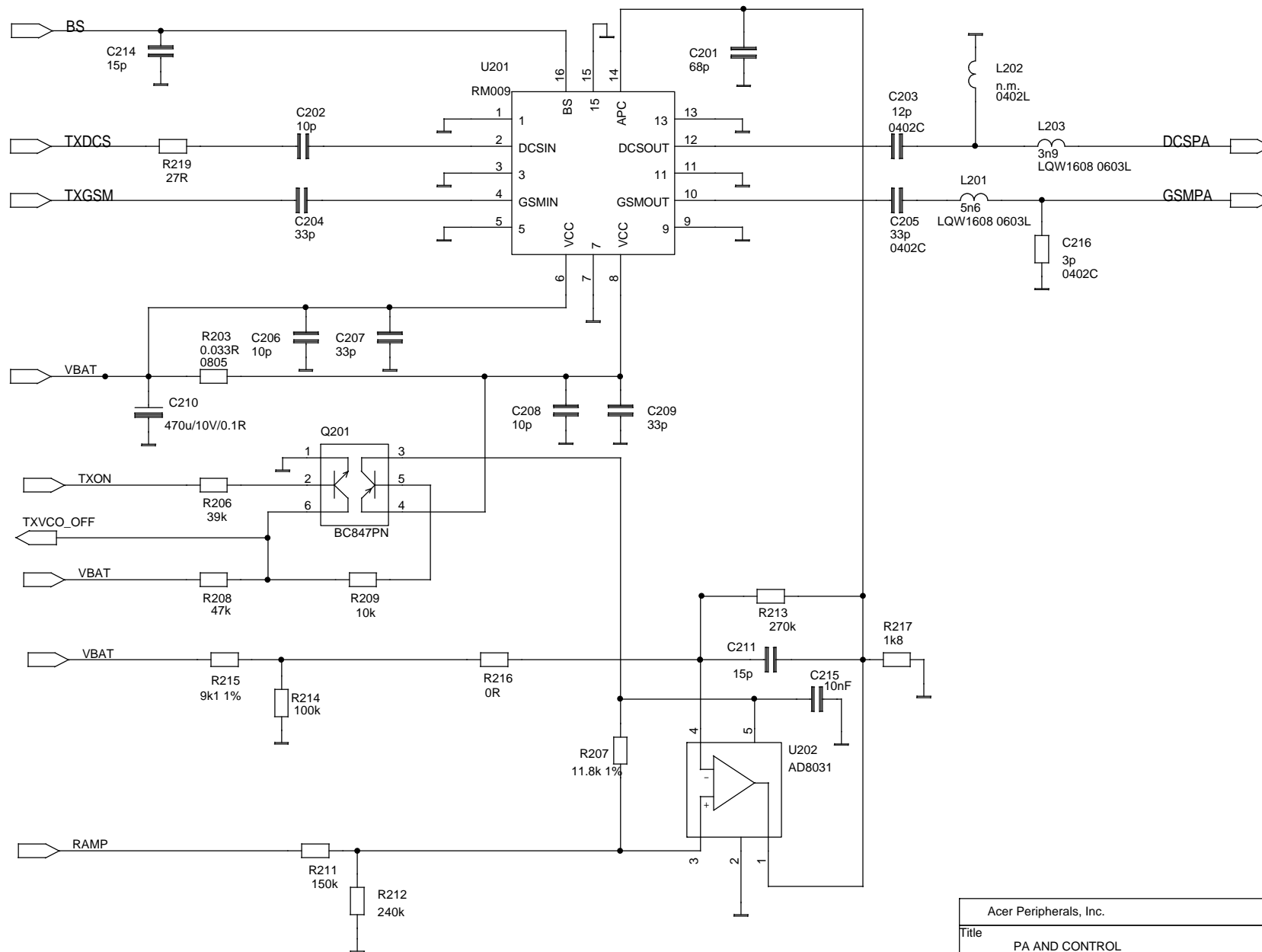
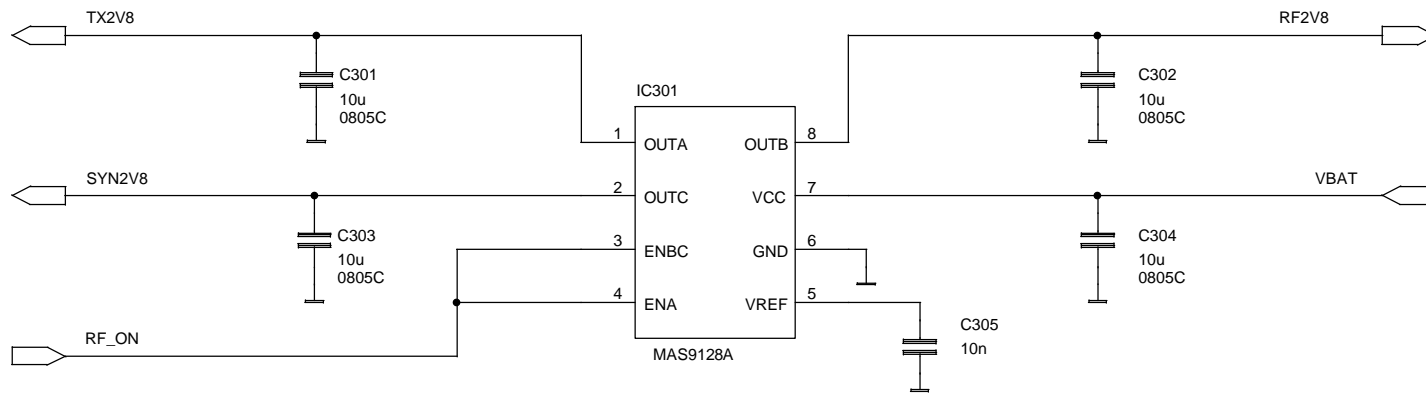


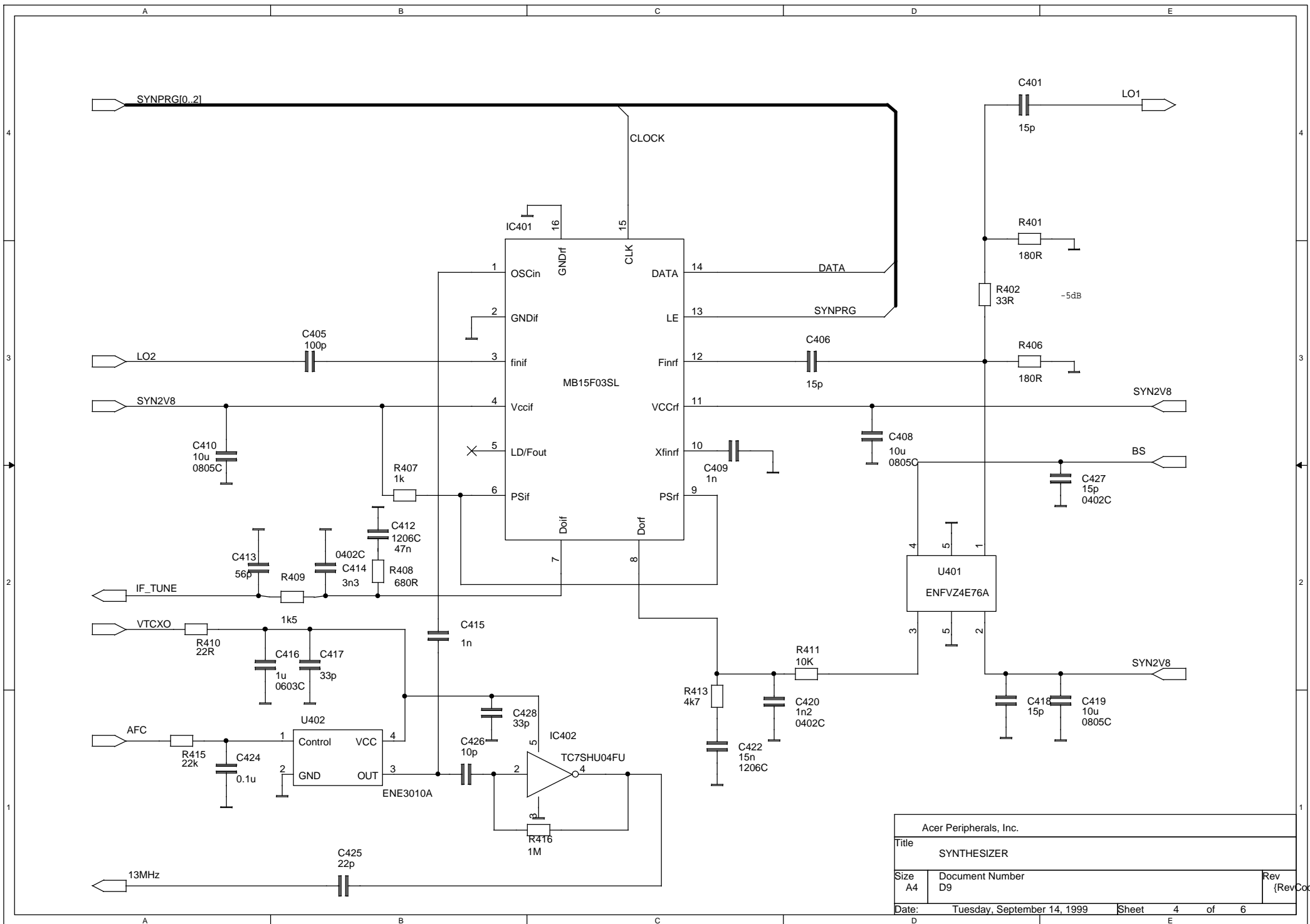
Acer Peripherals, Inc.		
Title MAIN		
Size A4	Document Number D9	Rev (Rev Code)
Date: D	Tuesday, September 14, 1999	Sheet 1 of 6 E



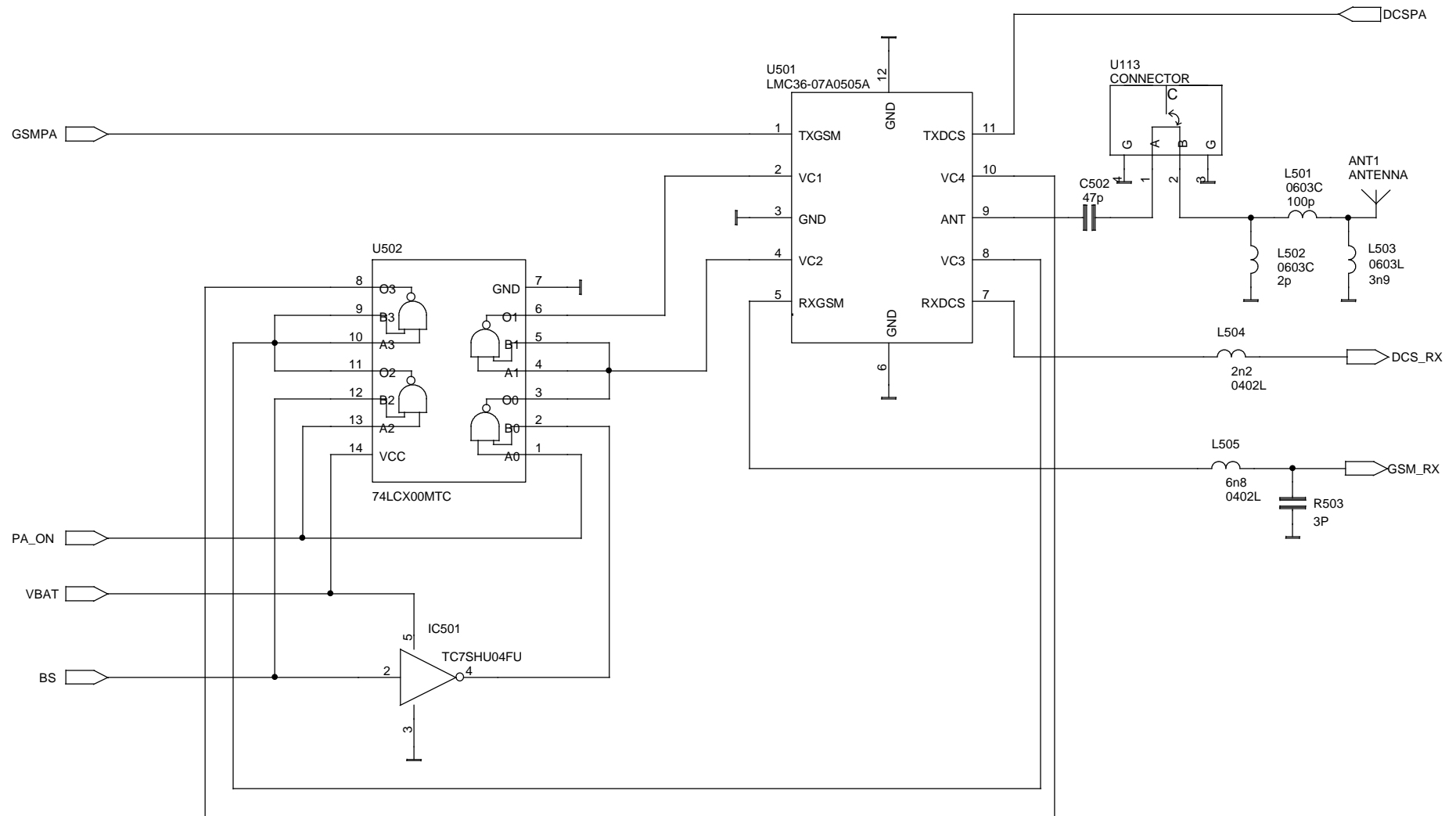
Acer Peripherals, Inc.		
Title PA AND CONTROL		
Size A4	Document Number D9	Rev (RevCode)
Date: Wednesday, October 06, 1999	Sheet 2	of 6



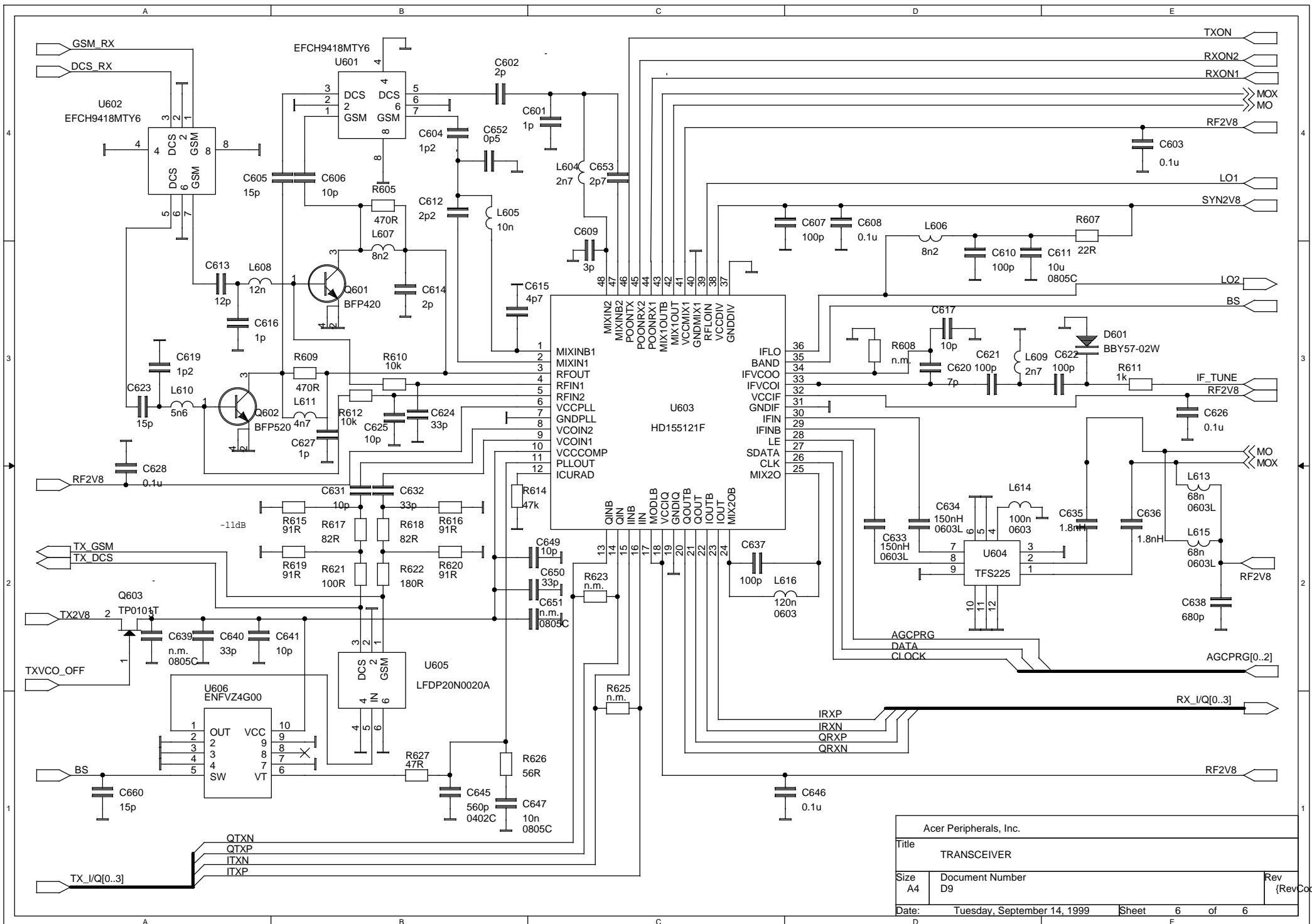
Acer Peripherals, Inc.		
Title POWER SUPPLY		
Size A4	Document Number D9	Rev (RevCode)
Date: D	Thursday, August 12, 1999	Sheet 3 of 6 E



Acer Peripherals, Inc.	
Title SYNTHESIZER	
Size A4	Document Number D9
Date: Tuesday, September 14, 1999	Rev (RevCode)
Sheet 4	of 6



Acer Peripherals, Inc.		
Title T/R SWITCH		
Size A4	Document Number D9	Rev (RevCode)
Date: Tuesday, September 14, 1999	Sheet 5	of 6



Acer Peripherals, Inc.		
Title TRANSCIEVER		
Size A4	Document Number D9	Rev (RevCode)
Date: Tuesday, September 14, 1999	Sheet 6	of 6