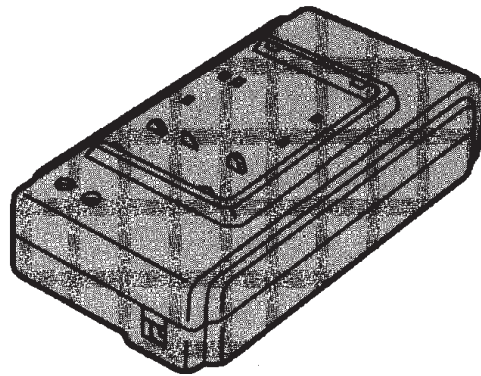


# Service Manual

AC Adaptor

## VSK0317C



**SPECIFICATIONS\ТЕХНИЧЕСКИЕ ХАРАКТЕРИСТИКИ**  
**SPECIFICATIONS TABLE\СРАВНИТЕЛЬНАЯ ТАБЛИЦА**  
**DISASSEMBLY PROCEDURES\МЕТОДИКА РАЗБОРКИ**  
**AC ADAPTOR SCHEMATIC DIAGRAM\ПРИНЦИПИАЛЬНАЯ СХЕМА**  
**АДАПТЕРА ПЕРЕМЕННОГО ТОКА**  
**EXPLODED VIEW\СБОРОЧНЫЙ ЧЕРТЕЖ**  
**MECHANICAL REPLACEMENT PARTS LIST\СПИСОК МЕХАНИЧЕСКИХ**  
**ЗАПАСНЫХ ЧАСТЕЙ**  
**ELECTRICAL REPLACEMENT PARTS LIST\СПИСОК ЭЛЕКТРИЧЕСКИХ**  
**ЗАПАСНЫХ ЧАСТЕЙ**

# Panasonic

## SPECIFICATIONS

ITEM	SPECIFICATION
POWER	Source: AC 100~240 V, 50/60Hz (Automatic Voltage Adjustment)
	Consumption: Approx. 25 W
	Output: DC 6 V, 8.5 W (Movie Camera Operation) DC 4.8 V, 1.2 A (Battery Pack Charging)
DIMENSIONS	72 (W) × 39 (H) × 143 (D) mm
WEIGHT	Approx. 210 g (Without AC Cable)

Weight and dimensions shown are approximate.  
Specifications are subject to change without notice.

**CAUTION: FOR USE WITH VHS-C/S-VHS-C VIDEO MOVIE, MODEL NV-A3, NV-R11, NV-R33, NV-R55 series.**  
**WARNING: TO PREVENT FIRE OR SHOCK HAZARD, DO NOT EXPOSE THIS EQUIPMENT TO RAIN OR MOISTURE.**

## INTRODUCTION 1

This AC Adaptor is Standard Accessorie. There are two type AC CORD depend on countries. One is for Hong Kong & United Kingdom, other one is for all other country. The following tabel shows the difference between the version.

Example		
Model-No for Movie(Version)	NV-A3ENH/B	NV-A3A/E/EN
AC CORD for AC Adaptor	VJA0733	VJA0664

NV-A3ENH for Hong Kong.                      NV-A3B for United Kingdom.  
NV-A3A for Oceania.                              NV-A3E for Europe.  
NV-A3EN for Midle East & Asia.

## INTRODUCTION 2

Caution for AC CORD (VJA0733 type)

### **Information for Your Safety**

#### **IMPORTANT**

YOUR ATTENTION IS DRAWN TO THE FACT THAT RECORDING OF PRE-RECORDED TAPES OR DISCS OR OTHER PUBLISHED OR BROADCAST MATERIAL MAY INFRINGE COPYRIGHT LAWS.

#### **WARNING**

TO REDUCE THE RISK OF FIRE OR SHOCK HAZARD, DO NOT EXPOSE THIS EQUIPMENT TO RAIN OR MOISTURE.

#### **CAUTION**

TO REDUCE THE RISK OF FIRE OR SHOCK HAZARD AND ANNOYING INTERFERENCE, USE THE RECOMMENDED ACCESSORIES ONLY.

#### **FOR YOUR SAFETY**

■ DO NOT REMOVE THE OUTER COVER. To prevent electric shock, do not remove the cover. No user serviceable parts inside. Refer servicing to qualified service personnel.


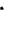
### **Caution for AC mains lead**

For your safety, please read the following text carefully.

This appliance is supplied with a moulded three-pin mains plug for your safety and convenience.

A 5-ampere fuse is fitted in this plug.

Should the fuse need to be replaced please ensure that the replacement fuse has a rating of 5 amperes and it is approved by ASTA or BSI to BS1362.

Check for the ASTA mark  or the BSI mark  on the body of the fuse.

If the plug contains a removable fuse cover you must ensure that it is refitted when the fuse is replaced.

If you lose the fuse cover, the plug must not be used until a replacement cover is obtained. A replacement fuse cover can be purchased from your local Panasonic Dealer.

IF THE FITTED MOULDED PLUG IS UNSUITABLE FOR THE SOCKET OUTLET IN YOUR HOME THEN THE FUSE SHOULD BE REMOVED AND THE PLUG CUT OFF AND DISPOSED OF SAFELY. THERE IS A DANGER OF SEVERE ELECTRICAL SHOCK IF THE CUT OFF PLUG IS INSERTED INTO ANY 13-AMPERE SOCKET.

## 2. SPECIFICATIONS TABLE

This chart shows specifications for 4.8 Volt type AC-Adaptor.  
The most significant part is charging time for battery.

Comparison Chart for 4.8 Volt AC Adaptor

Model No.		VW-AS4	VSK0305	VSK0317	VSK0317(C)
ITEM					
SVC MNL ORDER-NBR		VMD9304M117	VMD9312M137	VMD9406M125	VMD9501M104
Power consumption		Approx. 25W	Approx. 18W	Approx. 25W	Approx. 25W
DC Output	(Movie)	6V 11.8W(VTR)	6V 7W(VTR)	6V 8.5W(VTR)	6V 8.5W(VTR)
	(Batt. pack charging)	4.8V 1.6A	4.8V 0.8A	4.8V 1.2A	4.8V 1.2A
Charging Time	Standard	Approx 50 min.	Approx 90 min.	Approx 60 min.	Approx 60 min.
	Accessory	Approx 50 min.	Approx 110 min.	Approx 65 min.	Approx 65 min.
	VW-VBS10E	Approx 100 min.	Approx 220 min.	Approx 130 min.	Approx 130 min.
	VW-VBS20E	Approx 60 min.	Approx 150 min.	Approx 80 min.	Approx 80 min.
	VW-VBH20E	Approx 120 min.	Approx 300 min.	Approx 160 min.	Approx 160 min.

Note:

Due to limited supplies, VSK0305, VSK0317, VSK0317C are only in the Movie Package.  
(Standard Accessories)  
Model VW-AS4 will be supplied as replacement accessory in all cases.

## 3. DISASSEMBLY PROCEDURES

Remove the Top Case.

- (1) Remove the 2 screws.
- (2) Unlock the 4 Locking portions.
- (3) Remove the Top Case.

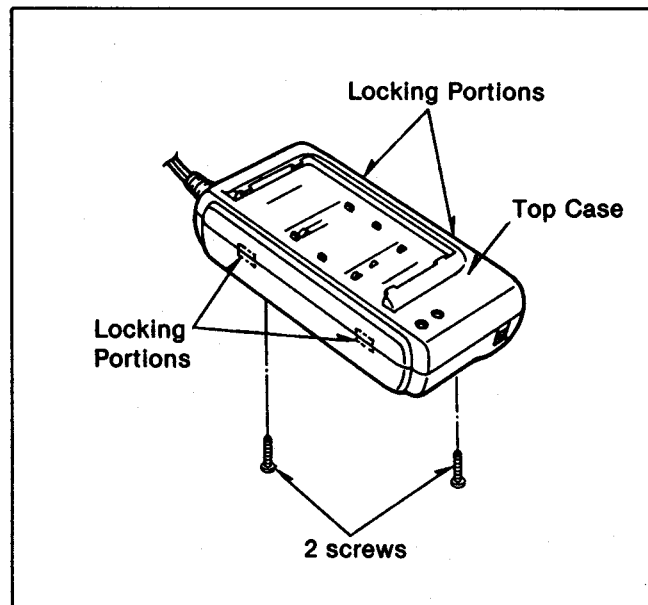
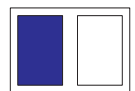
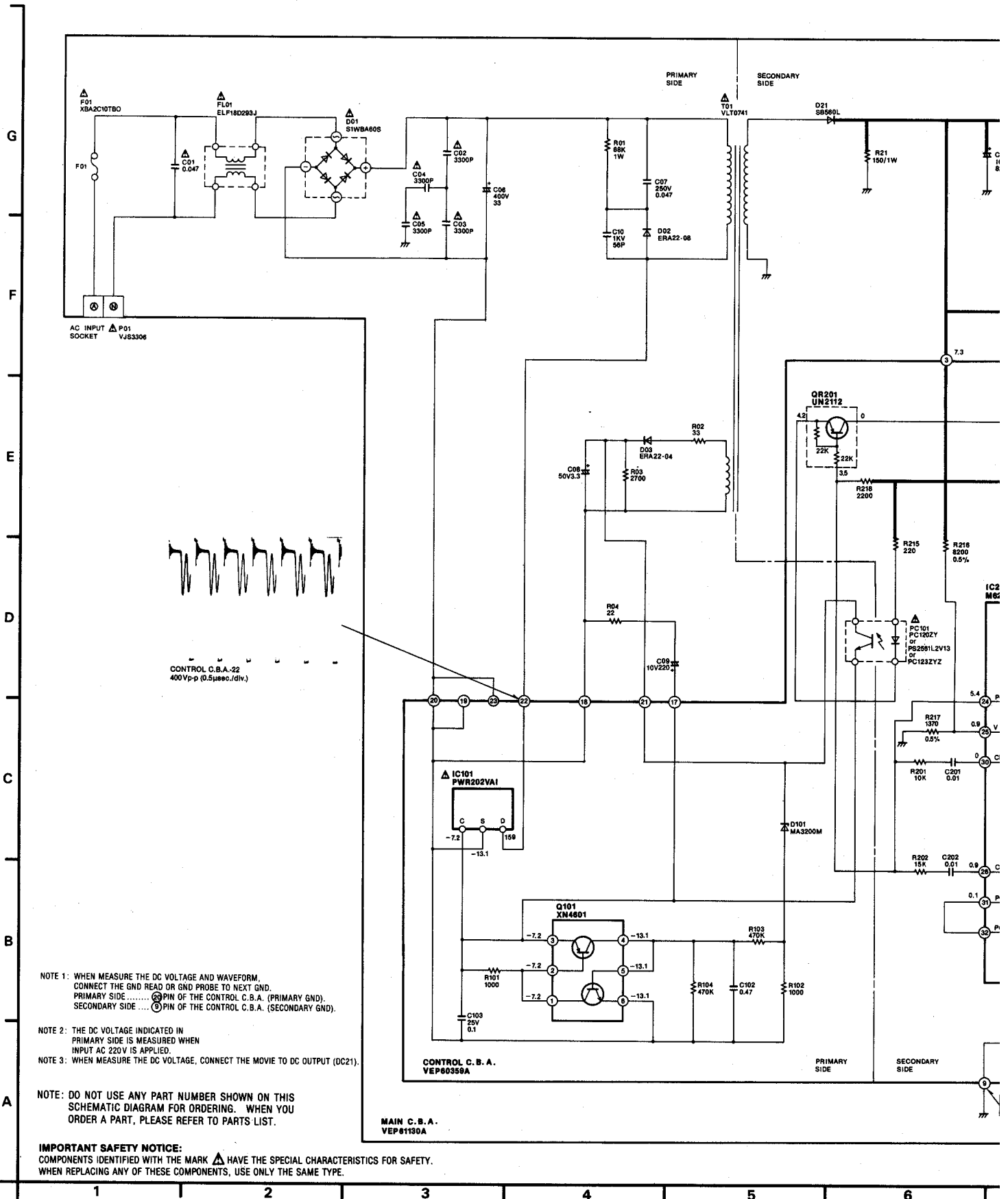
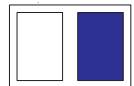
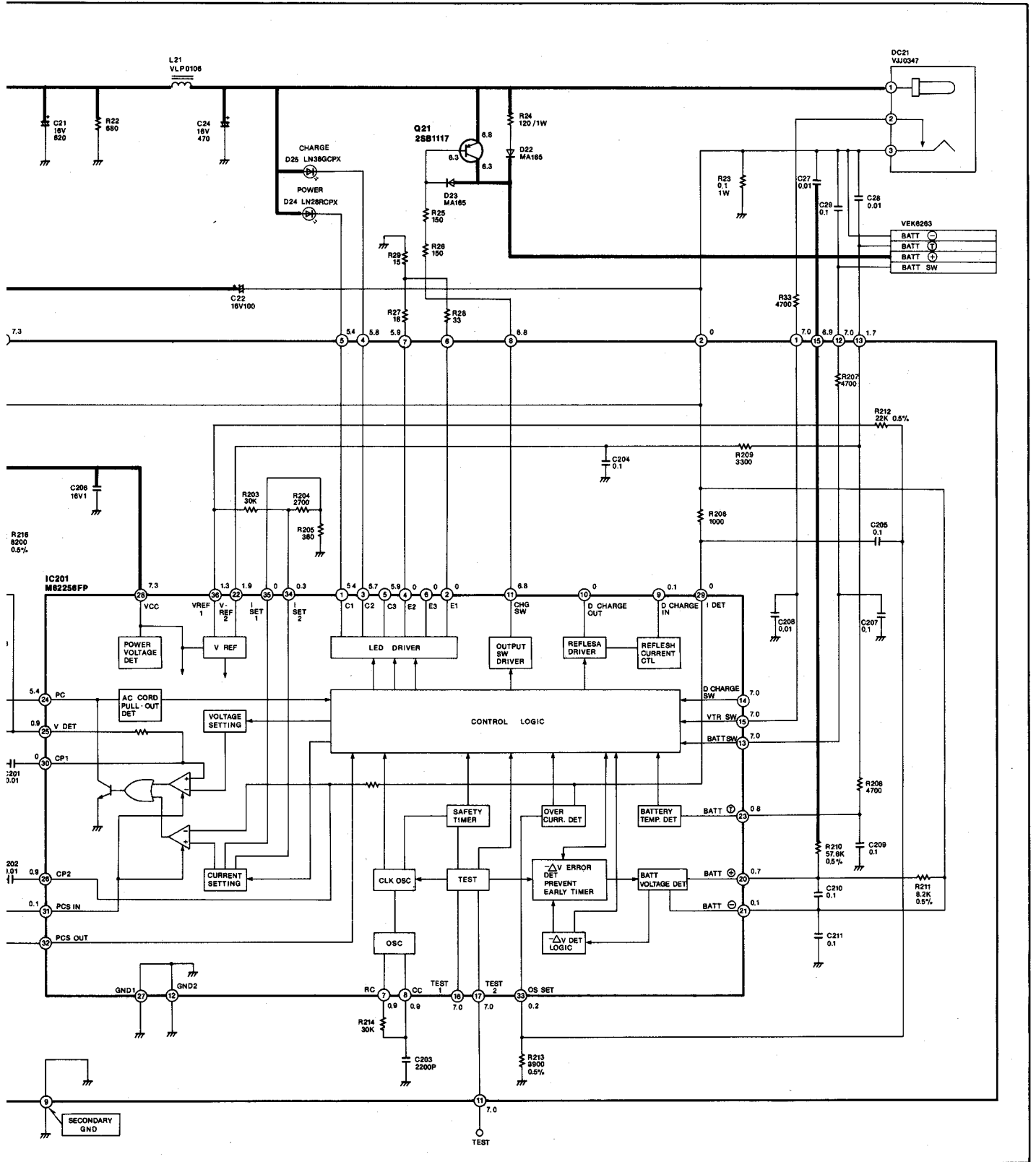


Fig. D1

# 4. AC ADAPTOR SCHEMATIC DIAGRAM





# 6. EXPLODED VIEW

