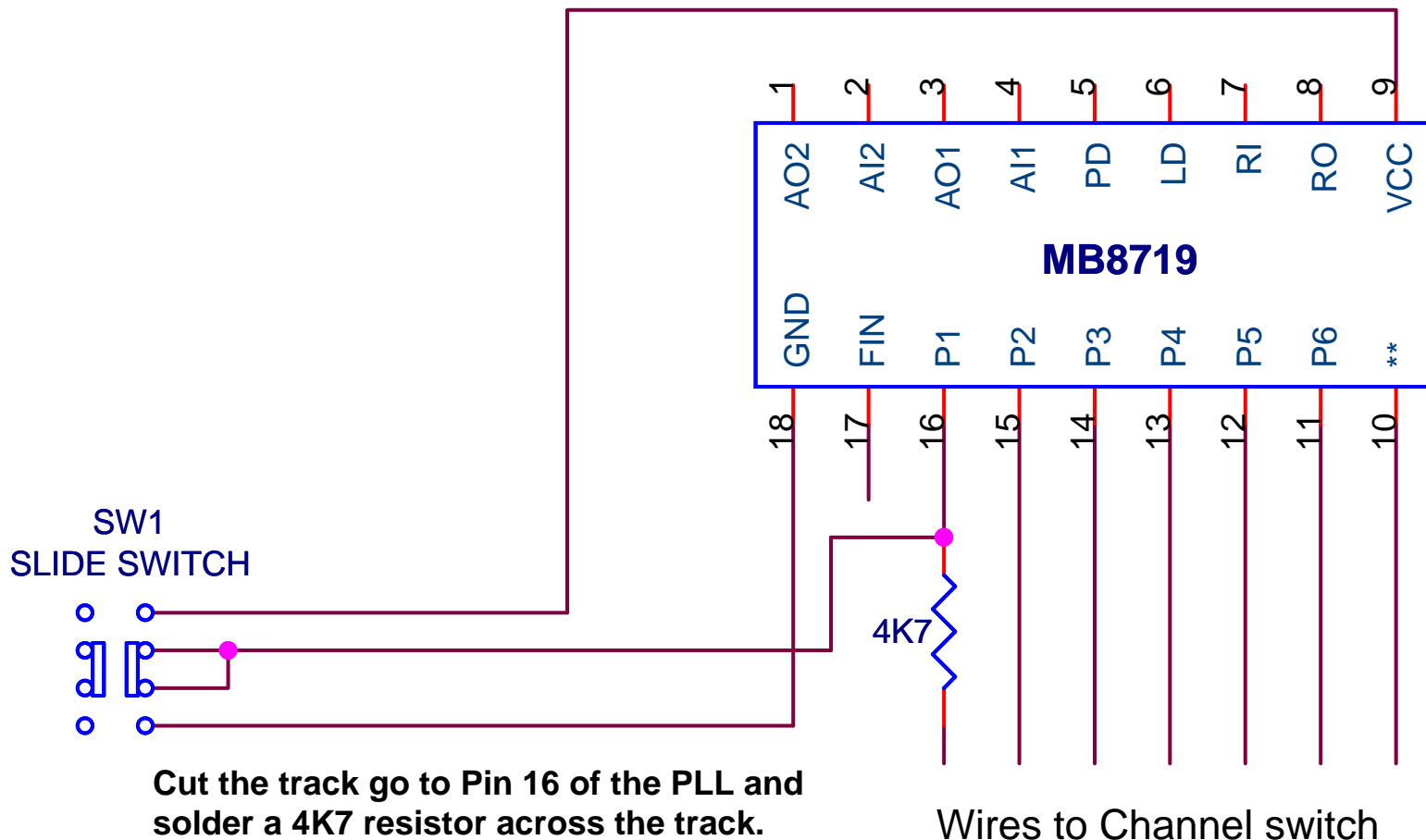


You can use any slide switch like SWR/CAL/POWER or On-Off-On



DRAWN BY: Rick Jackson Euro Radio Co

Title

MB8719 10Kc Jump

Size

Document Number
MB8719_10K_JUMP.SCH

Rev
1.2

Date:

Wednesday, May 09, 2007

Sheet

1

of

1